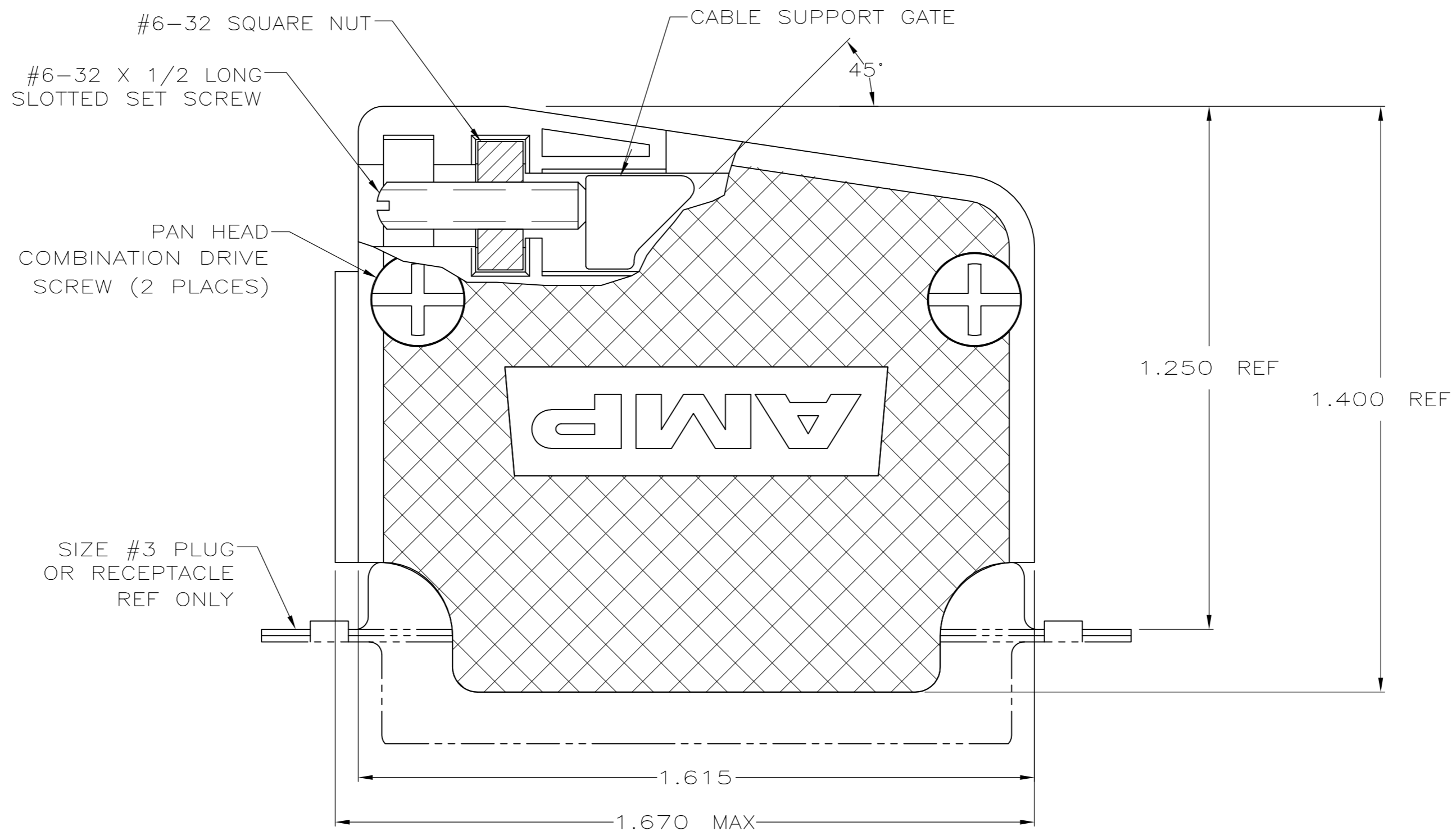
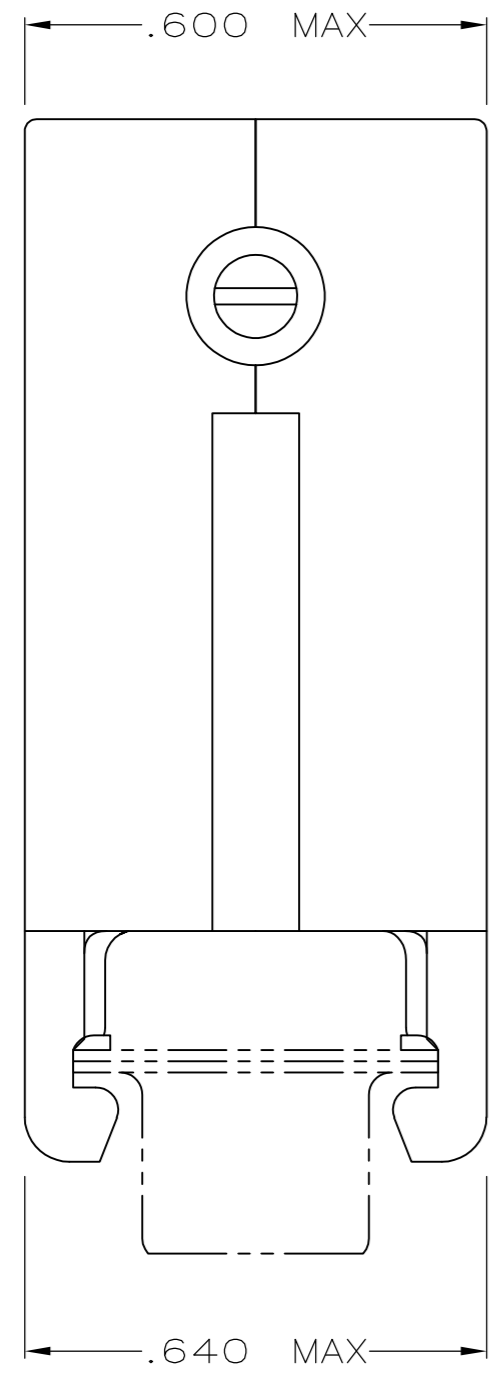
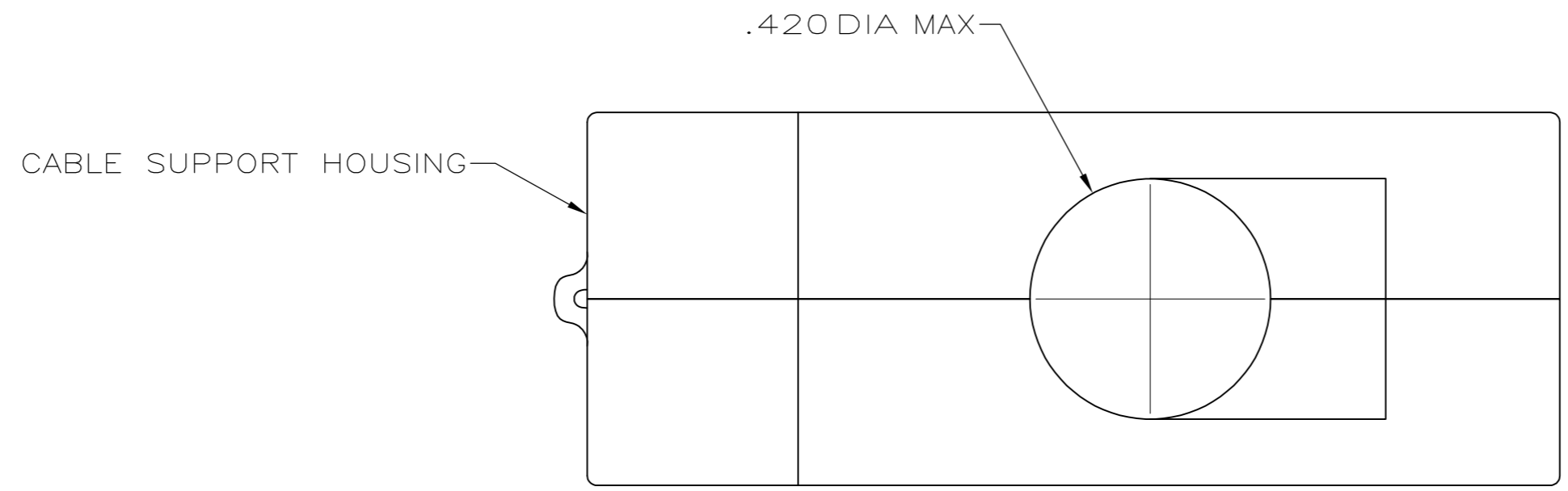


THIS DRAWING IS UNPUBLISHED. RELEASED FOR PUBLICATION  
 © COPYRIGHT 2006 BY TYCO ELECTRONICS CORPORATION. ALL RIGHTS RESERVED.

LOC	DIST	REVISIONS			
P	LTR	DESCRIPTION	DATE	DWN	APVD
GP	00				
	0	RELEASED PER EC OS13-0221-05	31AUG05	RR	JG
	01	REVISED PER ECO-09-024927	09NOV09	KK	AEG



- 1. PART PACKAGED UNASSEMBLED.
- 2. COMPONENTS INDIVIDUALLY BULK PACKED & SHIPPED AS A UNIT PACKAGING KIT.
- 3. MOLDED PARTS: POLYPROPYLENE, BLACK. HARDWARE: COLD ROLLED STEEL.
- 4. HARDWARE: ZINC PLATED, CLEAR CHROMATE COATING.
- 5. OBSOLETE PARTS: OBSOLETE CIS STREAMLINING PER D.RENAUD/D.SINISI

5	OBSOLETE	2	-5206390-3
		AS SHOWN	5206390-1
	PACKAGING		PART NUMBER

THIS DRAWING IS A CONTROLLED DOCUMENT.		DWN R.RICHARDSON 31AUG05	Tyco Electronics Corporation Harrisburg, Pa 17105-3608	
DIMENSIONS: INCHES		CHK C. ROHDE 31AUG05	NAME	
TOLERANCES UNLESS OTHERWISE SPECIFIED:		APVD M.WALMSLEY 31AUG05	PRODUCT SPEC	
0 PLC ± -		APPLICATION SPEC		
1 PLC ± -		WEIGHT -		
2 PLC ± -		SIZE A2		
3 PLC ± -		CAGE CODE 00779		
4 PLC ± -		DRAWING NO C=5206390		
ANGLES ± -		RESTRICTED TO		
FINISH 4		SCALE 4:1 SHEET 1 OF 1 REV 01		
MATERIAL 3		CUSTOMER DRAWING		

5206390