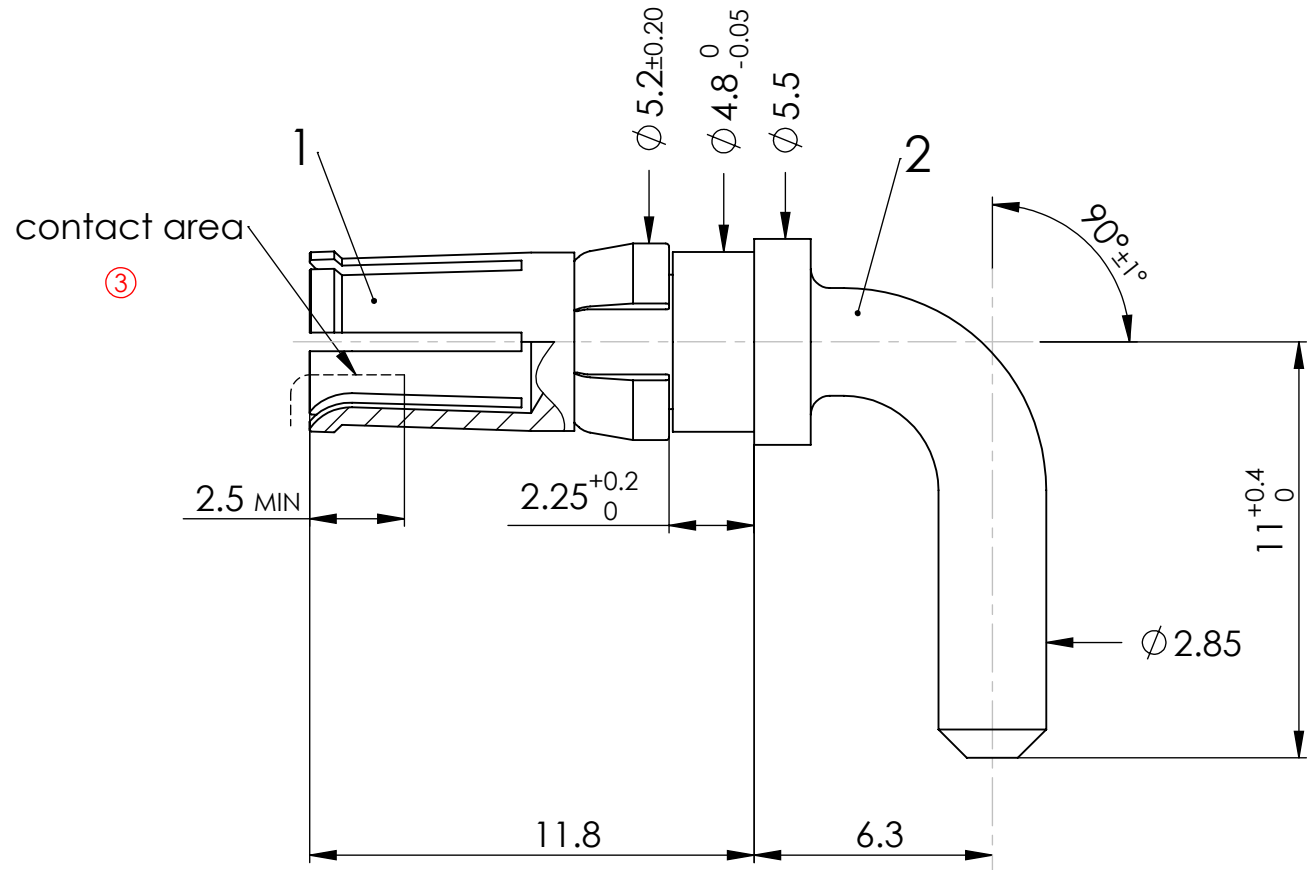
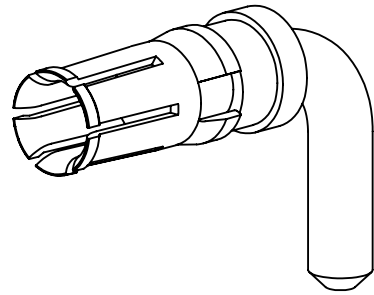


COMMENT:
 ALL RIGHTS ARE RESERVED BY US FOR THIS DRAWING. WITHOUT OUR PRIOR CONSENT,
 IT MAY NEITHER BE DUPLICATED NOR MADE AVAILABLE TO A THIRD PARTY,
 AND IT ALSO MAY NOT BE IMPROPERLY USED BY THE RECEIVER, OR A THIRD PARTY.



CURRENT	20 A		HIGH POWER CONTACT	SCALE 5:1	DATA SHEET	②
FOR	D-Sub					
DIMENSIONS IN MM	DRAWN	NAME / DATE				
MATERIAL + FINISH SEE EXTRA SHEET	CHECKED	DBocan 02-09-2003				
UNLESS OTHERWISE SPECIFIED DIMENSIONS FOR REFERENCE ONLY			sschref 20-10-2010			
4	29-09-2010	11634			PART NO.	REV.
REV.	DATE	INDEX			FMP008S	4
			ORIGINAL: DIN A4-DRAWING AS A FILE		REPLACEMENT FOR:	PAGE: 1/1