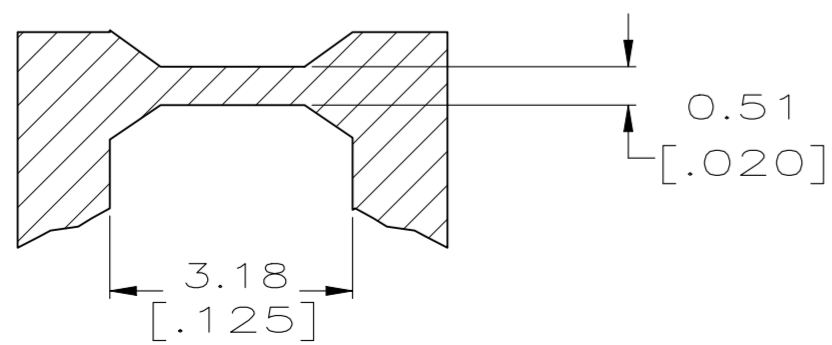
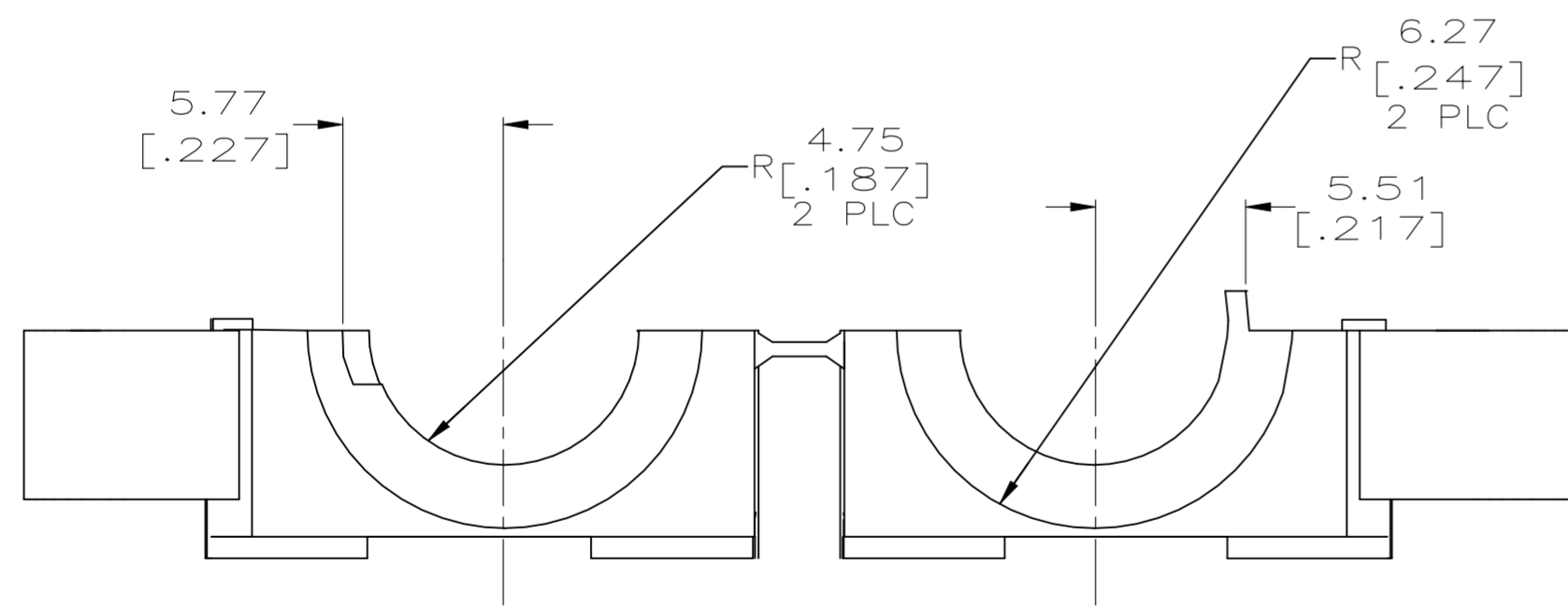
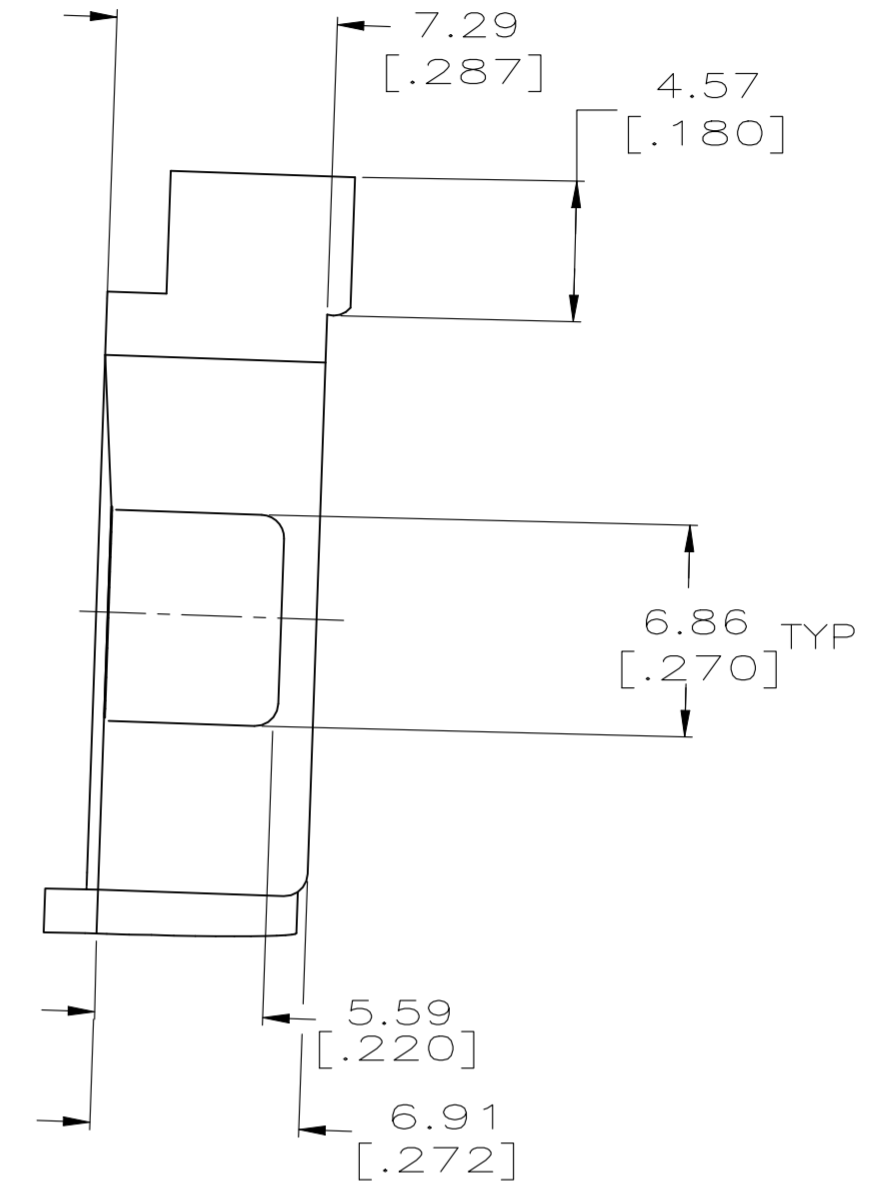
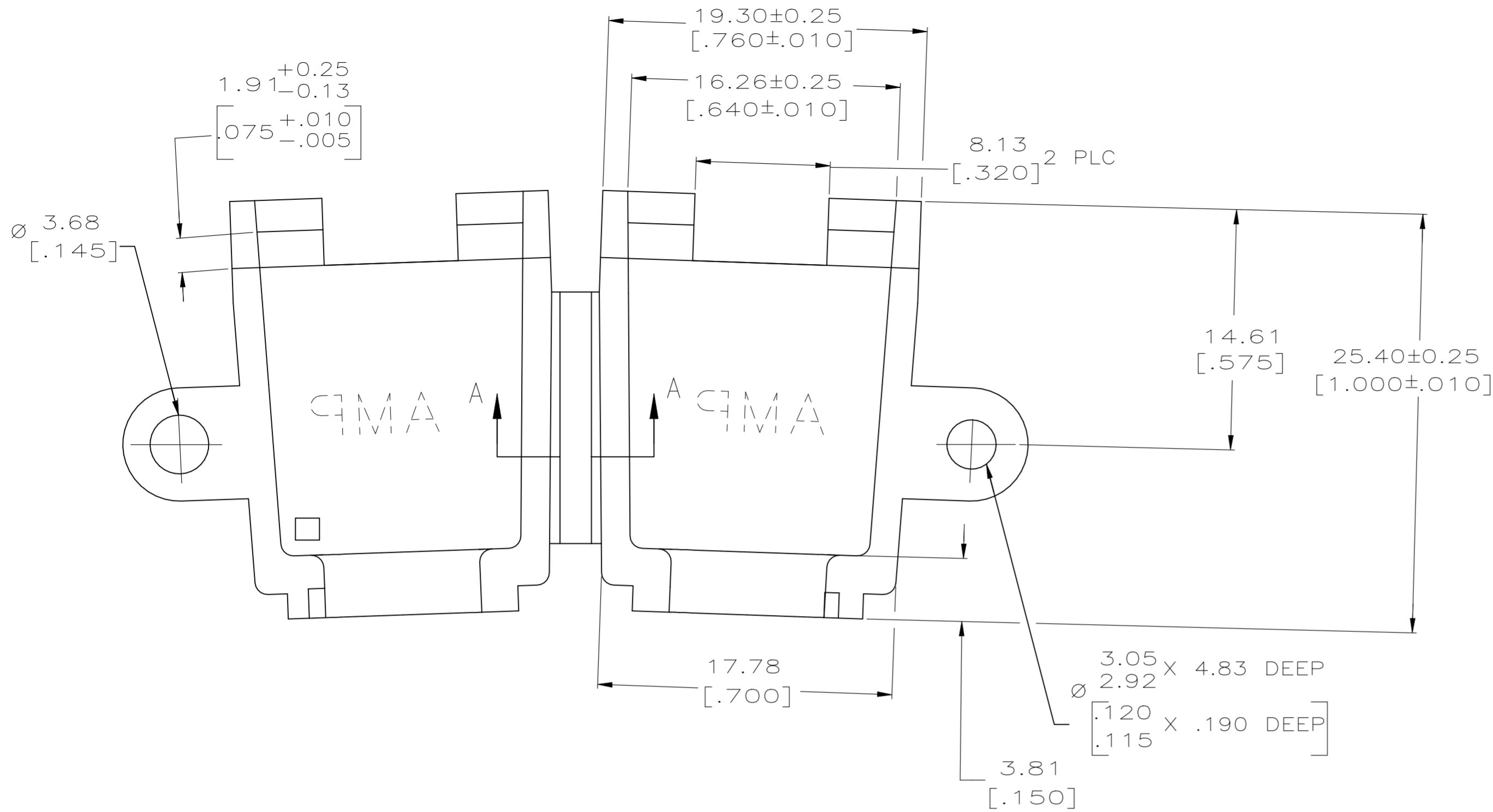
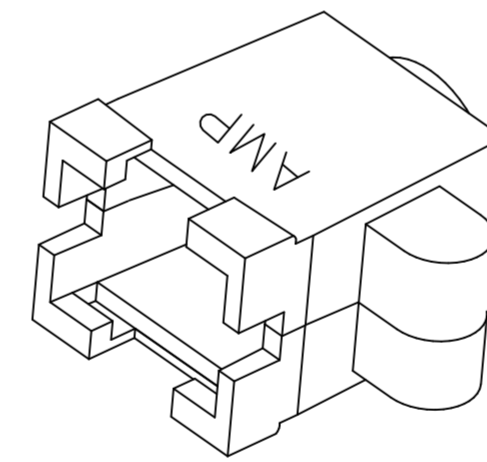


REVISIONS					
P	LTR	DESCRIPTION	DATE	DWN	APVD
L		ECO-21-006913	04OCT2021	RK	MZ



SECTION A-A
SCALE 10:1



3-DIMENSIONAL MODEL
NTS

1. REQUIRES A #6 PAN HEAD TYPE "B" SELF TAPPING PAN HEAD SCREW, 9.53 [.375] LONG.
2. DIMENSIONS IN BRACKETS ARE IN INCHES.
3. HOUSING MATERIAL: PA66, BLACK, UL 94 V-0 RATED
4. HOUSING MATERIAL: PA66, BLACK, UL 94 V-2 RATED

4	1-350373-9
3	350373-1
MATERIAL	PART NO

THIS DRAWING IS A CONTROLLED DOCUMENT.		DWN	K. SALMON	5-3-93	TE Connectivity	
DIMENSIONS: mm[INCHES]		CHK	R. SWING	5-3-93	STRAIN RELIEF, HINGED, 6 POSITION	
TOLERANCES UNLESS OTHERWISE SPECIFIED:		APVD	W. LONG	-	-	
0 PLC ± -		PRODUCT SPEC	-	-	SIZE	A2
1 PLC ± -		APPLICATION SPEC	-	-	CAGE CODE	00779
2 PLC ± 0.13[.005]		-	-	-	DRAWING NO	C=350373
3 PLC ± -		-	-	-	RESTRICTED TO	-
4 PLC ± -		WEIGHT	-	-	SCALE	4:1
ANGLES ± -		CUSTOMER DRAWING	-	-	SHEET	1 OF 1
FINISH		-	-	-	REV	L