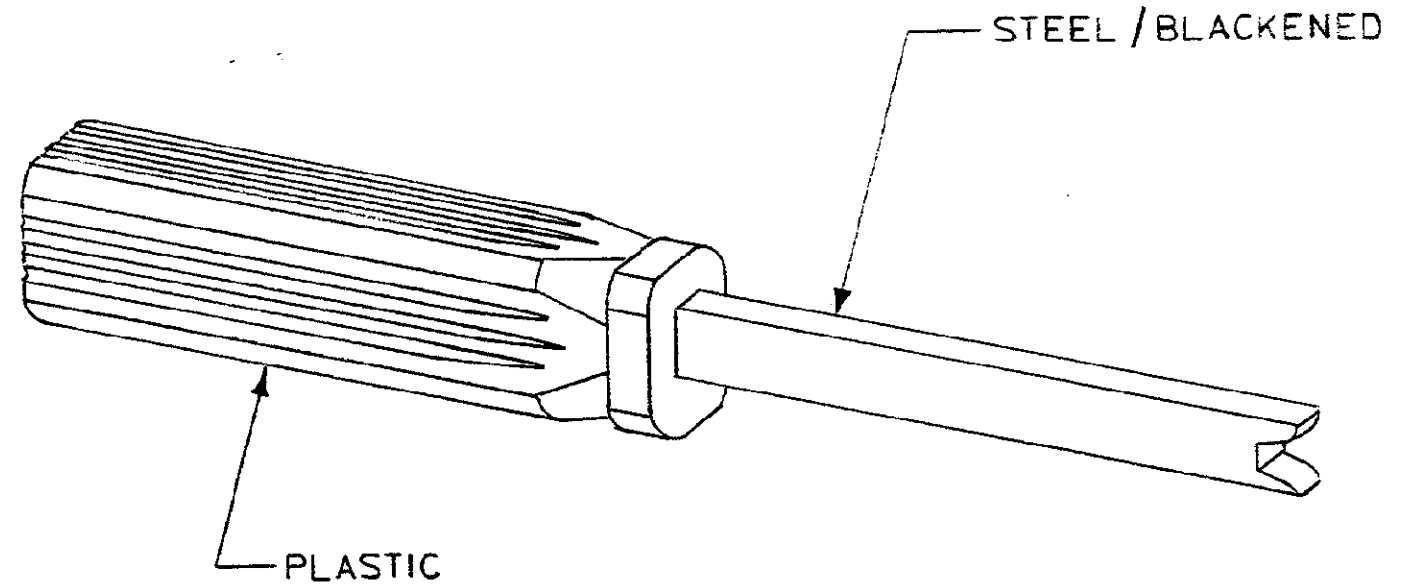


TOOL NUMBER	EXTRACTS	TERMINAL NUMBER	FROM	HOUSING NUMBER
274186-1		62243		360051-1
		62244		360052-1
		62324		
		62325		



DIMENSIONS IN INCHES. DO NOT SCALE PRINT.

REVISION RECORD				NUMBER	DESCRIPTION	DWG SIZE	NUMBER	NAME	REMARKS	ITEM NO
LTR	DR	CHK	DATE							

© 1975 BY AMP INCORPORATED. ALL RIGHTS RESERVED. AMP PRODUCTS COVERED BY PATENTS AND/OR PATENTS PENDING.				CUSTOMER COPY REFERENCE ONLY	
DR	WK	5/12/75	MATERIAL AND FINISH SEE NOTES		
CHK			CLASS CLUSTER PIN		
DE	W.M. KISSINGER	1/13/75	TYPE RECEPTACLE		
APP			TOLERANCE EXCEPT AS NOTED ± .015	SCALE N.T.S.	LOC B
			NO	274186	REV 0
NAME TOOL EXTRACTION					