

THIS DRAWING IS UNPUBLISHED.

RELEASED FOR PUBLICATION

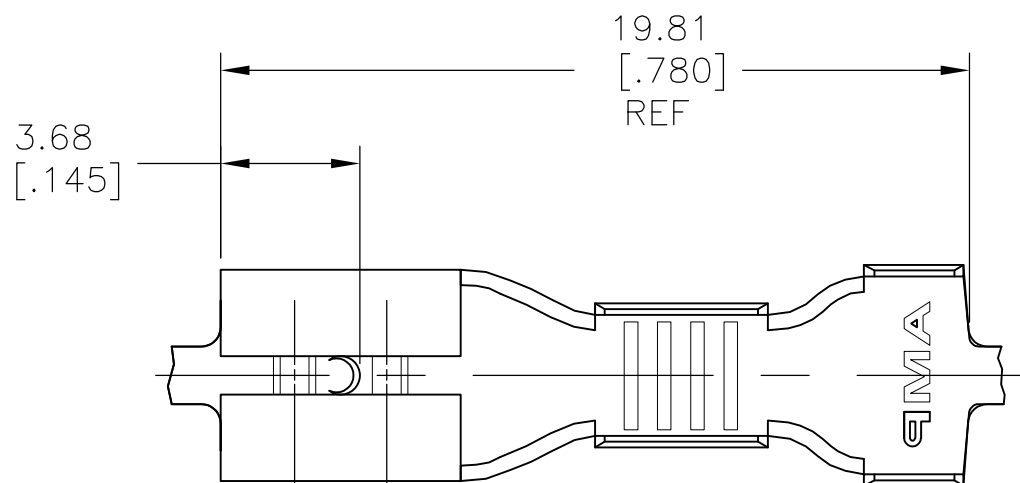
ALL RIGHTS RESERVED.

© COPYRIGHT - By -

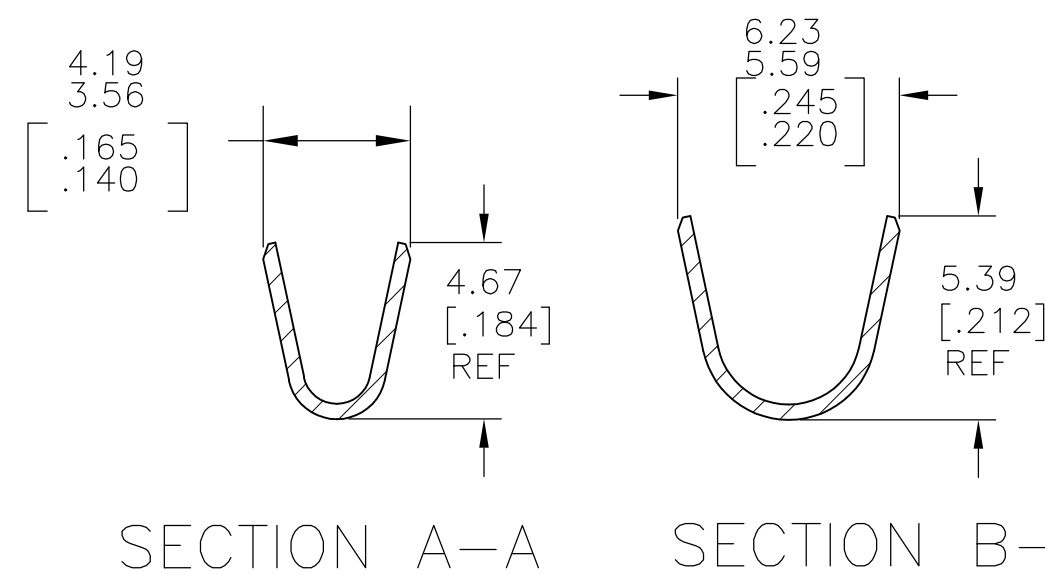
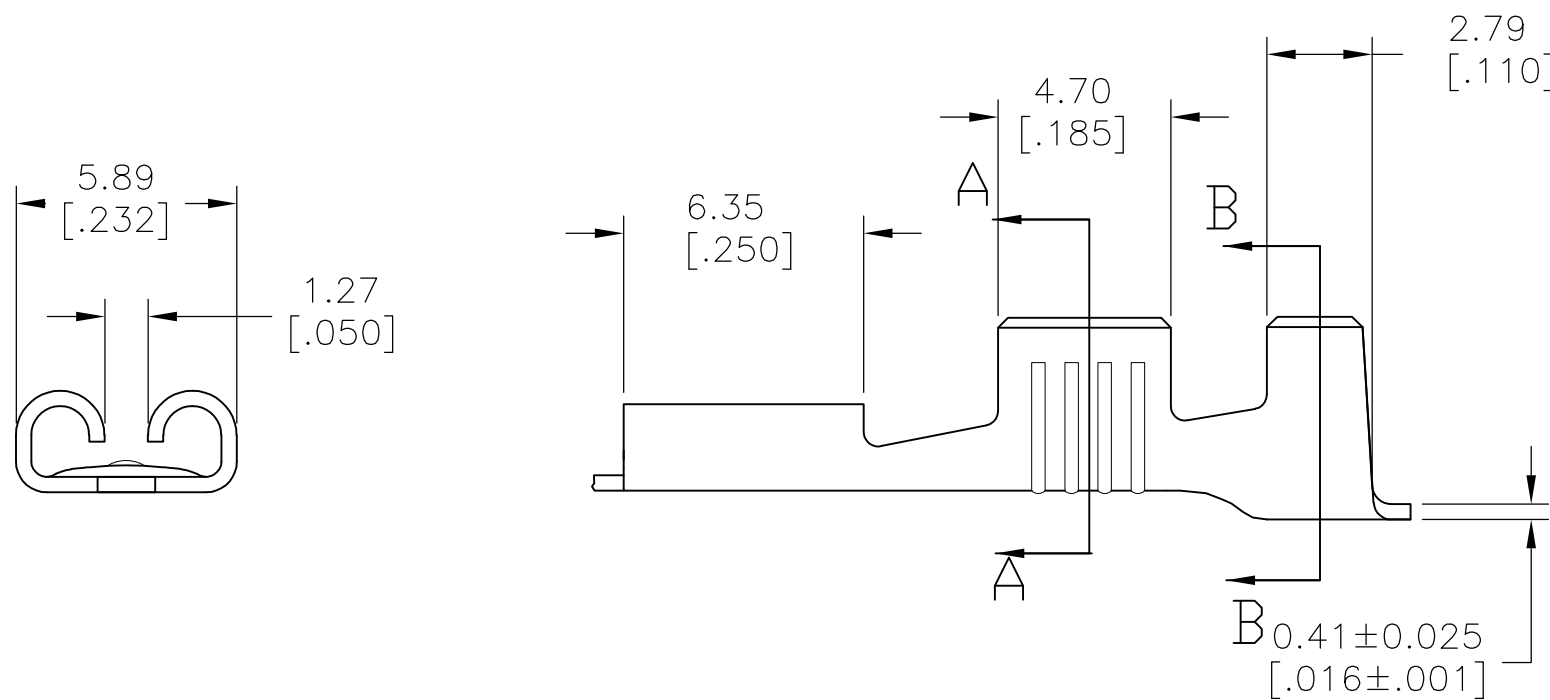
LOC AF DIST 50

REVISIONS

| P | LTR | DESCRIPTION | DATE | DWN | APVD |
|---|-----|---------------------------|-----------|-----|------|
| B | | REVISED PER ECR-12-013518 | 26NOV2012 | KH | PD |



- 1 CONTINUOUS STRIP ON REELS
- 2 WIRE SIZE IS [#16-#12] AWG
- 3 INSULATION RANGE IS 2.79-4.06
[.110-.160] DIA
- 4 MATING TAB THK IS 0.81 ± 0.025
[.032 ± .001]



1742601-1

PART NO

THIS DRAWING IS A CONTROLLED DOCUMENT.

DWN jr_ruth 25MAY07

CHK P_DESANTIS 25MAY07

APVD P_DESANTIS 25MAY07

PRODUCT SPEC

APPLICATION SPEC

WEIGHT -

CUSTOMER DRAWING

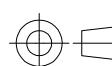
STE TE Connectivity

NAME RECEPTACLE, FASTON, 4.75 [.187] SERIES

| | | | |
|------|-----------|------------|---------------|
| SIZE | CAGE CODE | DRAWING NO | RESTRICTED TO |
| A3 | 00779 | C-1742601 | - |

DIMENSIONS:
mm [INCHES]

TOLERANCES UNLESS OTHERWISE SPECIFIED:



| | |
|--------|---------------|
| 0 PLC | ± - |
| 1 PLC | ± - |
| 2 PLC | ± 0.25 [.010] |
| 3 PLC | ± - |
| 4 PLC | ± - |
| ANGLES | ± 5° |

MATERIAL BRASS

FINISH TIN PLATE

| | | |
|-------|--------|-----|
| SCALE | SHEET | REV |
| 5:1 | 1 OF 1 | B |