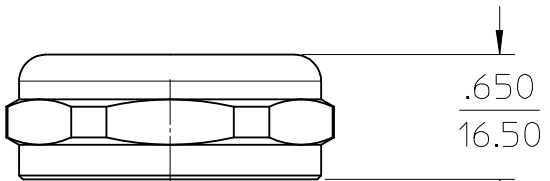
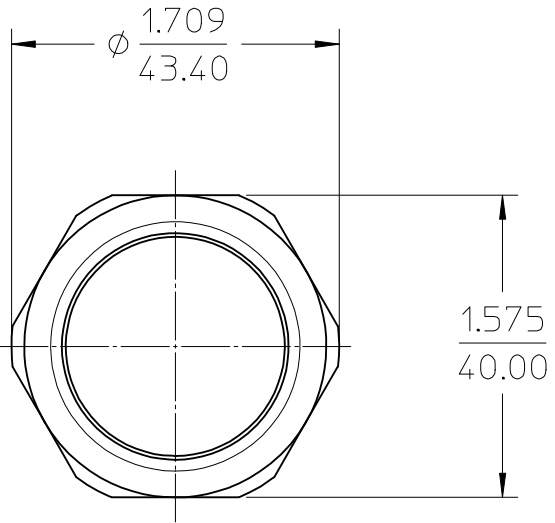
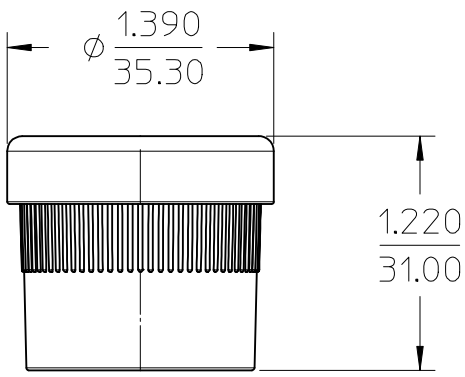
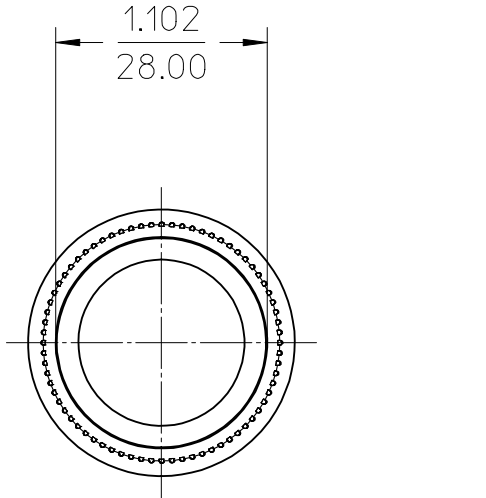


NO.	PARTS NAME	QUAN.	MATERIAL
①	CABLE CAP	1	BRASS, Ni PLATING
②	BUSH	1	PVC



END BELL CAP



END BELL BUSH

YELLOW	φ24~φ28	28	58550-0003
ORANGE	φ20~φ25	25	58550-0002
BROWN	φ17~φ21	21	58550-0001
BLUE	φ14~φ18	18	58550-0000
BUSH COLOR	WIRE SIZE	A	ENG. NUMBER

ANGLE	±3°
30 OVER	±0.3°
10 OVER 30 UNDER	±0.25°
10 UNDER	±0.2°

REDRAWN	EC NO: IPG2013-0061
DRWN:CD	CH'KD:
APPR: BWOODMAN	DATE: 2013/05/22
1	REV

QUALITY SYMBOLS	DESCRIPTION
	13
	0
	0.13
	0.13

	GENERAL TOLERANCES (UNLESS SPECIFIED)	
	mm	INCH
4 PLACES	± ---	± ---
3 PLACES	± ---	± ---
2 PLACES	± 0.05	± ---
1 PLACE	± 0.10	± ---
0 PLACE	± ---	± ---
ANGULAR ± .5 °		
DRAFT WHERE APPLICABLE MUST REMAIN WITHIN DIMENSIONS		

DIMENSION STYLE	
MM ONLY	
DRAWN BY	DATE
CD	2012/07/13
CHECKED BY	DATE
APPROVED BY	DATE
BWOODMAN	2013/05/22
MATERIAL NO.	
SEE TABLE	
SIZE	A

SCALE	DESIGN UNITS	THIRD ANGLE PROJECTION	
1:1	METRIC		
TITLE			
ROBOT CONNECTOR END BELL CAP SET			
DOCUMENT NO.			SHEET NO.
SD-58550-****			1 OF 1
THIS DRAWING CONTAINS INFORMATION THAT IS PROPRIETARY TO MOLEX INCORPORATED AND SHOULD NOT BE USED WITHOUT WRITTEN PERMISSION			