

| | | | | | |
|-----------|--------------------|----------|---|-----------|--------|
| PART NAME | UTILIBOX (STYLE A) | PART No. | CU-3285 & CU-3285-MB CUR-3285 & CUR-3285-MB CUR-3285-C & CUR-3285-CMB | REV. DATE | 9-2-10 |
|-----------|--------------------|----------|---|-----------|--------|

MATERIAL:

BODY AND STANDARD COVERS

ABS THERMOPLASTIC (FLAMMABILITY RATING UL94-5VA)

RECESSED COVERS (CUR-)

ABS THERMOPLASTIC (FLAMMABILITY RATING UL94-5VA)

CLEAR COVERS (-C)

ABS THERMOPLASTIC (FLAMMABILITY RATING UL94V-2)

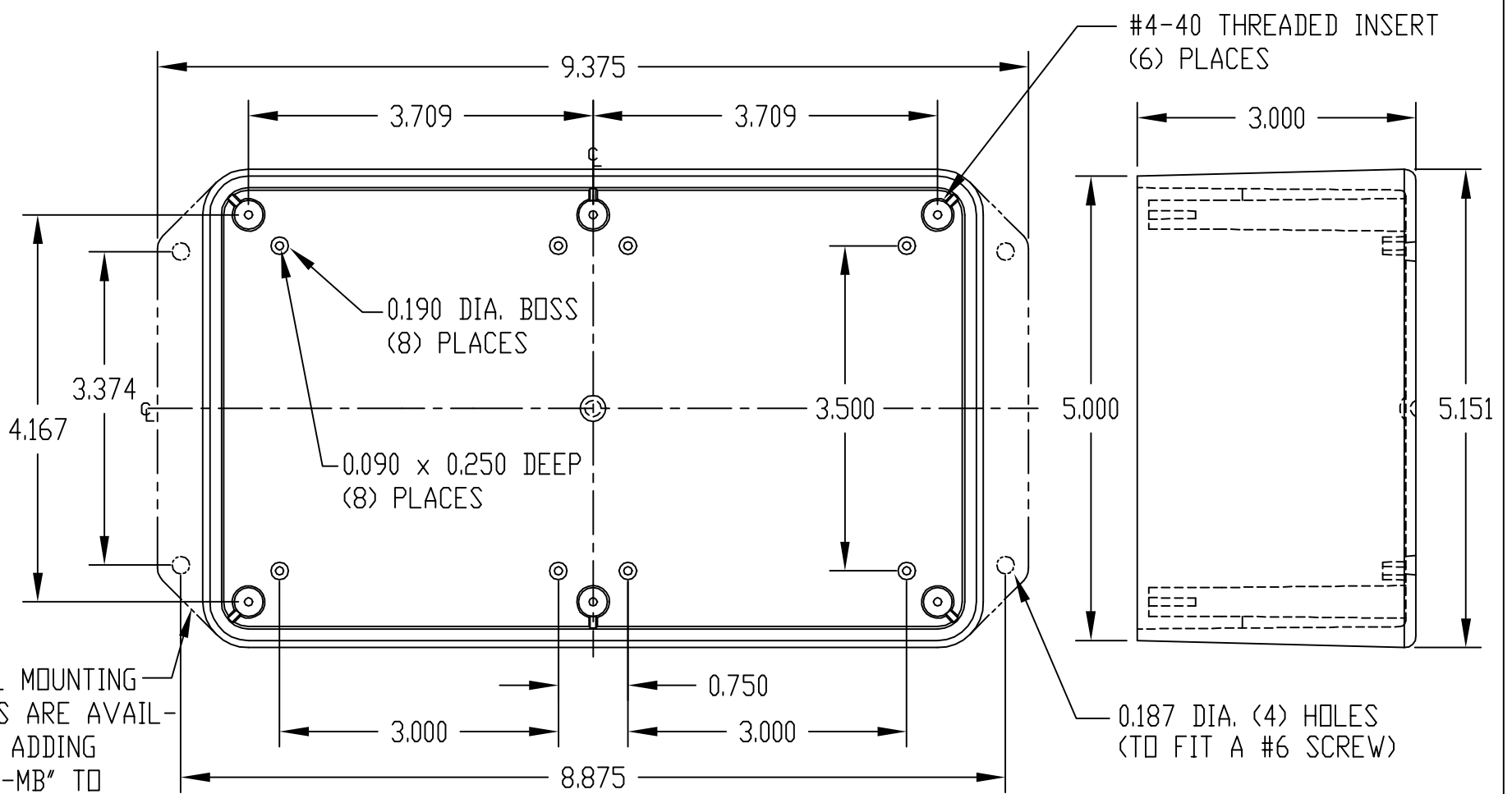
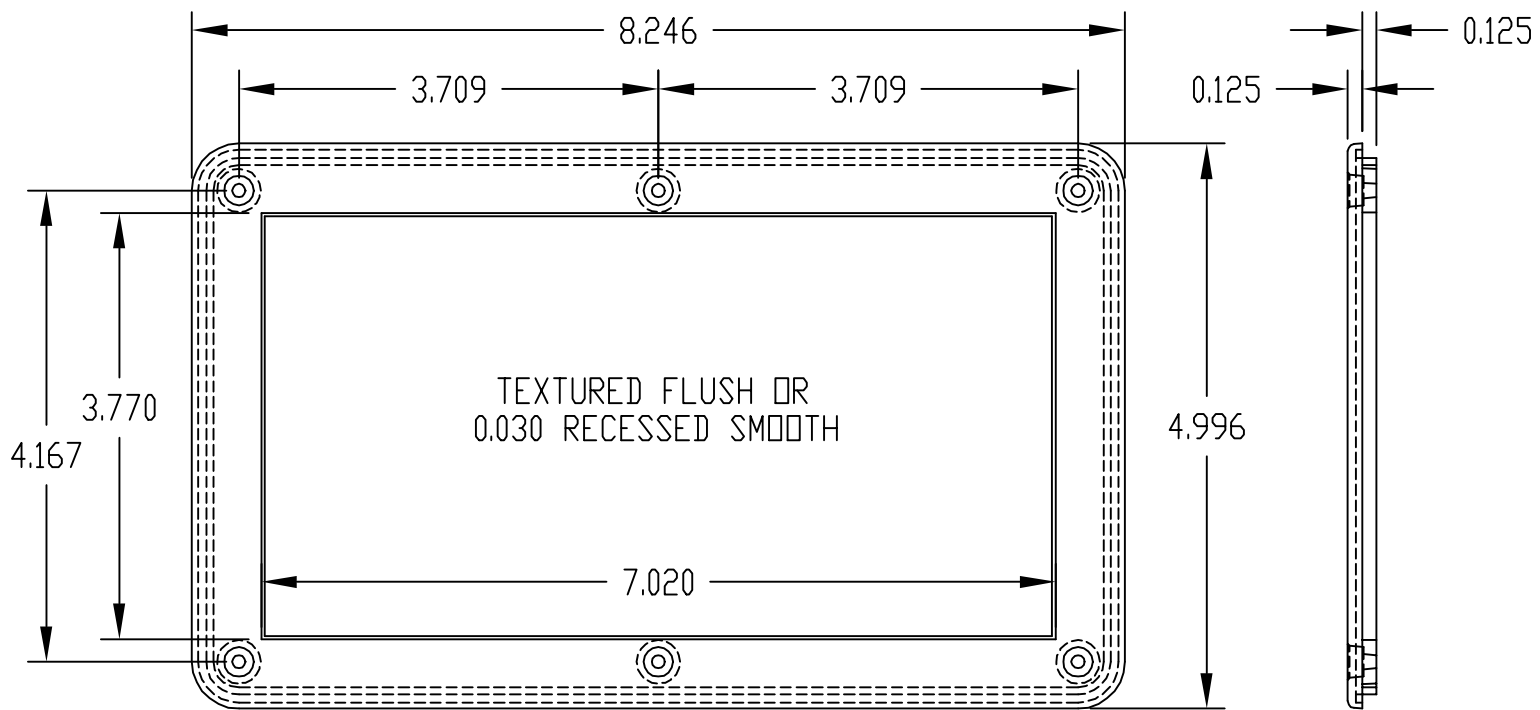
FINISH

BODY AND STANDARD COVERS ARE BLACK TEXTURED

RECESSED (CUR-) AND CLEAR COVERS (-C) ARE SMOOTH FINISH

SIX (6) #4-40 x 0.500" LG. SCREWS SUPPLIED FOR ASSEMBLING COVER TO BODY

MOUNTING BOSSES USE EITHER M2.5 METRIC OR #4 STD. SHEET METAL SCREWS x 0.250" LG. (NOT SUPPLIED)



OPTIONAL MOUNTING BRACKETS ARE AVAILABLE BY ADDING SUFFIX "-MB" TO CATALOG PART NO.

NOTE: ALL DIMENSIONS HAVE ±0.010 TOLERANCE UNLESS OTHERWISE SPECIFIED

1-1/2° DRAFT ALL OUTSIDE WALL SURFACES

1/2° DRAFT ALL INSIDE SURFACES

0.250 (TYP)

0.125

| | | |
|----------|-------------|---|
| PART No. | CU-3285 | TEXTURED FLUSH COVER LESS RECESS AND BODY WITHOUT MOUNTING FLANGE |
| PART No. | CU-3285-MB | TEXTURED FLUSH COVER LESS RECESS AND BODY WITH MOUNTING FLANGE. |
| PART No. | CUR-3285 | COVER WITH SMOOTH 0.030 RECESS AND BODY WITHOUT MOUNTING FLANGE. |
| PART No. | CUR-3285-MB | COVER WITH SMOOTH 0.030 RECESS AND BODY WITH MOUNTING FLANGE |