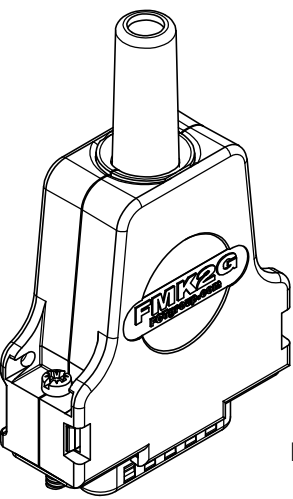


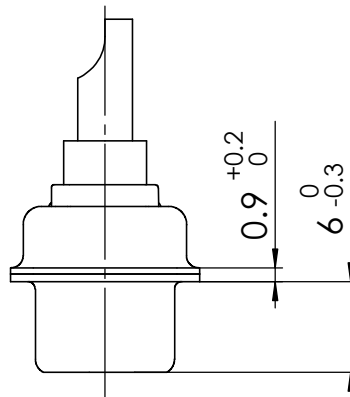
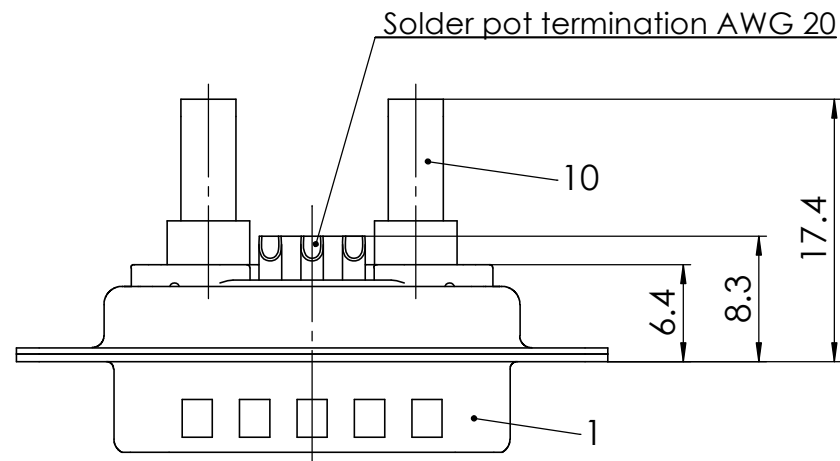
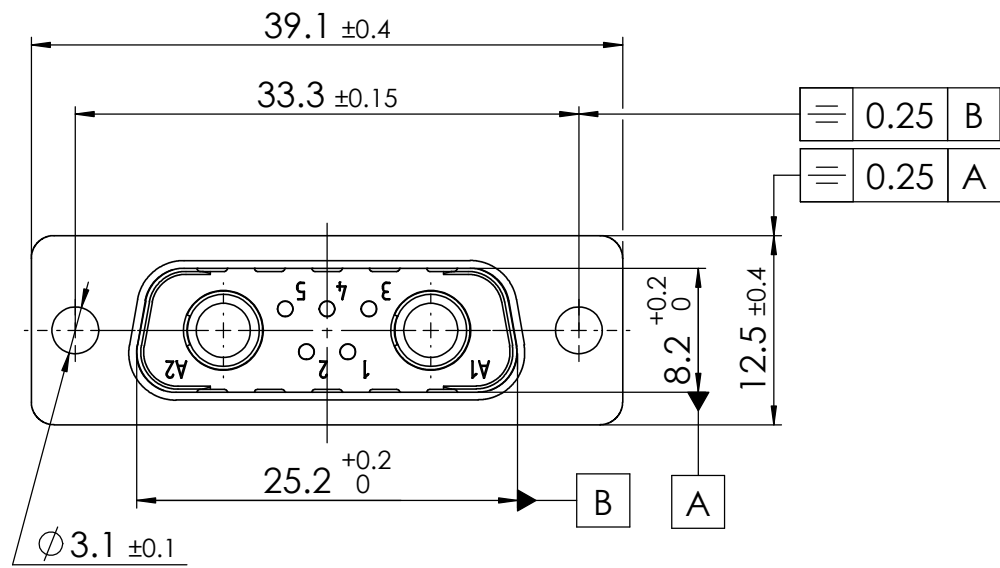
COMMENT: ALL RIGHTS ARE RESERVED BY US FOR THIS DRAWING. WITHOUT OUR PRIOR CONSENT, IT MAY NEITHER BE DUBLICATED NOR MADE AVAILABLE TO A THIRD PARTY. AND IT ALSO MAY NOT BE IMPROPERLY USED BY THE RECEIVER, OR A THIRD PARTY.



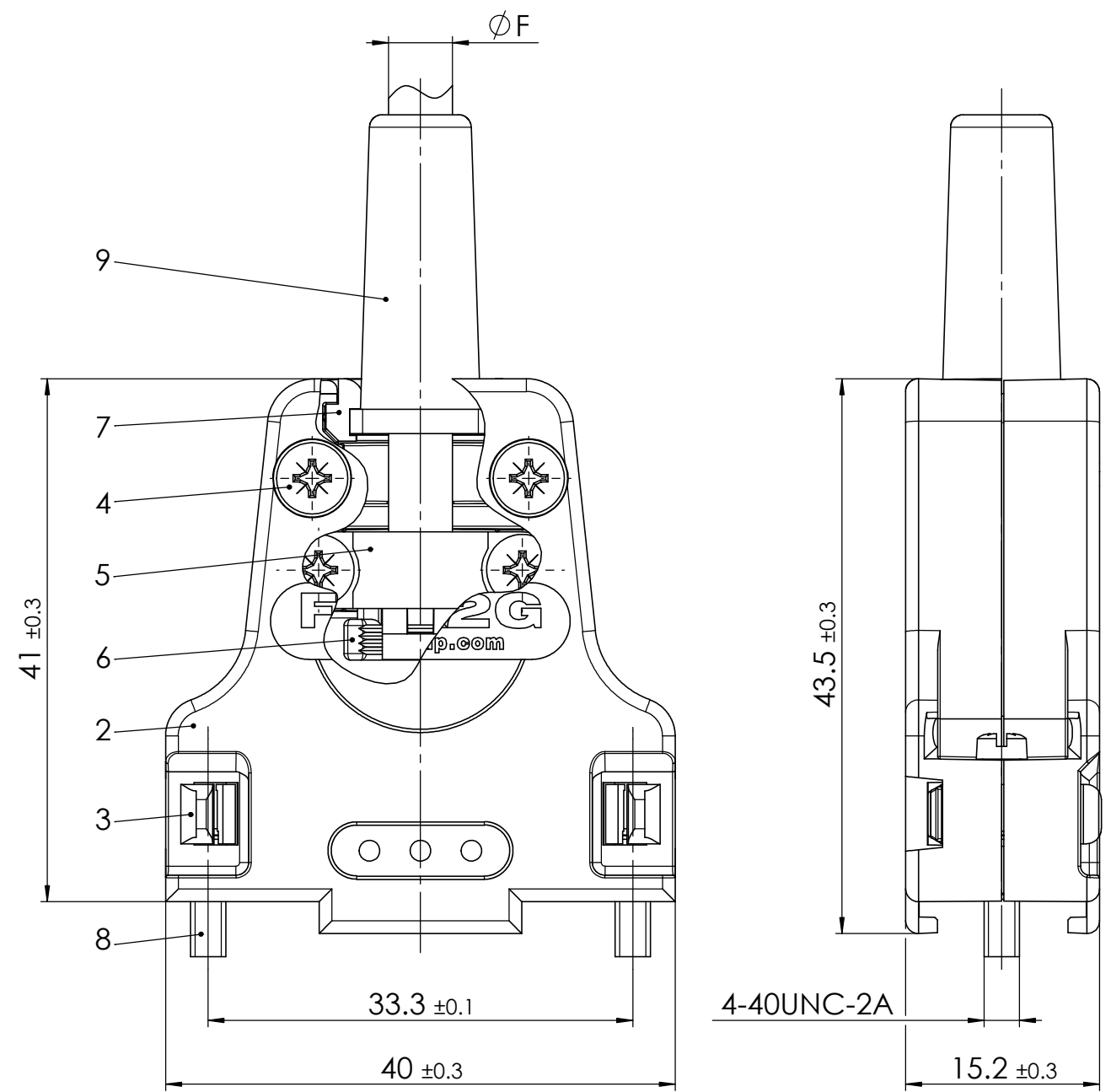
reverse side
1:1

RoHS compliant

max. torque are 40 Ncm
Part-No. 9 and 10 not mounted



øF1 = Cable diameter without rubber bushing ø3 - ø8.5mm
øF2 = Cable diameter with rubber bushing max. 6.5mm



No.	St.	Part	Type	Description/Material	Surface plating/Colour/Class
10	2	High power contact	FMP006P204		AuroPur / 20A / AWG 12-16
9	1	Rubber bushing	TPE		black
8	2	Locking screw	FVS1/5-K1163 4-40 / Steel		nickel plated
7	2	Cable reduction plate	Zinc die-cast		nickel plated
6	1	Strain relief	ABS		nickel plated
5	1	Cable clamp	Steel		tin plated
4	4	Screw	Case hardened steel		zinc plated
3	2	Catch spring	PEI		black
2	1	Hood	FMK2G / Zinc die-cast		nickel plated
1	1	Mixed-Layout Connector	FM7W2PA-K120		

REV.	DATE	CH.-NO.	ORIGINAL: DIN A3-DRAWING AS A FILE	REPLACEMENT FOR:	PAGES 1
1					

 Measurement without tolerance occ. to ISO 2768-m SCALE 2:1 TITLE NAME / DATE ameyerrichte 13-10-2016 DRAWN BWittef 14-10-2016 CHECKED 	DWG.NO. FMK2G-7W2PA-5935	REV. 1
Hood Connector Set		