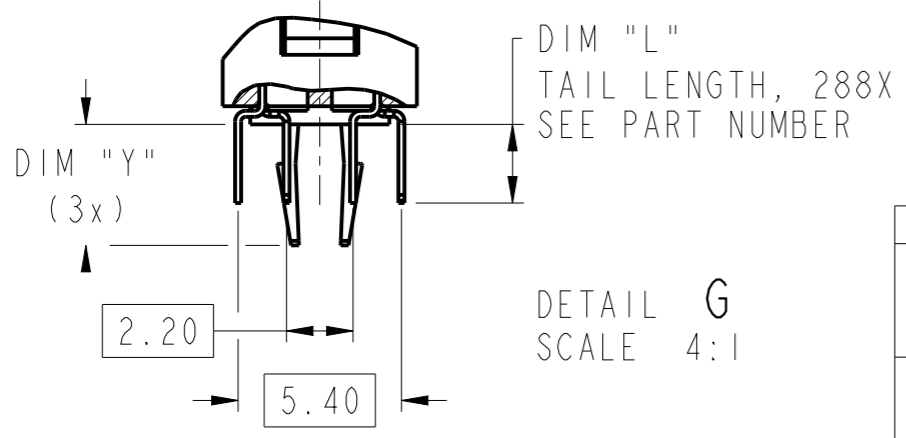
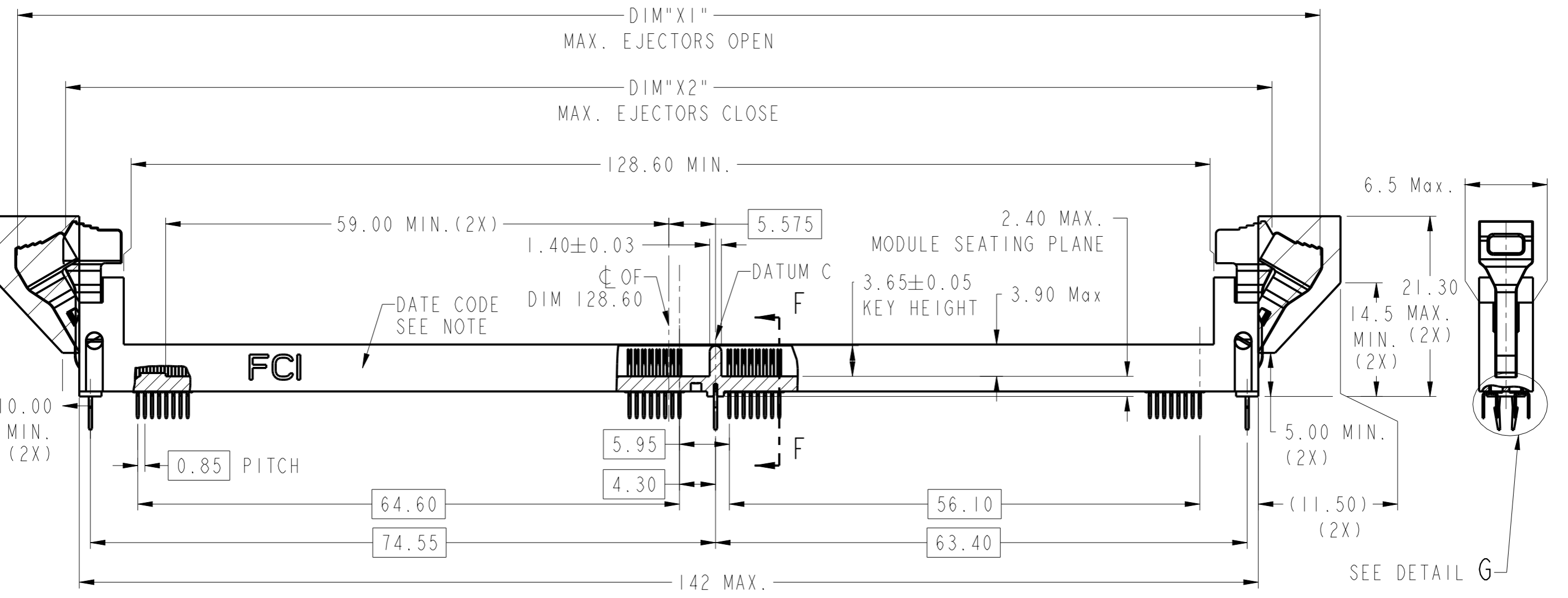
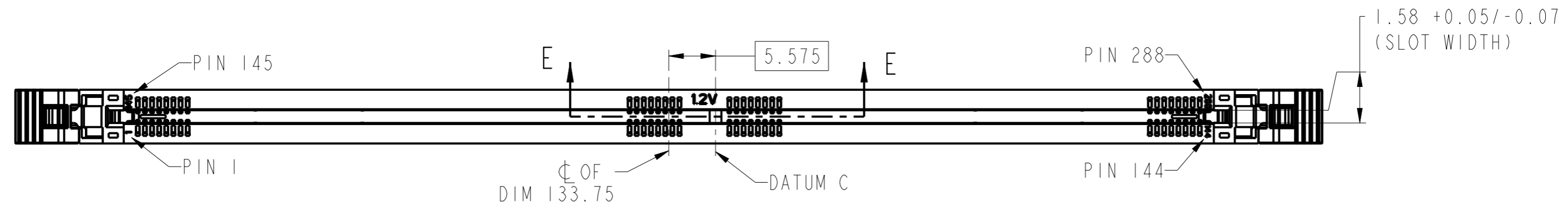


Amphenol
FCi

© 2016 AFCI



spec ref				dr	Jeny Ren	2017/09/06	projection	MM	size	A3	scale	7:5
tolerance std	TOLERANCES UNLESS OTHERWISE SPECIFIED			eng	Winston Zhu	2020/05/04			ecn no	ELX-DG-36885-1		
surface	linear	0.X	±0.30	chr	-	-			rel level	Released		
ASME Y14.5	angular	0°	±2°	appr	Nickor Zuo	2020/05/04	product family	-	rel level	Released		

Amphenol FCi	DDR4 288Pin DIMM CONNECTOR	dwg no	10145226	rev	E
	PTH TERMINATION	cat. no.	-	Product - Customer Drw	sheet 1 of 5

DDR4 MODULE
 MORE INFORMATION REFER TO JEDEC MO-309

A

B

C

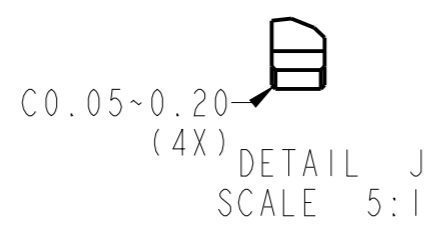
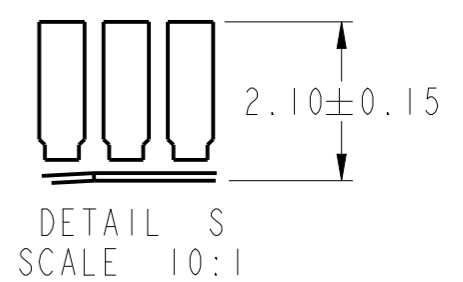
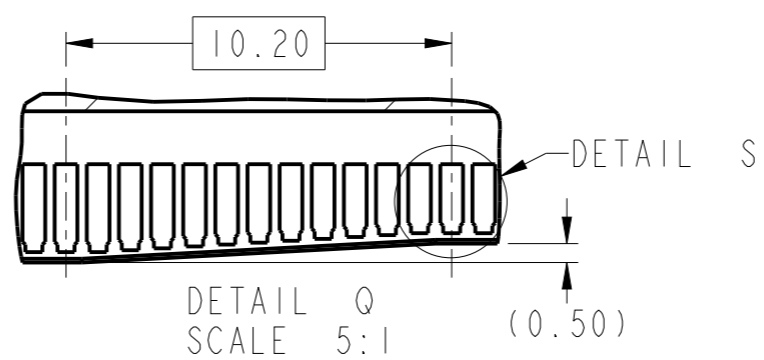
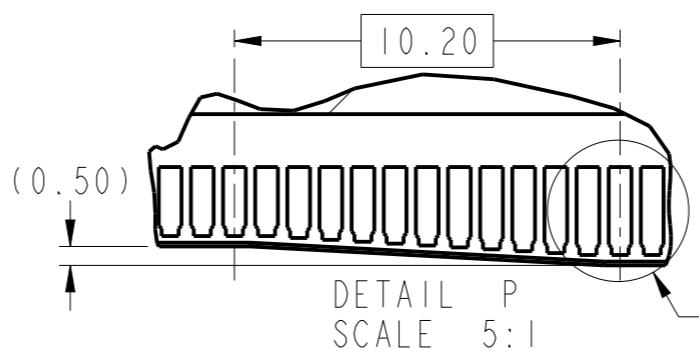
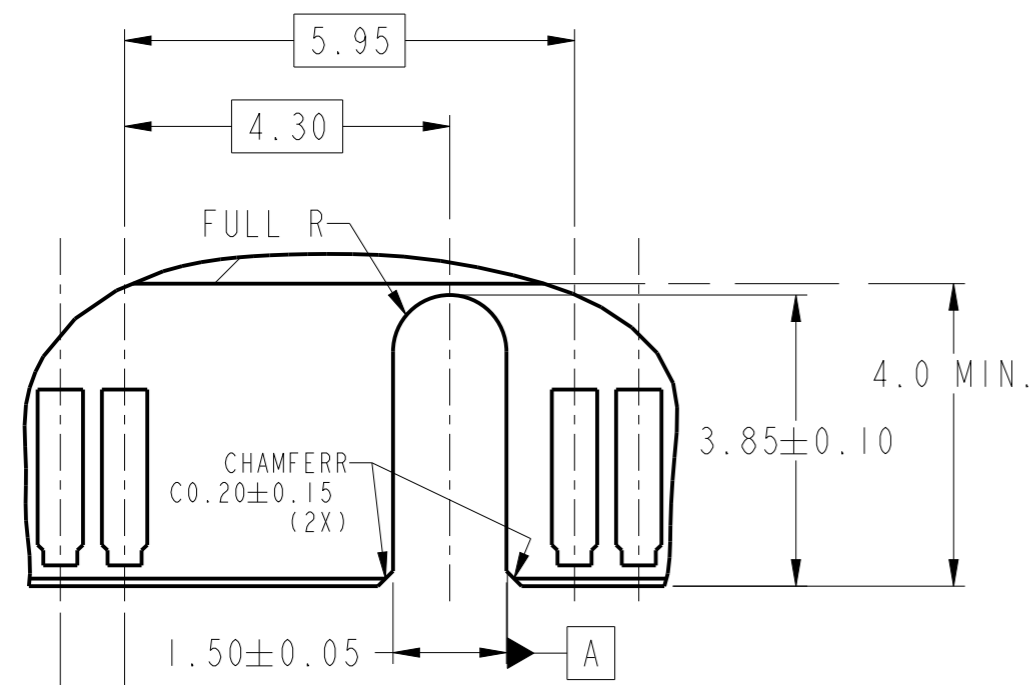
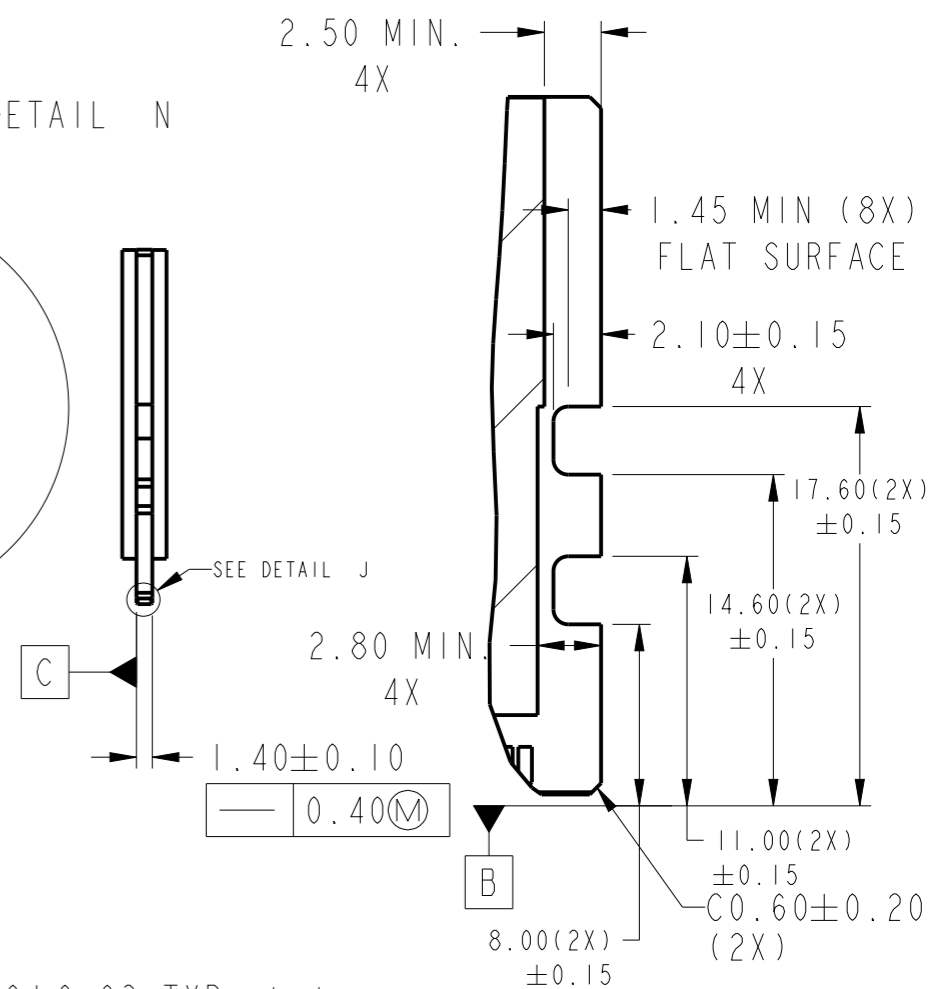
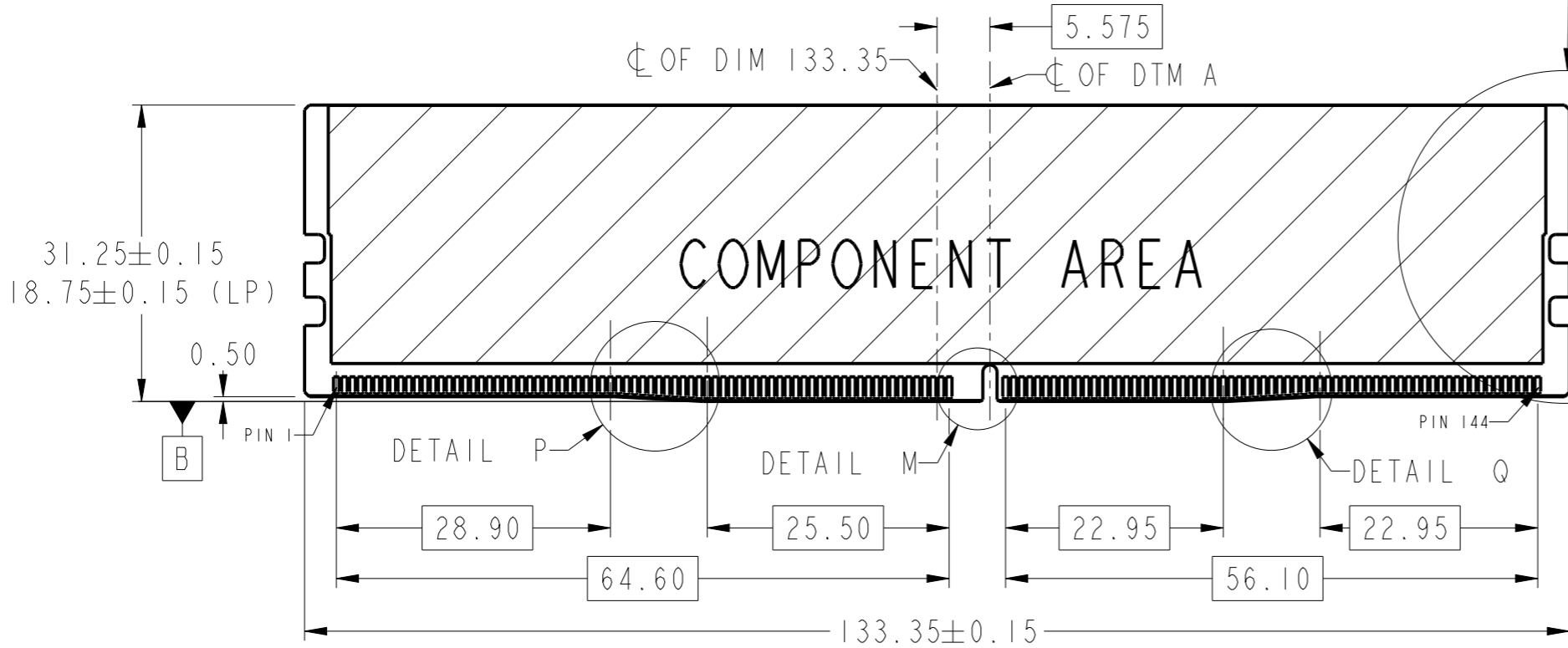
D

A

B

C

D



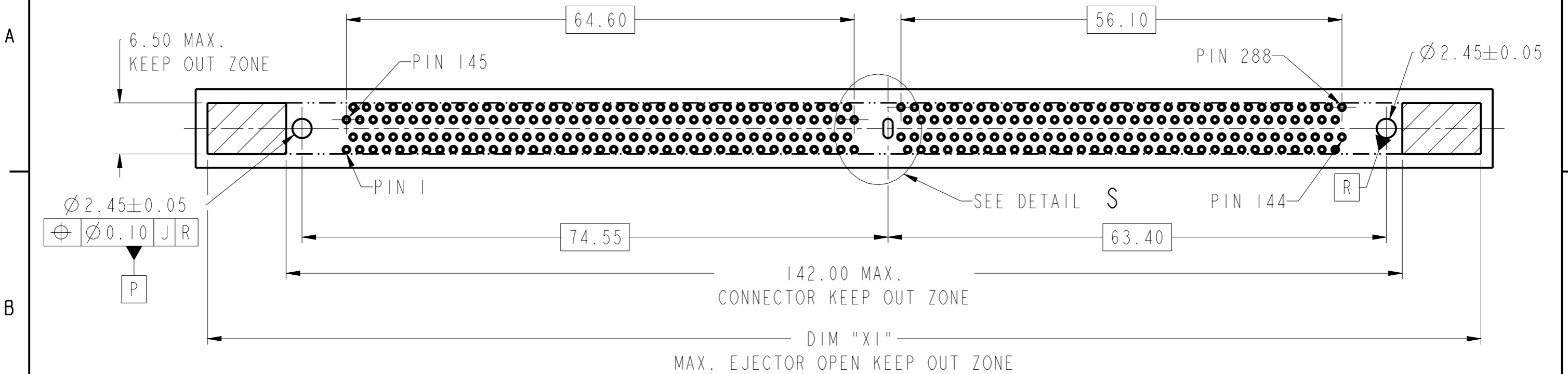
spec ref			dr	Jeny Ren	2017/09/06
tolerance std	TOLERANCES UNLESS OTHERWISE SPECIFIED		eng	Winston Zhu	2020/05/04
	linear	0.X	±0.30	chr	-
		0.XX	±0.20	appr	Nickor Zuo
		0.XXX	±0.10		2020/05/04
ASME Y14.5	angular	0°	±2°		

projection	MM	size	A3	scale	3:2
ecn no	ELX-DG-36885-1		rel level	Released	
product family	-		dwg no	10145226	rev
cat. no.	-		Product - Customer Drw	sheet 2 of 5	

Amphenol FCI

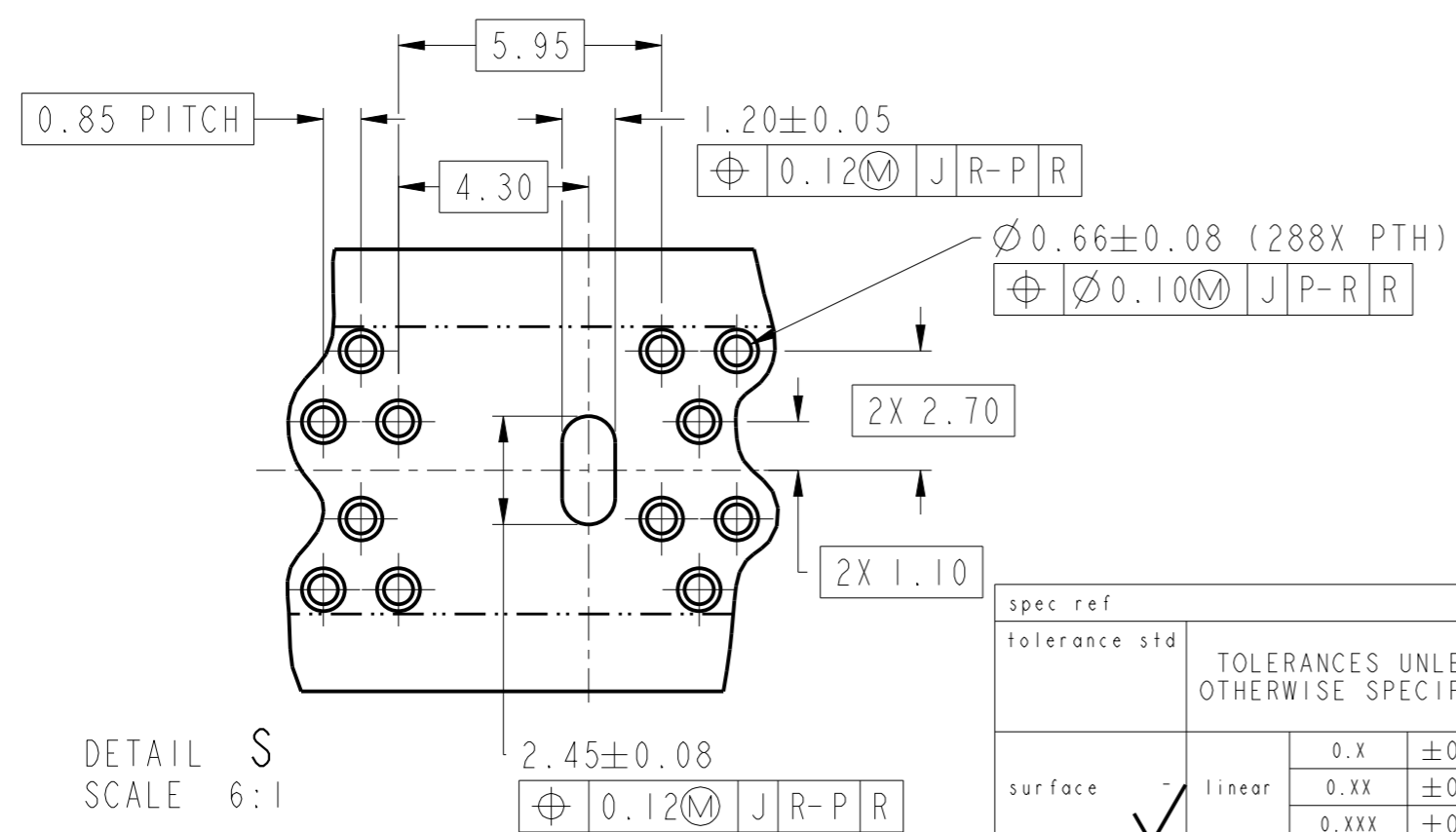
DDR4 288Pin DIMM CONNECTOR
 PTH TERMINATION

RECOMMENDED PCB LAYOUT
 MORE INFORMATION REFER TO JEDEC SO-016



Amphenol
 FCI

© 2016 AFCI



spec ref	dr	Jeny Ren	2017/09/06	projection	MM	size	A3	scale	2:1		
tolerance std	eng	Winston Zhu	2020/05/04			ecn no	ELX-DG-36885-1				
TOLERANCES UNLESS OTHERWISE SPECIFIED		chr	-			product family	-	rel level	Released		
surface	linear	ASME Y14.5	angular	0°	±2°	Amphenol FCI		DDR4 288Pin DIMM CONNECTOR PTH TERMINATION	cat. no. - Product - Customer Drw	dwg no 10145226	rev E
sheet 3 of 5											

PRODUCT PART NUMBER

10145226-□□□□□□□□

ADDITIONAL REQUIREMENTS

0: ERGONOMICS TYPE

HOLD DOWNS CONFIGURATIONS

0: 3 FORKLOCKS, DIM "Y"=4.00±0.25
 1: 3 FORKLOCKS, DIM "Y"=2.50±0.25
 2: 3 FORKLOCKS, DIM "Y"=3.78±0.25


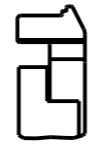
DIM "L", TAIL LENGTH

0: 2.60±0.25
 1: 3.20±0.25
 3: 2.40±0.25
 4: 2.10±0.25
 5: 2.95±0.25
 6: 2.80±0.25

HOUSING COLOR

0: NATURAL
 1: BLACK
 2: BLUE

EJECTOR TYPE

CODE	COLOR	DIM"X1"	DIM"X2"	LATCH FIGURE
N	NATURAL	158.00	146.00	
P	BLACK			
Q	GREEN			
J	NATURAL			
K	BLACK	152.00	142.00	
3	NATURAL			
4	BLACK			
5	GREEN			

CONTACT AREA PLATING

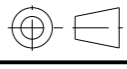

CODE	CONTACT AREA	UNDERPLATING
11LF	15u" MIN.GOLD	50u" MIN.NICKEL
13LF	30u" MIN.GOLD	

NOTES:

- MATERIALS:
 HOUSING: HIGH PERFORMANCE RESINS, GLASS FILBER FILLED, UL94 V-0 RATED.
 EJECTOR: HIGH PERFORMANCE RESINS, GLASS FILBER FILLED, UL94 V-0 RATED.
 TERMINAL: COPPER ALLOY
 FORKLOCK: COPPER ALLOY
- DATE CODE "MMDDYYL", MMDDYY IS ASSEMBLY DATE, L IS FCI PRODUCTION LINE.
- SPECIFICATION:
 PRODUCTION SPECIFICATION: FCI GS-12-1092.
 PACKAGE SPECIFICATION: FCI GS-14-2267.
 APPLICATION SPECIFICATION: FCI GS-20-0353.
- LEAD FREE PRODUCT MEETS EUROPEAN UNION DIRECTIVES AND OTHER COUNTRY REGULATIONS AS DESCRIBED IN FCI GS-22-008.
- THIS PRODUCT WILL WITHSTAND EXPOSURE TO 260°C PEAK TEMPERATURE FOR 10 SECONDS IN WAVE SOLDERING APPLICATION.

Amphenol FCI

© 2016 AFCI

spec ref	dr	Jeny Ren	2017/09/06	projection	MM	size	A3	scale	4:1	
tolerance std	eng	Winston Zhu	2020/05/04			ecn no	ELX-DG-36885-1			
TOLERANCES UNLESS OTHERWISE SPECIFIED	chr	-	-			product family	rel level	Released		
	surface	appr	Nickor Zuo	2020/05/04	Amphenol FCI		DDR4 288Pin DIMM CONNECTOR	PTH TERMINATION	10145226	rev
ASME Y14.5	linear	0.X	±0.30	cat. no.	Product - Customer Drw		sheet 4 of 5			
	angular	0°	±2°							

PRODUCT PART NUMBER

10145226-□□□□□□□□

ADDITIONAL REQUIREMENTS

1: SPECIAL HIGH TEMPERATURE RESIN

HOLD DOWNS CONFIGURATIONS

0: 3 FORKLOCKS, DIM "Y" = 4.00 ± 0.25
 1: 3 FORKLOCKS, DIM "Y" = 2.50 ± 0.25
 2: 3 FORKLOCKS, DIM "Y" = 3.78 ± 0.25

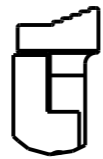
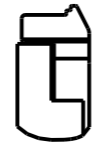
DIM "L", TAIL LENGTH

0: 2.60 ± 0.25
 1: 3.20 ± 0.25
 3: 2.40 ± 0.25
 4: 2.10 ± 0.25
 5: 2.95 ± 0.25
 6: 2.80 ± 0.25

HOUSING COLOR

0: NATURAL
 1: BLACK
 2: BLUE

EJECTOR TYPE

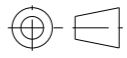

CODE	COLOR	DIM "X1"	DIM "X2"	LATCH FIGURE
N	NATURAL	158.00	146.00	
P	BLACK			
Q	GREEN			
3	NATURAL	152.00	142.00	
4	BLACK			
5	GREEN			

CONTACT AREA PLATING

CODE	CONTACT AREA	UNDERPLATING
11LF	15u" MIN. GOLD	50u" MIN. NICKEL
13LF	30u" MIN. GOLD	

Amphenol FCI

© 2016 AFCI

spec ref	dr	Jeny Ren	2017/09/06	projection	MM	size	A3	scale	4:1
tolerance std	eng	Winston Zhu	2020/05/04			ecn no ELX-DG-36885-1			
TOLERANCES UNLESS OTHERWISE SPECIFIED						product family		rel level Released	
surface	linear	0.X	±0.30	Amphenol FCI		DDR4 288Pin DIMM CONNECTOR		dwg no 10145226	
		0.XX	±0.20						
ASME Y14.5	angular	0°	±2°	cat. no.		Product - Customer Drw		sheet 5 of 5	