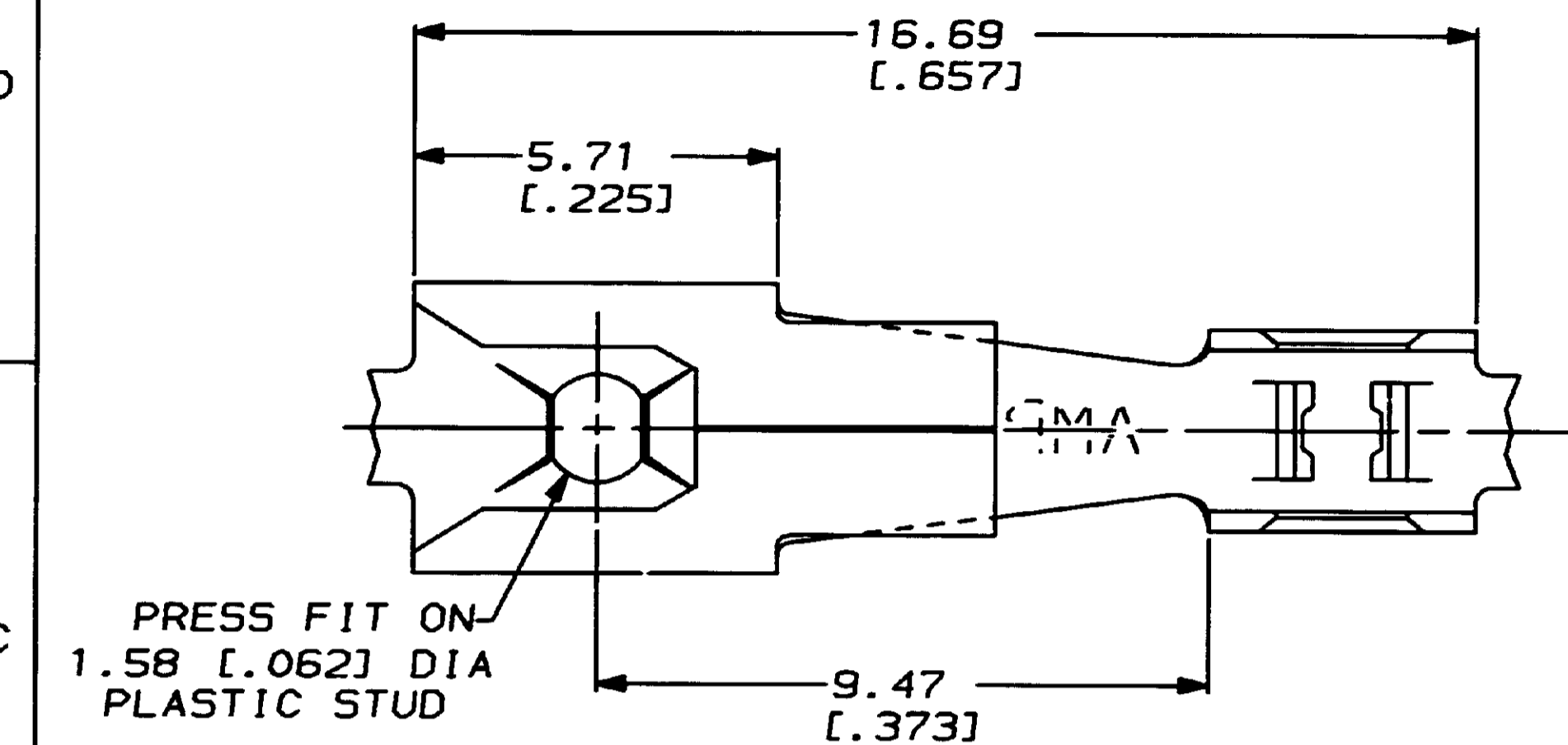
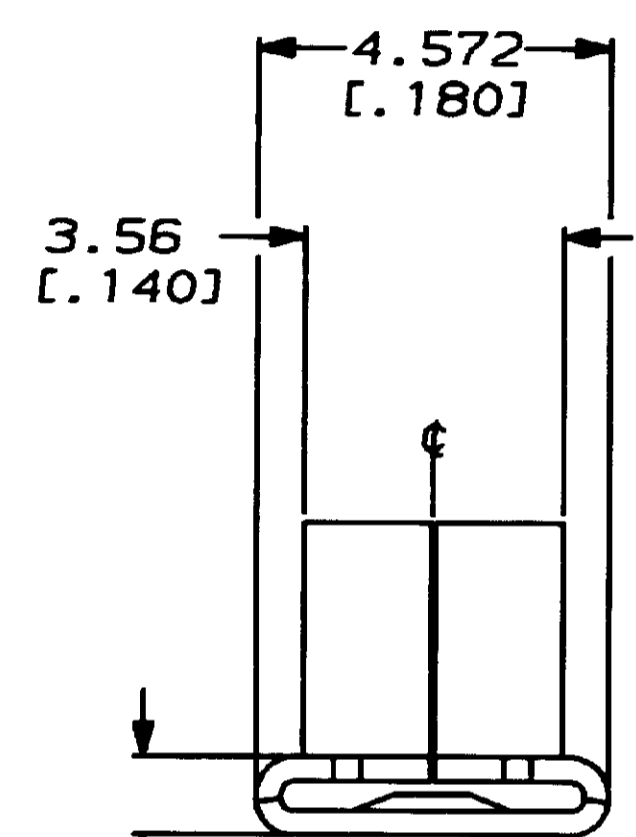
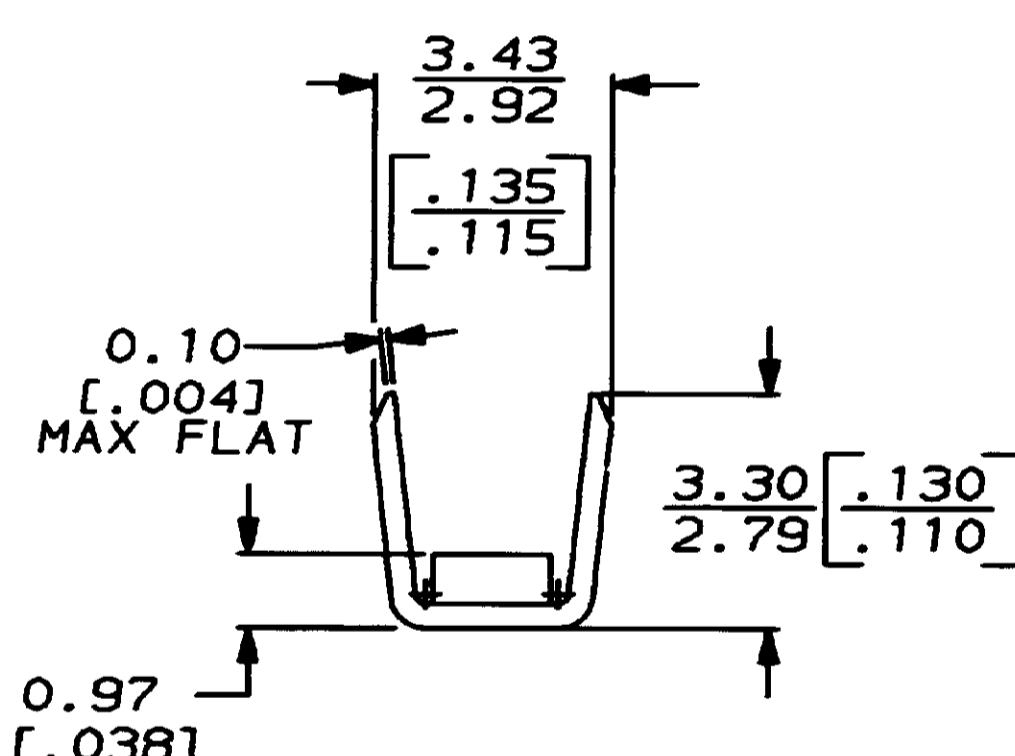
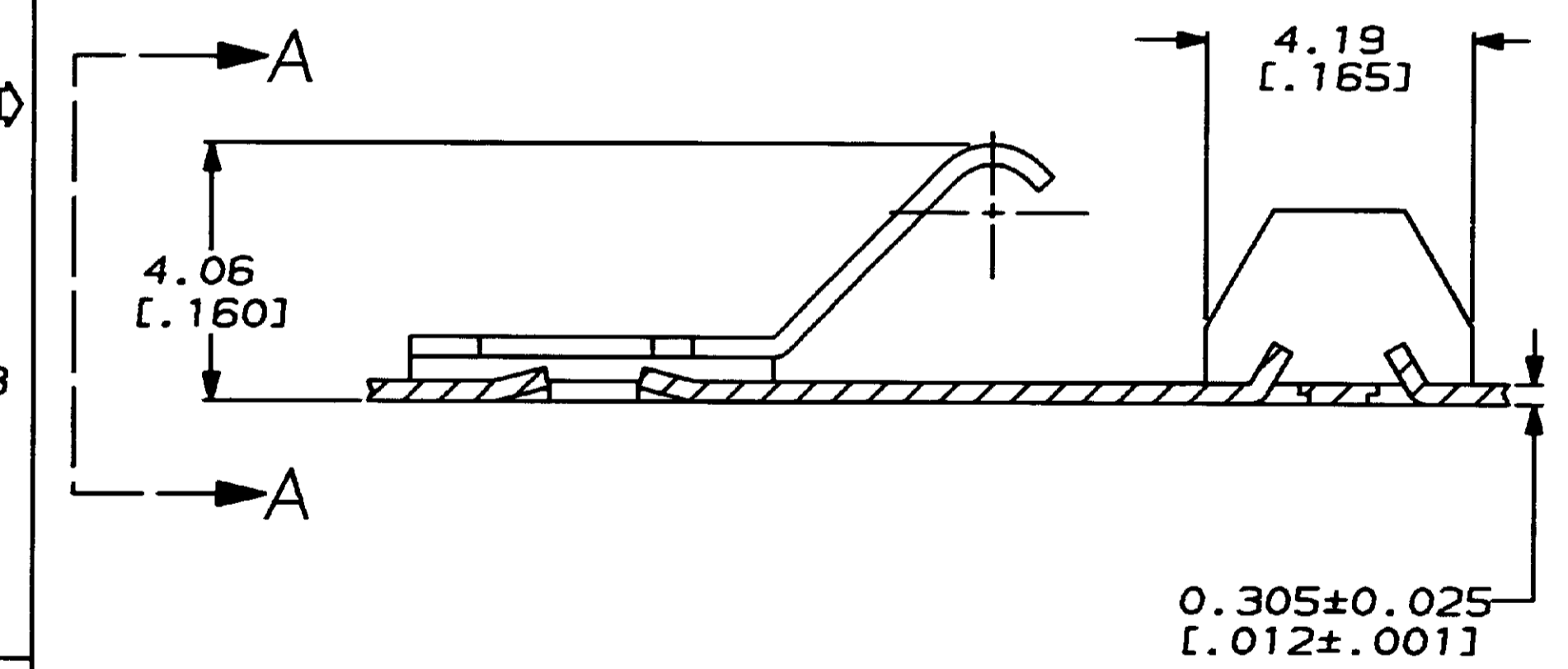


THIS DRAWING IS UNPUBLISHED. RELEASED FOR PUBLICATION, 19 .
© COPYRIGHT 19 BY AMP INCORPORATED. ALL INTERNATIONAL RIGHTS RESERVED.

LOC	DIST	P	F	ZONE	LTR	REVISIONS	DATE	APPD
AF	50				A	RELEASE PER FASR, AF-8187	10/26/92	PF/DS



1 CONTINUOUS STRIP ON REEL.



VIEW A-A

2.16 [.085] THK	0.3mm ² FLAT WIRE [22] AWG	63671-1
INSULATION RANGE	WIRE RANGE	PART NO

DO NOT SCALE PRINT. UNLESS SPECIFIED DIMENSIONS IN INCHES TOLERANCES ON: 2 PLC DEC ± 0.25 [.010] 3 PLC DEC ± - ANGLES ± -	DR 8/17/92 P FORTNEY
	CHK 8/17/92 JR RUTH
	APPD 8/17/92 D SCHENK
	APPD 8/17/92 R MEAVILL
MATERIAL H04 PHOS BRONZE	PRODUCT SPEC -
FINISH -	APPLICATION SPEC -
	WEIGHT -

AMP AMP Incorporated Harrisburg, PA 17105-3608		
NAME SPECIAL TERMINAL		
SIZE B	CAGE CODE 00779	DRAWING NO C-63671
SCALE 8:1	SHEET 1 OF 1	

THIS DRAWING IS A CONTROLLED DOCUMENT FOR AMP INCORPORATED. IT IS SUBJECT TO CHANGE AND THE CONTROLLING ENGINEERING ORGANIZATION SHOULD BE CONTACTED FOR THE LATEST REVISION.