

Advance Information
**Analog Multiplexers/
Demultiplexers with
Address Latch**
High-Performance Silicon-Gate CMOS

The MC74HC4351A utilizes silicon-gate CMOS technology to achieve fast propagation delays, low ON resistances, and low OFF leakage currents. These analog multiplexers/demultiplexers control analog voltages that may vary across the complete power supply range (from V_{CC} to V_{EE}).

The Channel-Select inputs determine which one of the Analog Inputs/Outputs is to be connected, by means of an analog switch, to the Common Output/Input. The data at the Channel-Select inputs may be latched by using the active-low Latch Enable pin. When Latch Enable is high, the latch is transparent. When either Enable 1 (active low) or Enable 2 (active high) is inactive, all analog switches are turned off.

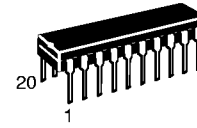
The Channel-Select and Enable inputs are compatible with standard CMOS outputs; with pullup resistors, they are compatible with LSTTL outputs.

The device has been designed so the ON resistance (R_{ON}) is more linear over input voltage than R_{ON} of metal-gate CMOS analog switches.

For multiplexers/demultiplexers without latches, see the HC4051A, HC4052A, and HC4053A.

- Fast Switching and Propagation Speeds
- Low Crosstalk Between Switches
- Diode Protection on All Inputs/Outputs
- Analog Power Supply Range (V_{CC} - V_{EE}) = 2.0 to 12.0 V
- Digital (Control) Power Supply Range (V_{CC} - GND) = 2.0 to 6.0 V
- Improved Linearity and Lower ON Resistance than Metal-Gate Types
- Low Noise
- In Compliance with the Requirements Defined by JEDEC Standard No. 7A
- Chip Complexity: 222 FETs or 55.5 Equivalent Gates

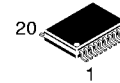
MC74HC4351A



N SUFFIX
PLASTIC PACKAGE
CASE 738-03



DW SUFFIX
SOIC PACKAGE
CASE 751D-04

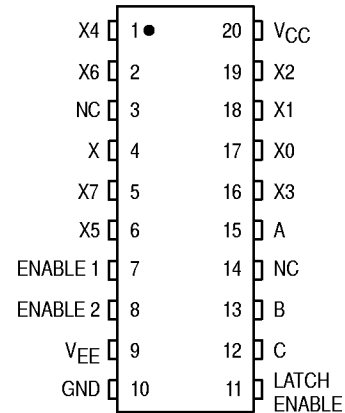


DT SUFFIX
TSSOP PACKAGE
CASE 948E-02

ORDERING INFORMATION

MC74HCXXXAN Plastic
MC74HCXXXADW SOIC
MC74HCXXXADT TSSOP

**PIN ASSIGNMENT
MC74HC4351A**

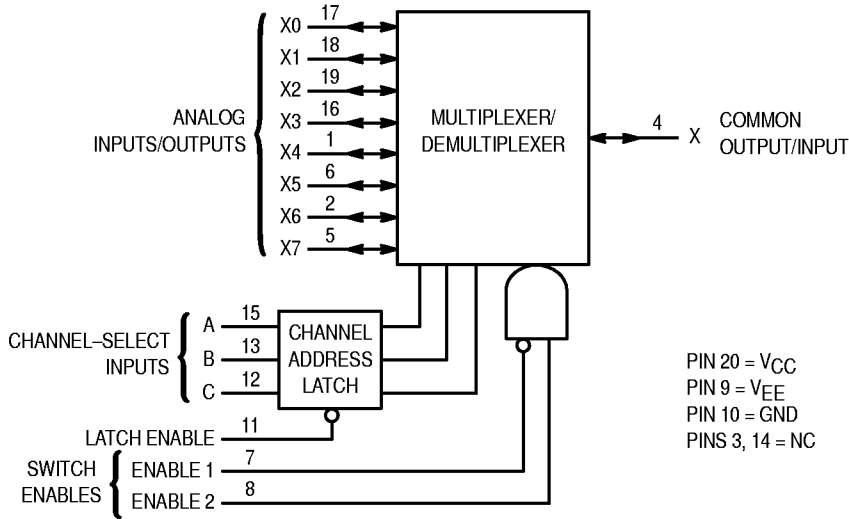


This document contains information on a new product. Specifications and information herein are subject to change without notice.



LOGIC DIAGRAM
MC74HC4351A

Single-Pole, 8-Position Plus Common Off and Address Latch



FUNCTION TABLE
MC74HC4351

Control Inputs				ON Channel (LE = H)*
Enable		Select		
1	2	C	B A	
L	H	L	L L	X0
L	H	L	L H	X1
L	H	L	H L	X2
L	H	L	H H	X3
L	H	H	L L	X4
L	H	H	L H	X5
L	H	H	H L	X6
L	H	H	H H	X7
H	X	X	X X	None
X	L	X	X X	None

X = don't care

* When Latch Enable is low, the Channel Selection is latched and the Channel Address Latch does not change states.

MAXIMUM RATINGS*

Symbol	Parameter	Value	Unit
V _{CC}	Positive DC Supply Voltage (Ref. to GND) (Ref. to V _{EE})	- 0.5 to + 7.0 - 0.5 to 14.0	V
V _{EE}	Negative DC Supply Voltage (Ref. to GND)	- 7.0 to + 0.5	V
V _{IS}	Analog Input Voltage	V _{EE} - 0.5 to V _{CC} + 0.5	V
V _{in}	DC Input Voltage (Ref. to GND)	- 0.5 to V _{CC} + 0.5	V
I	DC Current Into or Out of Any Pin	± 25	mA
P _D	Power Dissipation in Still Air, Plastic DIP† SOIC or TSSOP Package†	750 500	mW
T _{stg}	Storage Temperature	- 65 to + 150	°C
T _L	Lead Temperature, 1 mm from Case for 10 Seconds (Plastic DIP or SOIC Package)	260	°C

* Maximum Ratings are those values beyond which damage to the device may occur. Functional operation should be restricted to the Recommended Operating Conditions.

† Derating — Plastic DIP: - 10 mW/°C from 65° to 125°C
SOIC Package: - 7 mW/°C from 65° to 125°C
TSSOP Package: - 6.1 mW/°C from 65° to 125°C

For high frequency or heavy load considerations, see Chapter 2 of the Motorola High-Speed CMOS Data Book (DL129/D).

This device contains protection circuitry to guard against damage due to high static voltages or electric fields. However, precautions must be taken to avoid applications of any voltage higher than maximum rated voltages to this high-impedance circuit. For proper operation, V_{in} and V_{out} should be constrained to the ranges indicated in the Recommended Operating Conditions. Unused digital input pins must be tied to an appropriate logic voltage level (e.g., either GND or V_{CC}). Unused Analog I/O pins may be left open or terminated. See Applications Information.

RECOMMENDED OPERATING CONDITIONS

Symbol	Parameter	Min	Max	Unit
V_{CC}	Positive DC Supply Voltage (Ref. to GND) (Ref. to V_{EE})	2.0 2.0	6.0 12.0	V
V_{EE}	Negative DC Supply Voltage (Ref. to GND)	-6.0	GND	V
V_{IS}	Analog Input Voltage	V_{EE}	V_{CC}	V
V_{in}	Digital Input Voltage (Ref. to GND)	GND	V_{CC}	V
V_{IO}^*	Static or Dynamic Voltage Across Switch	—	1.2	V
T_A	Operating Temperature, All Package Types	-55	+125	°C
t_r, t_f	Input Rise and Fall Time, Channel Select or Enable Inputs (Figure 9a)	$V_{CC} = 2.0\text{ V}$ $V_{CC} = 4.5\text{ V}$ $V_{CC} = 6.0\text{ V}$	0 500 400	ns

* For voltage drops across the switch greater than 1.2 V (switch on), excessive V_{CC} current may be drawn; i.e., the current out of the switch may contain both V_{CC} and switch input components. The reliability of the device will be unaffected unless the Maximum Ratings are exceeded.

DC ELECTRICAL CHARACTERISTICS Digital Section (Voltages Referenced to GND) $V_{EE} = \text{GND}$, Except Where Noted

Symbol	Parameter	Test Conditions	V_{CC} V	Guaranteed Limit			Unit
				-55 to 25°C	≤ 85°C	≤ 125°C	
V_{IH}	Minimum High-Level Input Voltage, Channel-Select or Enable Inputs	$R_{on} = \text{Per Spec}$	2.0	1.5	1.5	1.5	V
			3.0	2.1	2.1	2.1	
			4.5	3.15	3.15	3.15	
			6.0	4.2	4.2	4.2	
V_{IL}	Maximum Low-Level Input Voltage, Channel-Select or Enable Inputs	$R_{on} = \text{Per Spec}$	2.0	0.5	0.5	0.5	V
			3.0	0.9	0.9	0.9	
			4.5	1.35	1.35	1.35	
			6.0	1.8	1.8	1.8	
I_{in}	Maximum Input Leakage Current, Channel-Select or Enable Inputs	$V_{in} = V_{CC}$ or GND, $V_{EE} = -6.0\text{ V}$	6.0	±0.1	±1.0	±1.0	μA
I_{CC}	Maximum Quiescent Supply Current (per Package)	Channel Select = V_{CC} or GND Enables = V_{CC} or GND $V_{IS} = V_{CC}$ or GND $V_{EE} = \text{GND}$ $V_{IO} = 0\text{ V}$ $V_{EE} = -6.0$	6.0	1	10	40	μA
			6.0	4	40	160	

NOTE: Information on typical parametric values can be found in Chapter 2 of the Motorola High-Speed CMOS Data Book (DL129/D).

DC ELECTRICAL CHARACTERISTICS Analog Section

Symbol	Parameter	Test Conditions	V_{CC} V	V_{EE} V	Guaranteed Limit			Unit
					-55 to 25°C	≤ 85°C	≤ 125°C	
R_{on}	Maximum "ON" Resistance	$V_{in} = V_{IL}$ or V_{IH} $V_{IS} = V_{CC}$ to V_{EE} $I_S \leq 2.0\text{ mA}$ (Figures 1, 2)	4.5	0.0	190	240	280	Ω
			4.5	-4.5	120	150	170	
			6.0	-6.0	100	125	140	
		$V_{in} = V_{IL}$ or V_{IH} $V_{IS} = V_{CC}$ or V_{EE} (Endpoints) $I_S \leq 2.0\text{ mA}$ (Figures 1, 2)	4.5	0.0	150	190	230	
			4.5	-4.5	100	125	140	
			6.0	-6.0	80	100	115	
ΔR_{on}	Maximum Difference in "ON" Resistance Between Any Two Channels in the Same Package	$V_{in} = V_{IL}$ or V_{IH} $V_{IS} = 1/2 (V_{CC} - V_{EE})$ $I_S \leq 2.0\text{ mA}$	4.5	0.0	30	35	40	Ω
			4.5	-4.5	12	15	18	
			6.0	-6.0	10	12	14	

DC ELECTRICAL CHARACTERISTICS Analog Section

Symbol	Parameter	Test Conditions	V _{CC} V	V _{EE} V	Guaranteed Limit			Unit
					- 55 to 25°C	≤ 85°C	≤ 125°C	
I _{off}	Maximum Off-Channel Leakage Current, Any One Channel	V _{in} = V _{IL} or V _{IH} V _{IO} = V _{CC} - V _{EE} Switch Off (Figure 3)	6.0	-6.0	0.1	0.5	1.0	μA
	Maximum Off-Channel Leakage Current, Common Channel	V _{in} = V _{IL} or V _{IH} V _{IO} = V _{CC} - V _{EE} Switch Off (Figure 4)	6.0	-6.0	0.2	2.0	4.0	
I _{on}	Maximum On-Channel Leakage Current, Channel to Channel	V _{in} = V _{IL} or V _{IH} Switch to Switch = V _{CC} - V _{EE} (Figure 5)	6.0	-6.0	0.2	2.0	4.0	μA

AC ELECTRICAL CHARACTERISTICS (C_L = 50 pF, Input t_r = t_f = 6 ns)

Symbol	Parameter	V _{CC} V	Guaranteed Limit			Unit	
			- 55 to 25°C	≤ 85°C	≤ 125°C		
t _{PLH} , t _{PHL}	Maximum Propagation Delay, Channel-Select to Analog Output (Figure 9)	2.0	370	465	550	ns	
		4.5	74	93	110		
		6.0	63	79	94		
t _{PLH} , t _{PHL}	Maximum Propagation Delay, Analog Input to Analog Output (Figure 10)	2.0	60	75	90	ns	
		4.5	12	15	18		
		6.0	10	13	15		
t _{PLH} , t _{PHL}	Maximum Propagation Delay, Latch Enable to Analog Output (Figure 12)	2.0	325	410	485	ns	
		4.5	65	82	97		
		6.0	55	70	82		
t _{PZL} , t _{PHZ}	Maximum Propagation Delay, Enable 1 or 2 to Analog Output (Figure 11)	2.0	290	365	435	ns	
		4.5	58	73	87		
		6.0	49	62	74		
t _{PZL} , t _{PZH}	Maximum Propagation Delay, Enable 1 or 2 to Analog Output (Figure 11)	2.0	345	435	515	ns	
		4.5	69	87	103		
		6.0	59	74	87		
C _{in}	Maximum Input Capacitance	—	10	10	10	pF	
C _{I/O}	Maximum Capacitance Analog I/O	Enable 1 = V _{IH} , Enable 2 = V _{IL}	—	35	35	35	pF
	Common O/I		—	130	130	130	
	Feedthrough		—	1.0	1.0	1.0	

NOTES:

1. For propagation delays with loads other than 50 pF, see Chapter 2 of the Motorola High-Speed CMOS Data Book (DL129/D).
2. Information on typical parametric values can be found in Chapter 2 of the Motorola High-Speed CMOS Data Book (DL129/D).

C _{PD}	Power Dissipation Capacitance (Per Package) (Figure 14)*	Typical @ 25°C, V _{CC} = 5.0 V	pF
		45	

* Used to determine the no-load dynamic power consumption: P_D = C_{PD} V_{CC}²f + I_{CC} V_{CC}. For load considerations, see Chapter 2 of the Motorola High-Speed CMOS Data Book (DL129/D).

TIMING REQUIREMENTS (Input $t_r = t_f = 6$ ns)

Symbol	Parameter	V _{CC} V	Guaranteed Limit			Unit
			– 55 to 25°C	≤ 85°C	≤ 125°C	
t_{SU}	Minimum Setup Time, Channel–Select to Latch Enable (Figure 12)	2.0	100	125	150	ns
		4.5	20	25	30	
		6.0	17	21	26	
t_H	Minimum Hold Time, Latch Enable to Channel Select (Figure 12)	2.0	0	0	0	ns
		4.5	0	0	0	
		6.0	0	0	0	
t_W	Minimum Pulse Width, Latch Enable (Figure 12)	2.0	80	100	120	ns
		4.5	16	20	24	
		6.0	14	17	20	
t_r, t_f	Maximum Input Rise and Fall Times, Channel–Select, Latch Enable, and Enables 1 and 2	2.0	1000	1000	1000	ns
		4.5	500	500	500	
		6.0	400	400	400	

NOTE: Information on typical parametric values can be found in Chapter 2 of the Motorola High–Speed CMOS Data Book (DL129/D).

ADDITIONAL APPLICATION CHARACTERISTICS (GND = 0.0 V)

Symbol	Parameter	Test Condition	V _{CC} V	V _{EE} V	Limit*			Unit
					25°C 74HC			
BW	Maximum On–Channel Bandwidth or Minimum Frequency Response (Figure 6)	$f_{in} = 1$ MHz Sine Wave Adjust f_{in} Voltage to Obtain 0 dBm at V_{OS} Increase f_{in} Frequency Until dB Meter Reads – 3 dB $R_L = 50 \Omega, C_L = 10$ pF	2.25 4.50 6.00	– 2.25 – 4.50 – 6.00	51 80 80 80	52 95 95 95	53 120 120 120	MHz
—	Off–Channel Feedthrough Isolation (Figure 7)	$f_{in} \equiv$ Sine Wave Adjust f_{in} Voltage to Obtain 0 dBm at V_{IS} $f_{in} = 10$ kHz, $R_L = 600 \Omega, C_L = 50$ pF $f_{in} = 1.0$ MHz, $R_L = 50 \Omega, C_L = 10$ pF	2.25 4.50 6.00 2.25 4.50 6.00	– 2.25 – 4.50 – 6.00 – 2.25 – 4.50 – 6.00	– 50 – 50 – 50 – 40 – 40 – 40			dB
—	Feedthrough Noise, Channel Select Input to Common O/I (Figure 8)	$V_{in} \leq 1$ MHz Square Wave ($t_r = t_f = 6$ ns) Adjust R_L at Setup so that $I_S = 0$ A Enable = GND $R_L = 600 \Omega, C_L = 50$ pF $R_L = 10$ k $\Omega, C_L = 10$ pF	2.25 4.50 6.00 2.25 4.50 6.00	– 2.25 – 4.50 – 6.00 – 2.25 – 4.50 – 6.00	25 105 135 35 145 190			mVpp
—	Crosstalk Between Any Two Switches (Figure 13) (Test does not apply to HC4351)	$f_{in} \equiv$ Sine Wave Adjust f_{in} Voltage to Obtain 0 dBm at V_{IS} $f_{in} = 10$ kHz, $R_L = 600 \Omega, C_L = 50$ pF $f_{in} = 1$ MHz, $R_L = 50 \Omega, C_L = 10$ pF	2.25 4.50 6.00 2.25 4.50 6.00	– 2.25 – 4.50 – 6.00 – 2.25 – 4.50 – 6.00	– 50 – 50 – 50 – 60 – 60 – 60			dB
THD	Total Harmonic Distortion (Figure 15)	$f_{in} = 1$ kHz, $R_L = 10$ k $\Omega, C_L = 50$ pF THD = THD _{Measured} – THD _{Source} $V_{IS} = 4.0$ V _{pp} sine wave $V_{IS} = 8.0$ V _{pp} sine wave $V_{IS} = 11.0$ V _{pp} sine wave	2.25 4.50 6.00	– 2.25 – 4.50 – 6.00	0.10 0.08 0.05			%

* Limits not tested. Determined by design and verified by qualification.

MC74HC4351A

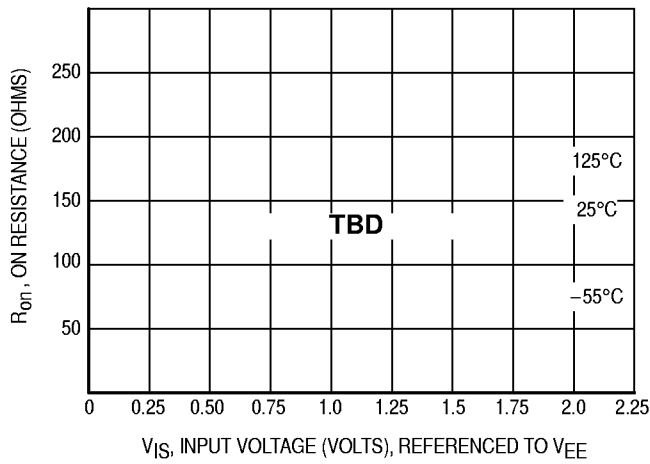


Figure 1a. Typical On Resistance, $V_{CC} - V_{EE} = 2.0 \text{ V}$

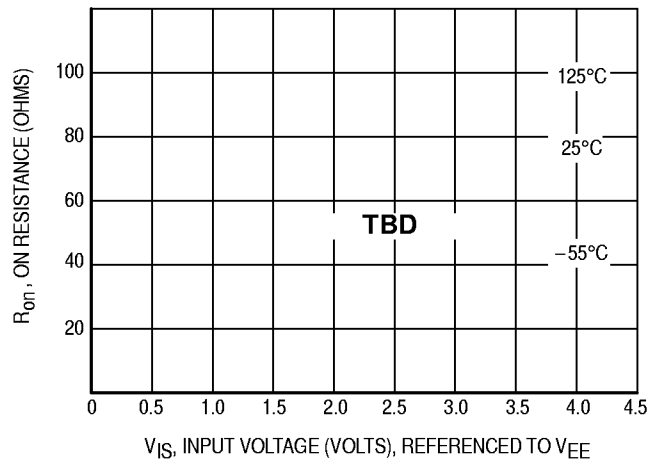


Figure 1b. Typical On Resistance, $V_{CC} - V_{EE} = 4.5 \text{ V}$

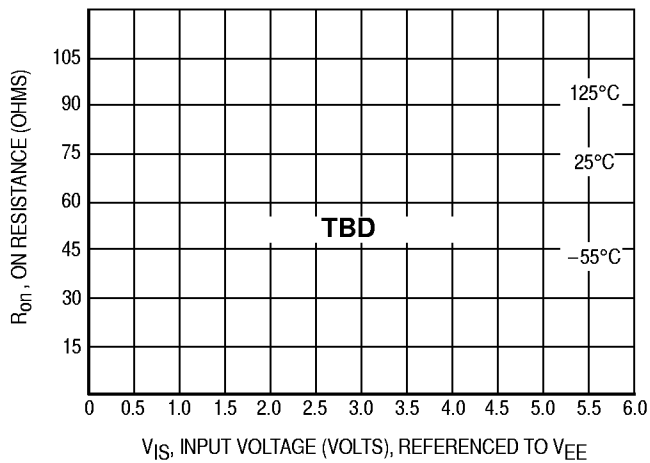


Figure 1c. Typical On Resistance, $V_{CC} - V_{EE} = 6.0 \text{ V}$

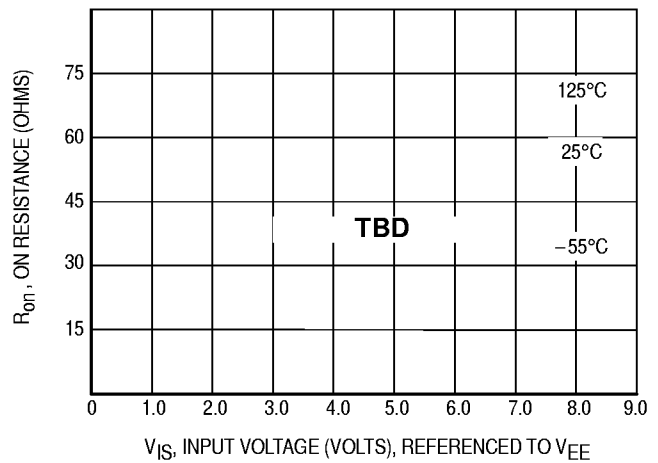


Figure 1d. Typical On Resistance, $V_{CC} - V_{EE} = 9.0 \text{ V}$

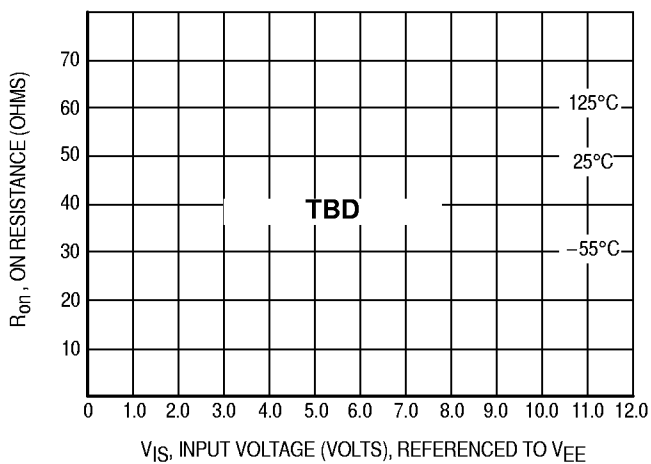


Figure 1e. Typical On Resistance, $V_{CC} - V_{EE} = 12.0 \text{ V}$

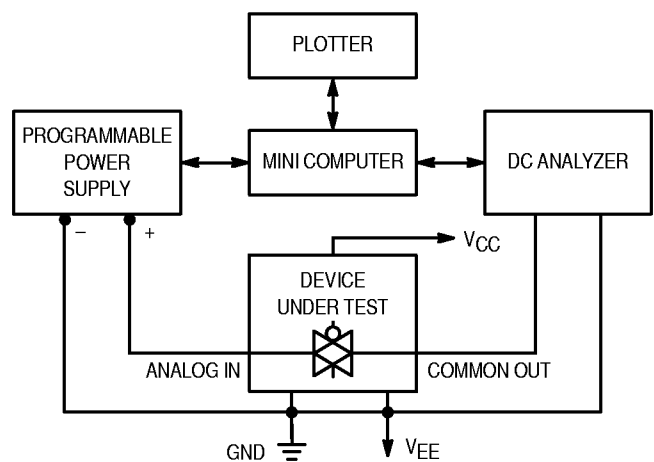


Figure 2. On Resistance Test Set-Up

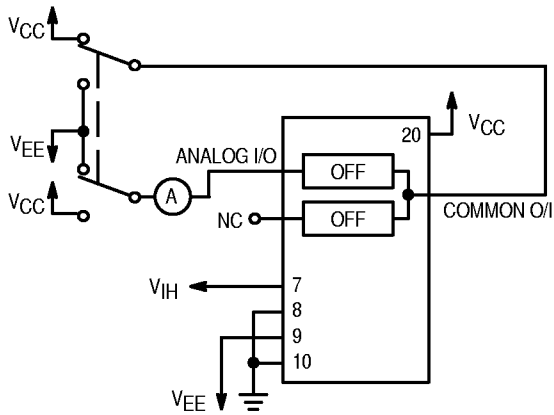


Figure 3. Maximum Off Channel Leakage Current, Any One Channel, Test Set-Up

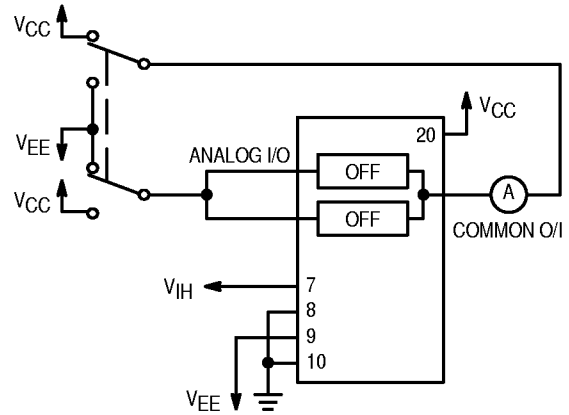


Figure 4. Maximum Off Channel Leakage Current, Common Channel, Test Set-Up

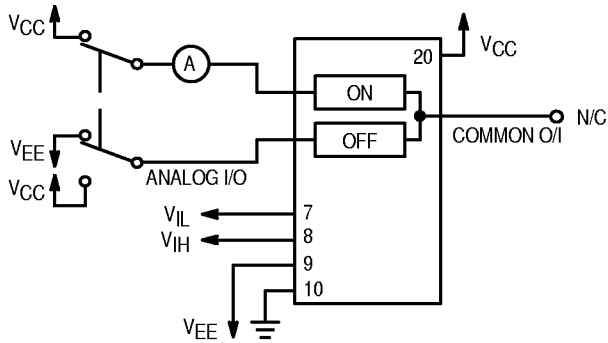
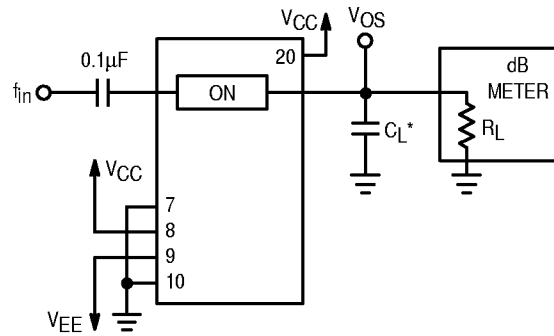
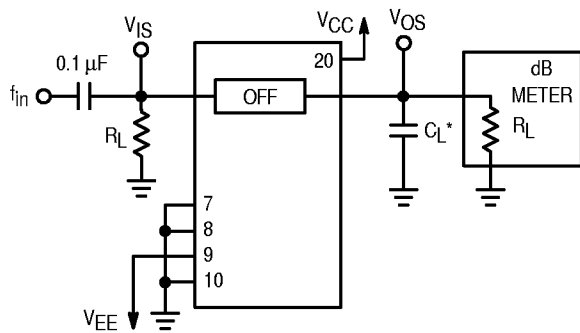


Figure 5. Maximum On Channel Leakage Current, Channel to Channel, Test Set-Up



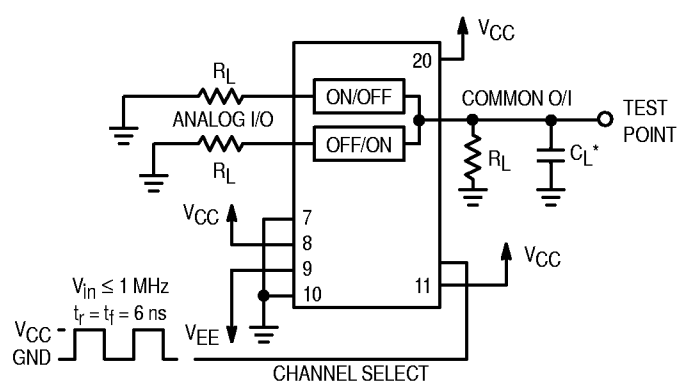
*Includes all probe and jig capacitance.

Figure 6. Maximum On Channel Bandwidth, Test Set-Up



*Includes all probe and jig capacitance.

Figure 7. Off Channel Feedthrough Isolation, Test Set-Up



*Includes all probe and jig capacitance.

Figure 8. Feedthrough Noise, Channel Select to Common Out, Test Set-Up

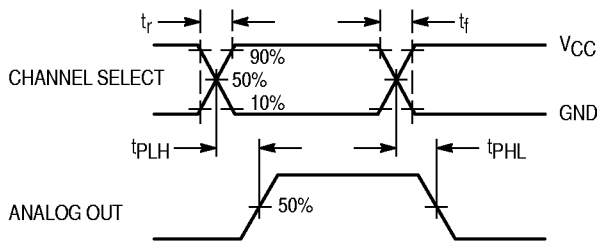
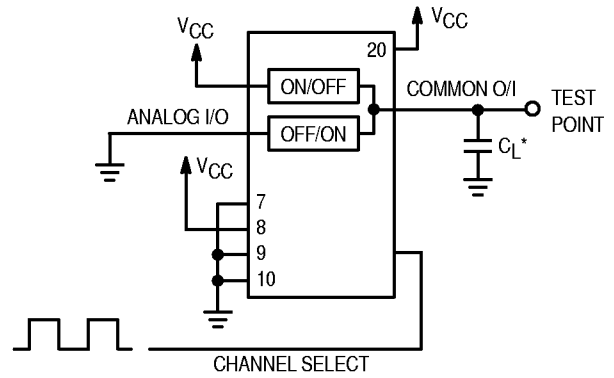


Figure 9a. Propagation Delays, Channel Select to Analog Out



*Includes all probe and jig capacitance.

Figure 9b. Propagation Delay, Test Set-Up Channel Select to Analog Out

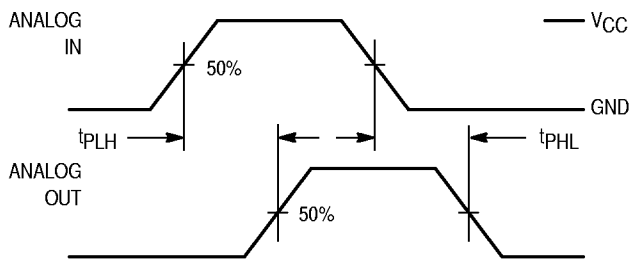
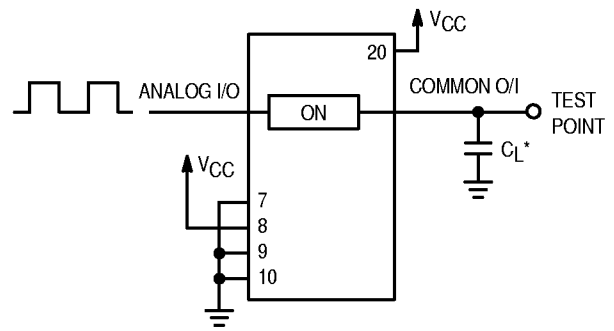


Figure 10a. Propagation Delays, Analog In to Analog Out



*Includes all probe and jig capacitance.

Figure 10b. Propagation Delay, Test Set-Up Analog In to Analog Out

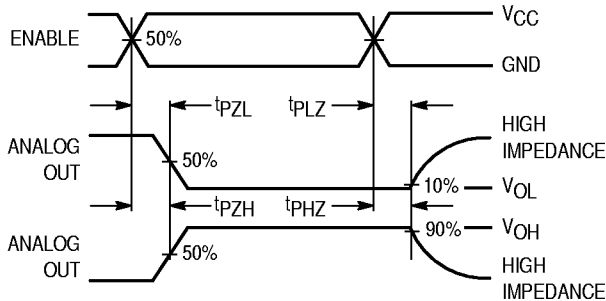


Figure 11a. Propagation Delay, Enable 1 or 2 to Analog Out

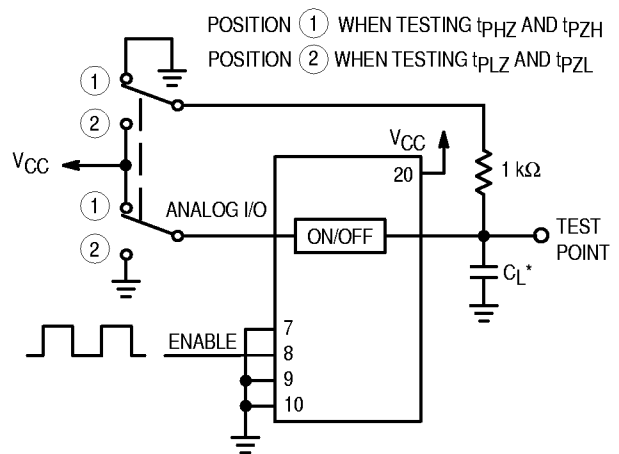


Figure 11b. Propagation Delay, Test Set-Up Enable to Analog Out

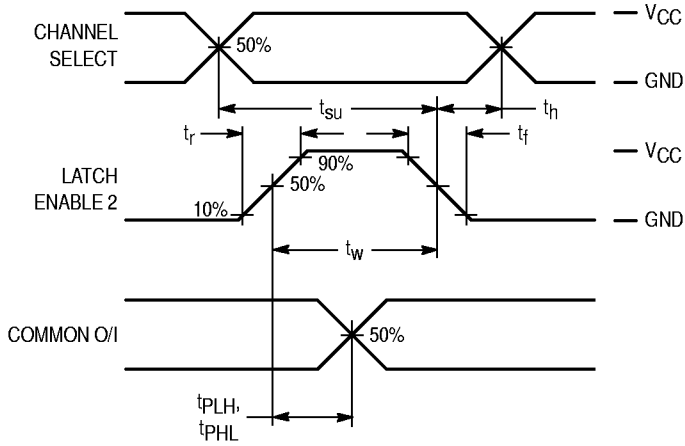
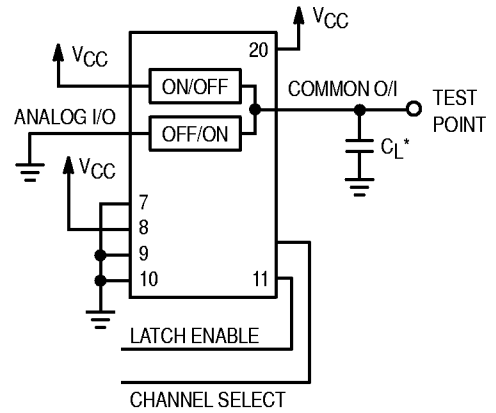
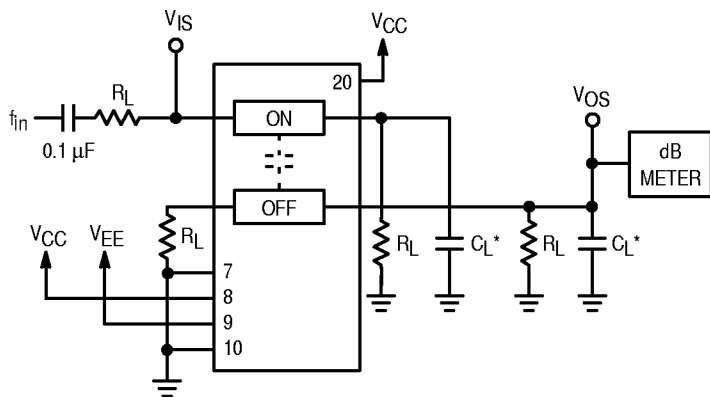


Figure 12a. Propagation Delay, Latch Enable to Analog Out



*Includes all probe and jig capacitance.

Figure 12b. Propagation Delay, Test Set-Up Latch Enable to Analog Out



*Includes all probe and jig capacitance.

Figure 13. Crosstalk Between Any Two Switches, Test Set-Up

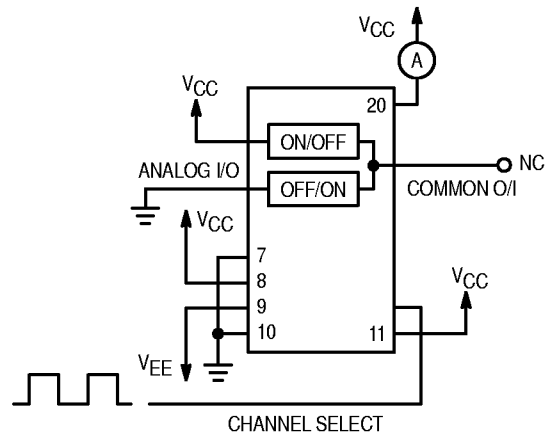
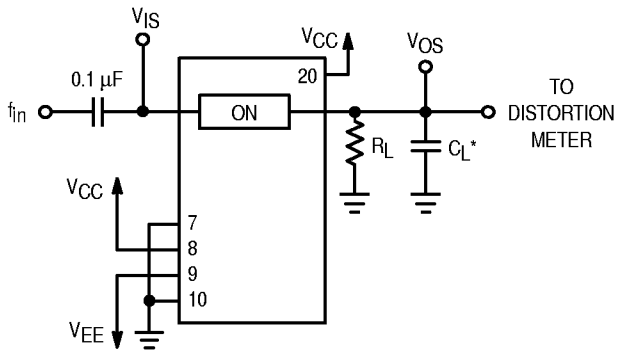


Figure 14. Power Dissipation Capacitance, Test Set-Up



*Includes all probe and jig capacitance.

Figure 15a. Total Harmonic Distortion, Test Set-Up

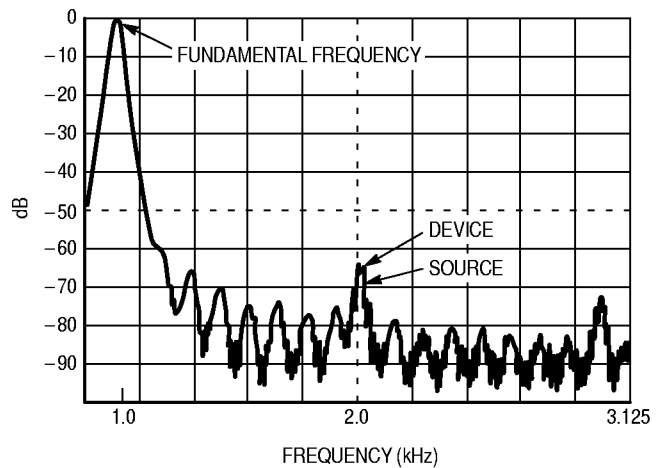


Figure 15b. Plot, Harmonic Distortion

APPLICATIONS INFORMATION

The Channel Select and Enable control pins should be at V_{CC} or GND logic levels. V_{CC} being recognized as a logic high and GND being recognized as a logic low. In this example:

$$V_{CC} = +5\text{ V} = \text{logic high}$$

$$GND = 0\text{ V} = \text{logic low}$$

The maximum analog voltage swings are determined by the supply voltages V_{CC} and V_{EE} . The positive peak analog voltage should not exceed V_{CC} . Similarly, the negative peak analog voltage should not go below V_{EE} . In this example, the difference between V_{CC} and V_{EE} is ten volts. Therefore, using the configuration in Figure 16, a maximum analog signal of ten volts peak-to-peak can be controlled. Unused analog inputs/outputs may be left floating (i.e., not connected). How-

ever, tying unused analog inputs and outputs to V_{CC} or GND through a low value resistor helps minimize crosstalk and feedthrough noise that may be picked up by an unused switch.

Although used here, balanced supplies are not a requirement. The only constraints on the power supplies are that:

$$V_{CC} - GND = 2 \text{ to } 6 \text{ volts}$$

$$V_{EE} - GND = 0 \text{ to } -6 \text{ volts}$$

$$V_{CC} - V_{EE} = 2 \text{ to } 12 \text{ volts}$$

and $V_{EE} \leq GND$

When voltage transients above V_{CC} and/or below V_{EE} are anticipated on the analog channels, external Germanium or Schottky diodes (D_x) are recommended as shown in Figure 17. These diodes should be able to absorb the maximum anticipated current surges during clipping.

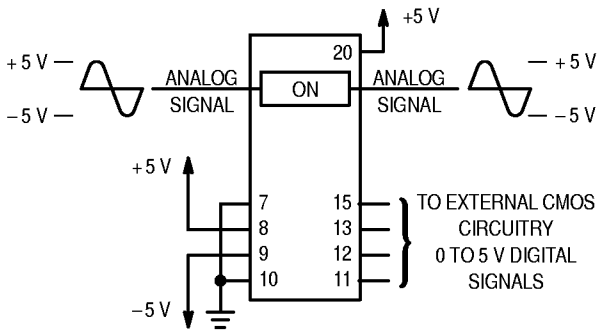


Figure 16. Application Example

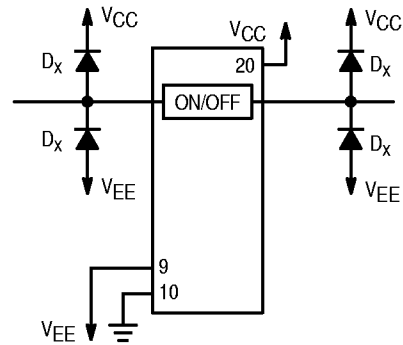
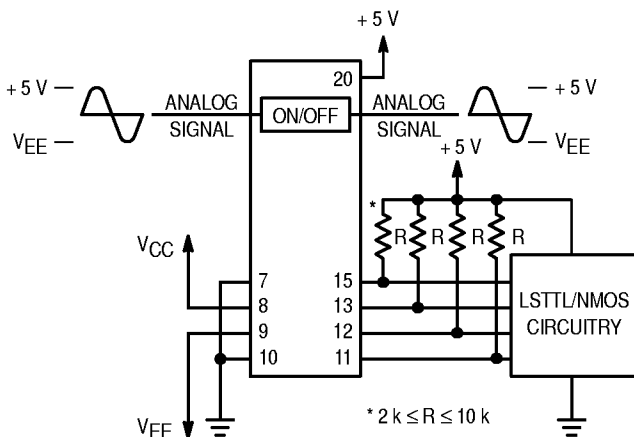
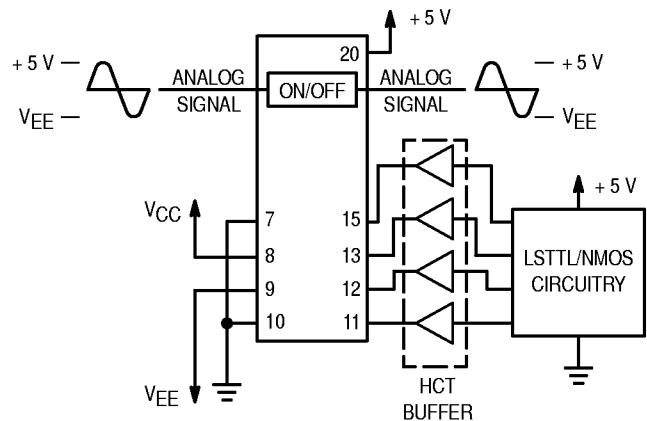


Figure 17. External Germanium or Schottky Clipping Diodes



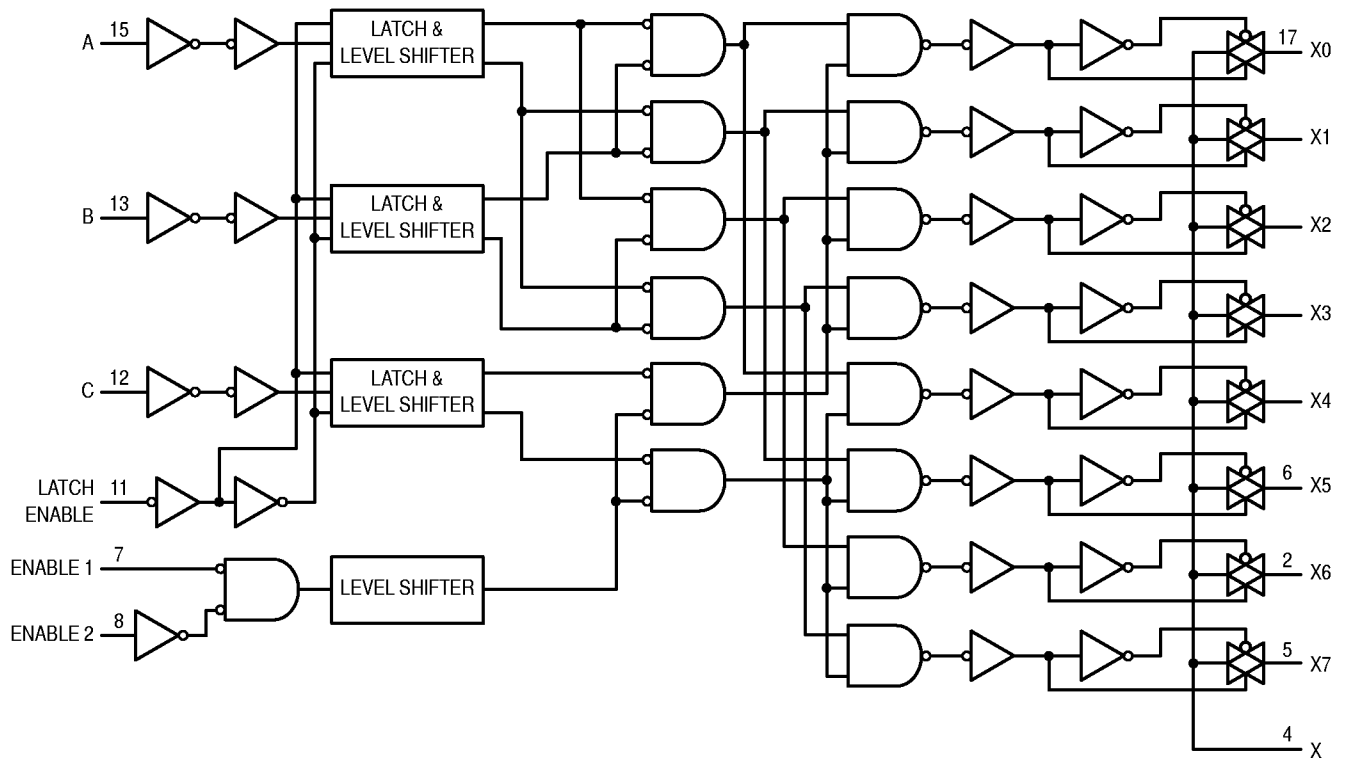
a. Using Pull-Up Resistors



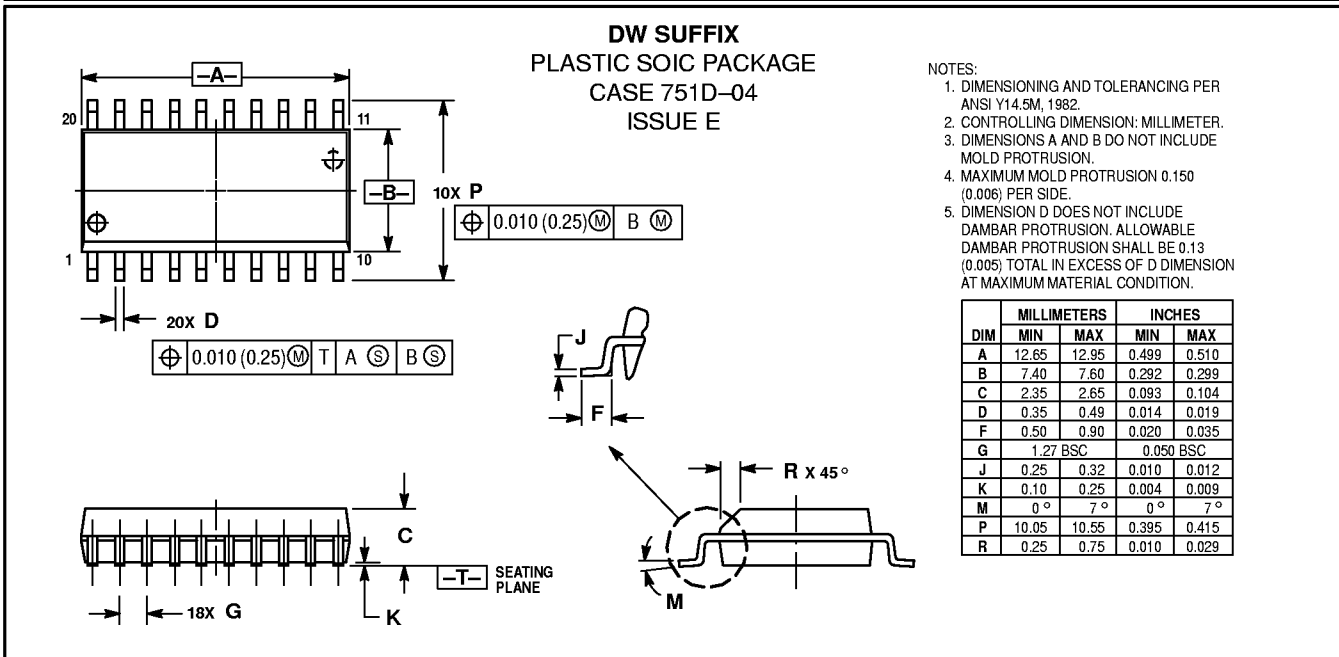
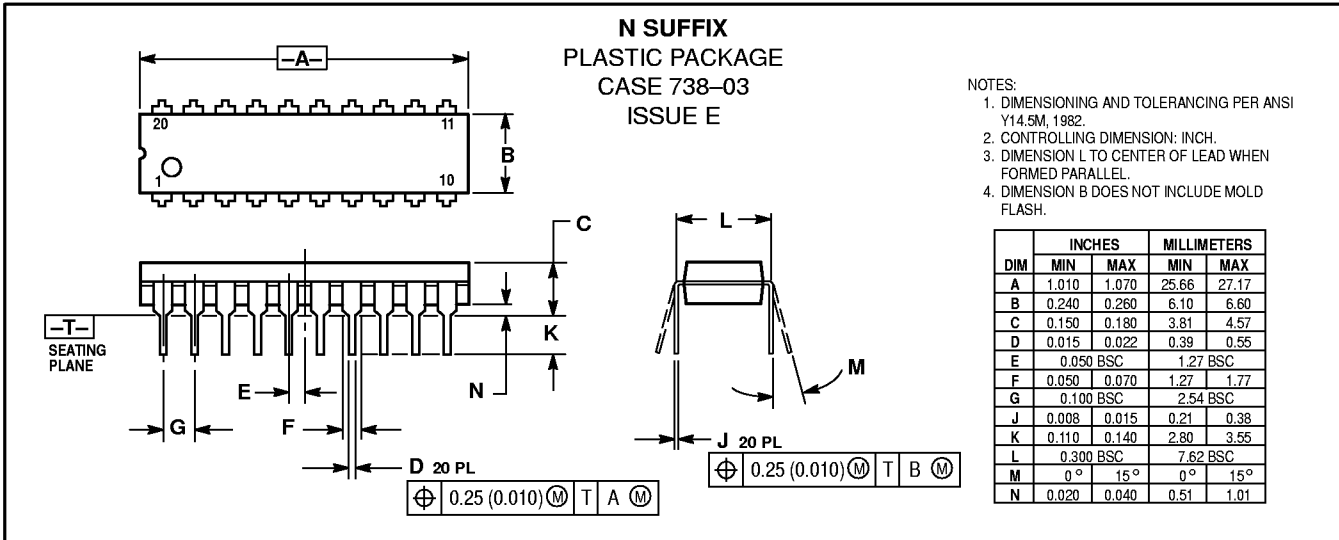
b. Using HCT Interface

Figure 18. Interfacing LSTTL/NMOS to CMOS Inputs

FUNCTION DIAGRAM HC4351A

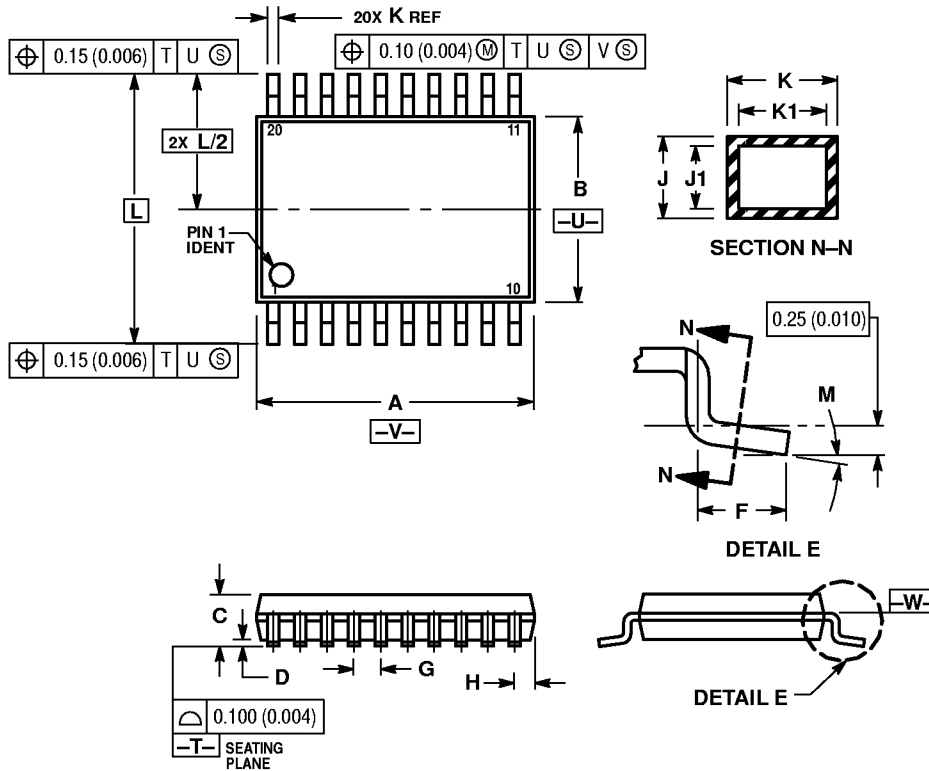


OUTLINE DIMENSIONS



OUTLINE DIMENSIONS

DT SUFFIX
PLASTIC TSSOP PACKAGE
CASE 948E-02
ISSUE A



- NOTES:
1. DIMENSIONING AND TOLERANCING PER ANSI Y14.5M, 1982.
 2. CONTROLLING DIMENSION: MILLIMETER.
 3. DIMENSION A DOES NOT INCLUDE MOLD FLASH, PROTRUSIONS OR GATE BURRS. MOLD FLASH OR GATE BURRS SHALL NOT EXCEED 0.15 (0.006) PER SIDE.
 4. DIMENSION B DOES NOT INCLUDE INTERLEAD FLASH OR PROTRUSION. INTERLEAD FLASH OR PROTRUSION SHALL NOT EXCEED 0.25 (0.010) PER SIDE.
 5. DIMENSION K DOES NOT INCLUDE DAMBAR PROTRUSION. ALLOWABLE DAMBAR PROTRUSION SHALL BE 0.08 (0.003) TOTAL IN EXCESS OF THE K DIMENSION AT MAXIMUM MATERIAL CONDITION.
 6. TERMINAL NUMBERS ARE SHOWN FOR REFERENCE ONLY.
 7. DIMENSION A AND B ARE TO BE DETERMINED AT DATUM PLANE -W-.

DIM	MILLIMETERS		INCHES	
	MIN	MAX	MIN	MAX
A	6.40	6.60	0.252	0.260
B	4.30	4.50	0.169	0.177
C	—	1.20	—	0.047
D	0.05	0.15	0.002	0.006
F	0.50	0.75	0.020	0.030
G	0.65 BSC		0.026 BSC	
H	0.27	0.37	0.011	0.015
J	0.09	0.20	0.004	0.008
J1	0.09	0.16	0.004	0.006
K	0.19	0.30	0.007	0.012
K1	0.19	0.25	0.007	0.010
L	6.40 BSC		0.252 BSC	
M	0°	8°	0°	8°

Motorola reserves the right to make changes without further notice to any products herein. Motorola makes no warranty, representation or guarantee regarding the suitability of its products for any particular purpose, nor does Motorola assume any liability arising out of the application or use of any product or circuit, and specifically disclaims any and all liability, including without limitation consequential or incidental damages. "Typical" parameters which may be provided in Motorola data sheets and/or specifications can and do vary in different applications and actual performance may vary over time. All operating parameters, including "Typicals" must be validated for each customer application by customer's technical experts. Motorola does not convey any license under its patent rights nor the rights of others. Motorola products are not designed, intended, or authorized for use as components in systems intended for surgical implant into the body, or other applications intended to support or sustain life, or for any other application in which the failure of the Motorola product could create a situation where personal injury or death may occur. Should Buyer purchase or use Motorola products for any such unintended or unauthorized application, Buyer shall indemnify and hold Motorola and its officers, employees, subsidiaries, affiliates, and distributors harmless against all claims, costs, damages, and expenses, and reasonable attorney fees arising out of, directly or indirectly, any claim of personal injury or death associated with such unintended or unauthorized use, even if such claim alleges that Motorola was negligent regarding the design or manufacture of the part. Motorola and are registered trademarks of Motorola, Inc. Motorola, Inc. is an Equal Opportunity/Affirmative Action Employer.

Mfax is a trademark of Motorola, Inc.

How to reach us:

USA / EUROPE / Locations Not Listed: Motorola Literature Distribution; P.O. Box 5405, Denver, Colorado 80217. 1-303-675-2140 or 1-800-441-2447

JAPAN: Nippon Motorola Ltd.: SPD, Strategic Planning Office, 141, 4-32-1 Nishi-Gotanda, Shagawa-ku, Tokyo, Japan. 03-5487-8488

Customer Focus Center: 1-800-521-6274

Mfax™: RMFAX0@email.sps.mot.com – TOUCHTONE 1-602-244-6609
Motorola Fax Back System – US & Canada ONLY 1-800-774-1848
– http://sps.motorola.com/mfax/

ASIA/PACIFIC: Motorola Semiconductors H.K. Ltd.; 8B Tai Ping Industrial Park, 51 Ting Kok Road, Tai Po, N.T., Hong Kong. 852-26629298

HOME PAGE: http://motorola.com/sps/

