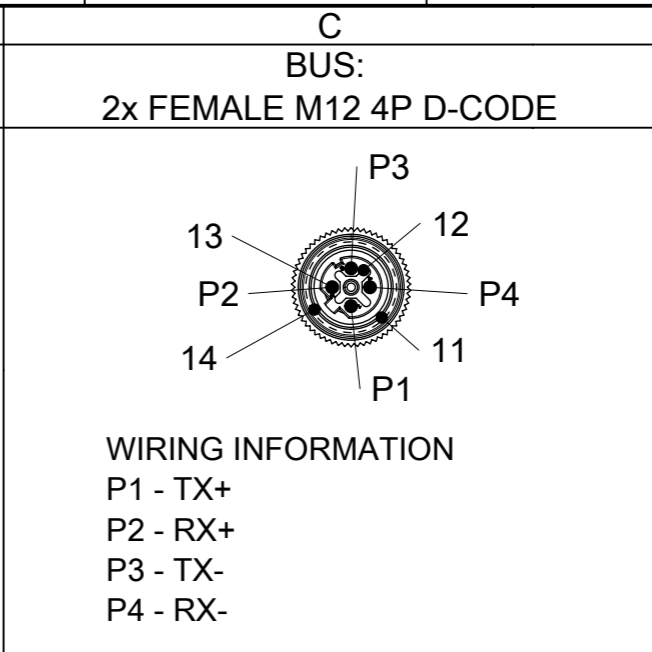
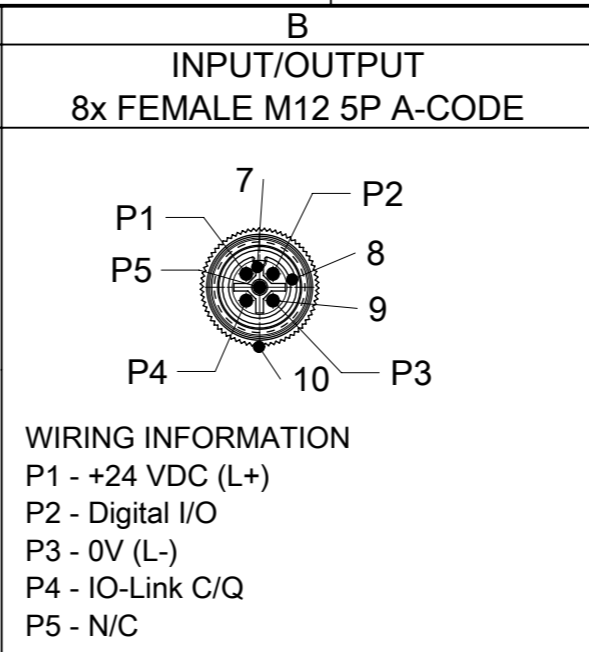
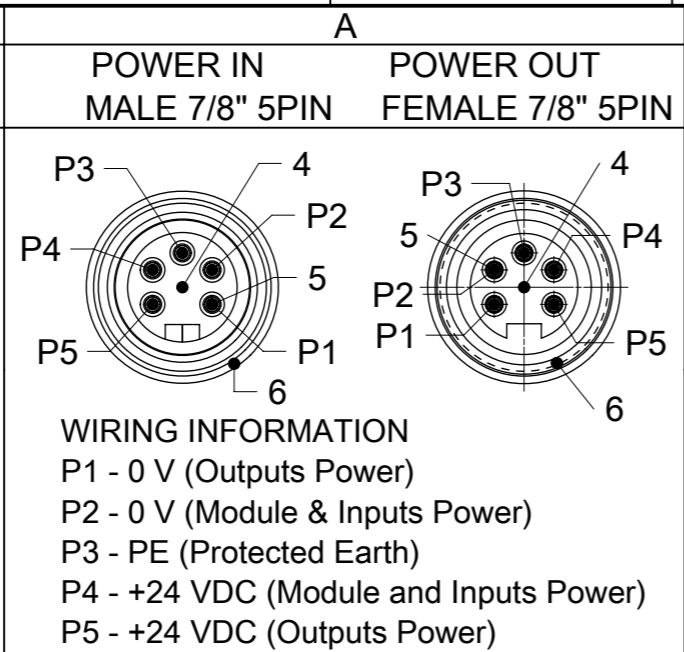
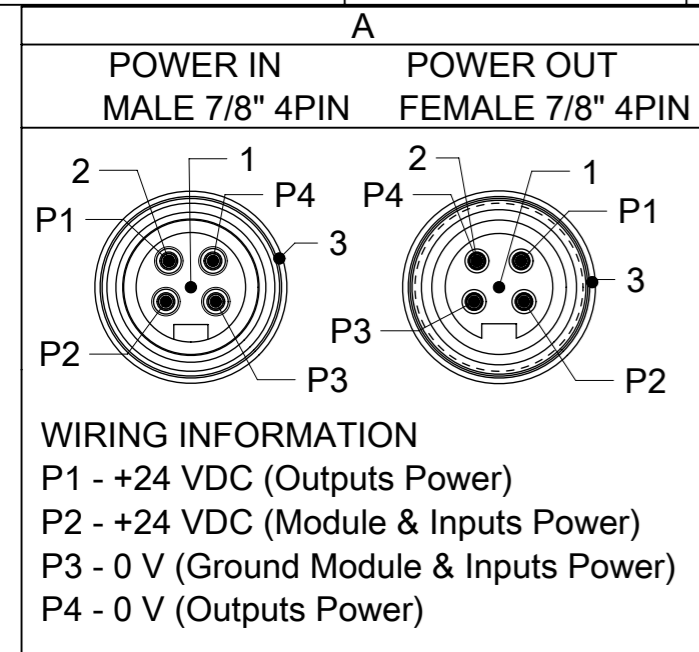


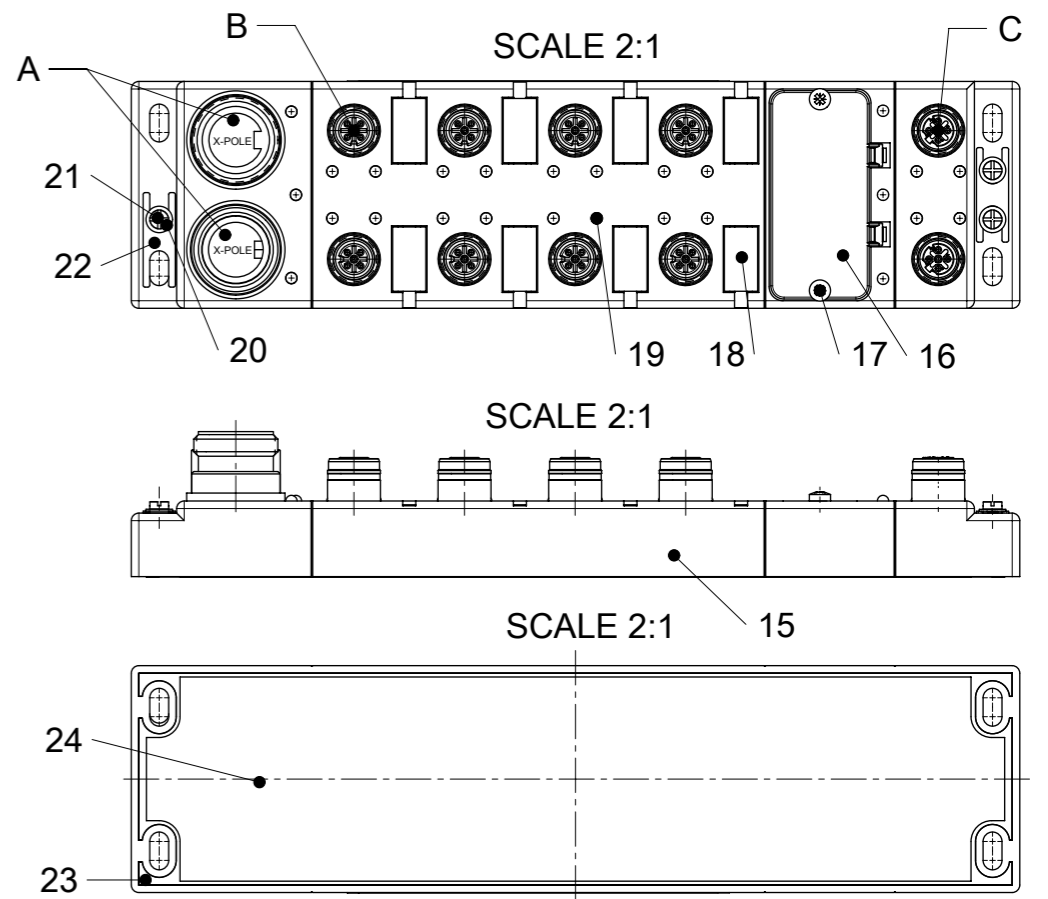
SCALE 1:2

THIS DRAWING CONTAINS INFORMATION THAT IS PROPRIETARY TO MOLEX ELECTRONIC TECHNOLOGIES, LLC AND SHOULD NOT BE USED WITHOUT WRITTEN PERMISSION												
QUALITY SYMBOLS ▽A = 0 ▽E = 0 ▽F = 0 ▼ = 0 ▽C = 0 ⊗ = 0 ■ = 0 ▽ = 0	EC NO: 107817 DRWN: ULETTENMEIER CHK'D: APPR: RSILLER	2016/08/24 2016/08/25	GENERAL TOLERANCES (UNLESS SPECIFIED)		DIMENSION UNITS	SCALE						
			ANGULAR TOL ± °		MM	1:1						
			4 PLACES ±	AAHLERS		DATE		HARSHIO IO-LINK MASTER 8X IO-LINK+8X DIO 4/5 PIN				
			3 PLACES ±	DATE		2015/10/19						
			2 PLACES ±	RSILLER		DATE		PRODUCT CUSTOMER DRAWING				
1 PLACE ± 0.3	DATE		2016/03/10									
0 PLACES ± 0.5	DRAFT WHERE APPLICABLE MUST REMAIN WITHIN DIMENSIONS		DRAWING SIZE	THIRD ANGLE PROJECTION	SERIES	MATERIAL NUMBER	CUSTOMER					
A2			A3		112095	SEE TABLE 1	GENERAL MARKET					
						DOCUMENT NUMBER	DOC TYPE	DOC PART	SHEET NUMBER			
						1120955119	PSD	000	1 OF 3			

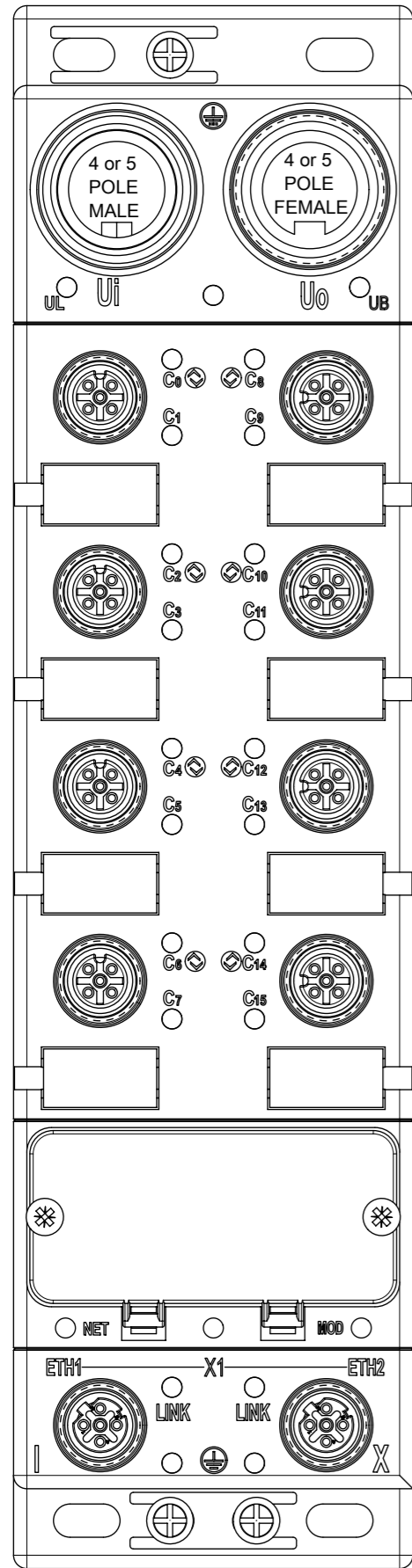


BILL OF MATERIAL

ITEM	DESCRIPTION	MATERIAL	FINISH
1	INSERT	TPE	YELLOW
2	CONTACT	BRASS ALLOY	GOLD OVER NICKEL
3	SHELL	BRASS	NICKEL PLATED
4	INSERT	TPE	YELLOW
5	CONTACT	BRONZE ALLOY	GOLD OVER NICKEL
6	SHELL	BRASS	NICKEL PLATED
7	INSERT	TPU	BLACK
8	GASKET	FPM	RED
9	CONTACT	BRASS	GOLD OVER NICKEL
10	SHELL	BRASS	NICKEL PLATED
11	SHELL	BRASS	NICKEL PLATED
12	INSERT	TPU	BLACK
13	CONTACT	BRASS	GOLD OVER NICKEL
14	GASKET	EPDM	VIOLETT
15	HOUSING	PBT	BLACK
16	WINDOW	PC	TRANSPARENT
17	SCREW	V4A	V4A
18	LABEL	PC	WHITE
19	FIBER OPTIC	PA	TRANSPARENT
20	WASHER	BRASS	NICKEL PLATED
21	SCREW	V2A	V2A
22	SHIELD PLATE	STAINLESS STEEL	STAINLESS STEEL
23	RESIN	EPOXY	TRANSPARENT
24	LABEL	PVC	WHITE



QUALITY SYMBOLS ▽A = 0 ▽E = 0 ▽F = 0 ▼ = 0 ▽C = 0 ⊗ = 0 ■ = 0 ▽ = 0	THIS DRAWING CONTAINS INFORMATION THAT IS PROPRIETARY TO MOLEX ELECTRONIC TECHNOLOGIES, LLC AND SHOULD NOT BE USED WITHOUT WRITTEN PERMISSION EC NO: 107817 DRWN: ULETTENMEIER CHK'D: REV APPR: RSILLER 2016/08/24 2016/08/25	GENERAL TOLERANCES (UNLESS SPECIFIED) ANGULAR TOL ± ° 4 PLACES ± 3 PLACES ± 2 PLACES ± 1 PLACE ± 0.3 0 PLACES ± 0.5	DIMENSION UNITS MM	SCALE 1:1				
		DRWN BY: AAHLERS CHK'D BY:	DATE: 2015/10/19 DATE:	HARSHIO IO-LINK MASTER 8X IO-LINK+8X DIO 4/5 PIN				
		APP'R BY: RSILLER DRAWING SIZE: A3	DATE: 2016/03/10 THIRD ANGLE PROJECTION			PRODUCT CUSTOMER DRAWING		
		EC NO: 107817 DRWN: ULETTENMEIER CHK'D: REV APPR: RSILLER 2016/08/24 2016/08/25	DRAFT WHERE APPLICABLE MUST REMAIN WITHIN DIMENSIONS	SERIES 112095		MATERIAL NUMBER SEE TABLE 1	CUSTOMER GENERAL MARKET	DOCUMENT NUMBER 1120955119



8 IN / 8 OUT PRINTING

TABLE 1					
HARSHIO IO-Link Master 8x IO-Link + 8x DIO 4/5 PIN					3D MODEL NO.
POWER TYPE	INPUT/OUTPUT		ENG. NO	FIELD BUS	
7/8" 5 POLE	8x IO-LINK	8x DIO	TCIEP-888P-D1U	PROFINET	1120955119
			TCIEI-888P-D1U	EtherNet/IP	1120955121
TCIEP-888P-DYU			PROFINET	1120955120	
TCIEI-888P-DYU			EtherNet/IP	1120955122	
7/8" 4 POLE					1120955119 (PDM)

THIS DRAWING CONTAINS INFORMATION THAT IS PROPRIETARY TO MOLEX ELECTRONIC TECHNOLOGIES, LLC AND SHOULD NOT BE USED WITHOUT WRITTEN PERMISSION												
QUALITY SYMBOLS ▽A = 0 ▽E = 0 ▽F = 0 ▼ = 0 ▽C = 0 ⊠ = 0 ■ = 0 ▽ = 0	EC NO: 107817 DRWN: ULETTENMEIER CHK'D: APPR: RSILLER	2016/08/24 2016/08/25	GENERAL TOLERANCES (UNLESS SPECIFIED)		DIMENSION UNITS	SCALE						
			ANGULAR TOL ± °		MM	1:1						
			4 PLACES ±	AAHLERS		DATE		HARSHIO IO-LINK MASTER 8X IO-LINK+8X DIO 4/5 PIN				
			3 PLACES ±	2015/10/19		DATE						
			2 PLACES ±	RSILLER		DATE		PRODUCT CUSTOMER DRAWING				
			1 PLACE ± 0.3	2016/03/10		DATE						
0 PLACES ± 0.5	DRAFT WHERE APPLICABLE MUST REMAIN WITHIN DIMENSIONS		DRAWING SIZE	THIRD ANGLE PROJECTION	SERIES	MATERIAL NUMBER	CUSTOMER					
	A2		A3		112095	SEE TABLE 1	GENERAL MARKET					
					DOCUMENT NUMBER	DOC TYPE	DOC PART	SHEET NUMBER				
					1120955119	PSD	000	3 OF 3				