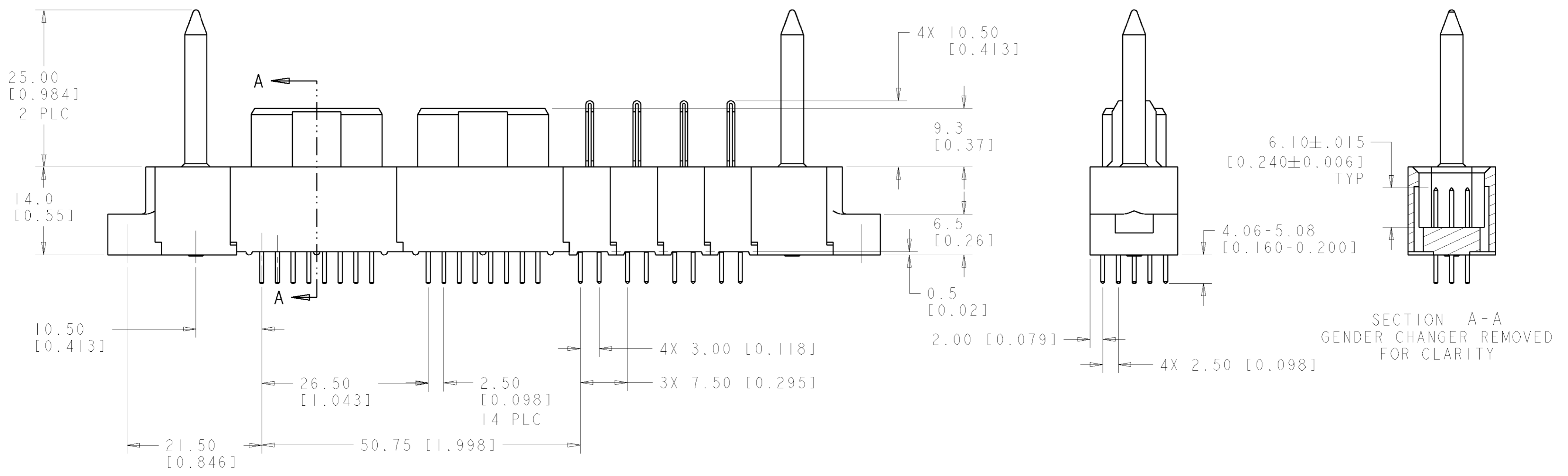
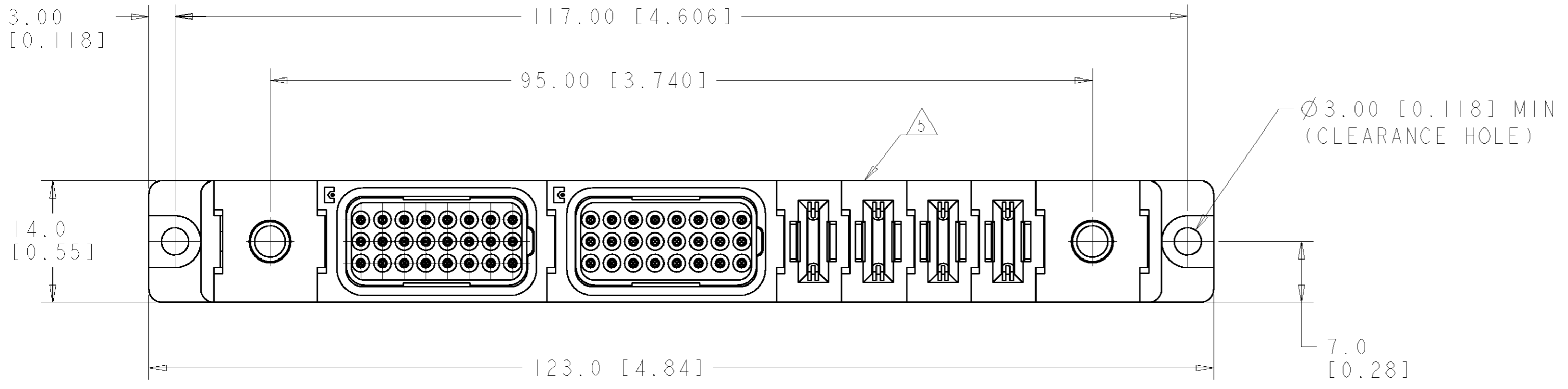


THIS DRAWING IS UNPUBLISHED. RELEASED FOR PUBLICATION 20
 © COPYRIGHT 20 BY TYCO ELECTRONICS CORPORATION. ALL RIGHTS RESERVED.

LOC	DIST	REVISIONS			
P	LTR	DESCRIPTION	DATE	DWN	APVD
GP	00	A	RELEASED	12JAN2007	RG PD



ELCON **FLATPAQ**

<small>THIS DRAWING IS A CONTROLLED DOCUMENT FOR TYCO ELECTRONICS CORPORATION. IT IS SUBJECT TO CHANGE AND THE CONTROLLING ENGINEERING ORGANIZATION SHOULD BE CONTACTED FOR THE LATEST REVISION.</small>		DWN R. GRZYBOWSKI 03OCT06 CHK P. DAMATO 03OCT06 APVD S. FLICKINGER 03OCT06
DIMENSIONS: mm [INCHES]	TOLERANCES UNLESS OTHERWISE SPECIFIED: 0 PLC ± 1 PLC ±0.3 [0.01] 2 PLC ±0.15 [0.005] 3 PLC ±0.001 4 PLC ±0.0001 ANGLES ±.5 FINISH	PRODUCT SPEC - APPLICATION SPEC - WEIGHT - CUSTOMER DRAWING

AS SHOWN	1926233-1
DESCRIPTION	PART NUMBER
tyco Tyco Electronics Electronics Harrisburg, PA 17105-3608	
NAME STRAIGHT SOCKET/PIN CONNECTOR, SOLDER TAILS SIZE A2 CAGE CODE 00779 DRAWING NO. 1926233 RESTRICTED TO - SCALE 3:1 SHEET 1 OF 3 REV A	

THIS DRAWING IS UNPUBLISHED. RELEASED FOR PUBLICATION 20
 © COPYRIGHT 20 BY TYCO ELECTRONICS CORPORATION. ALL RIGHTS RESERVED.

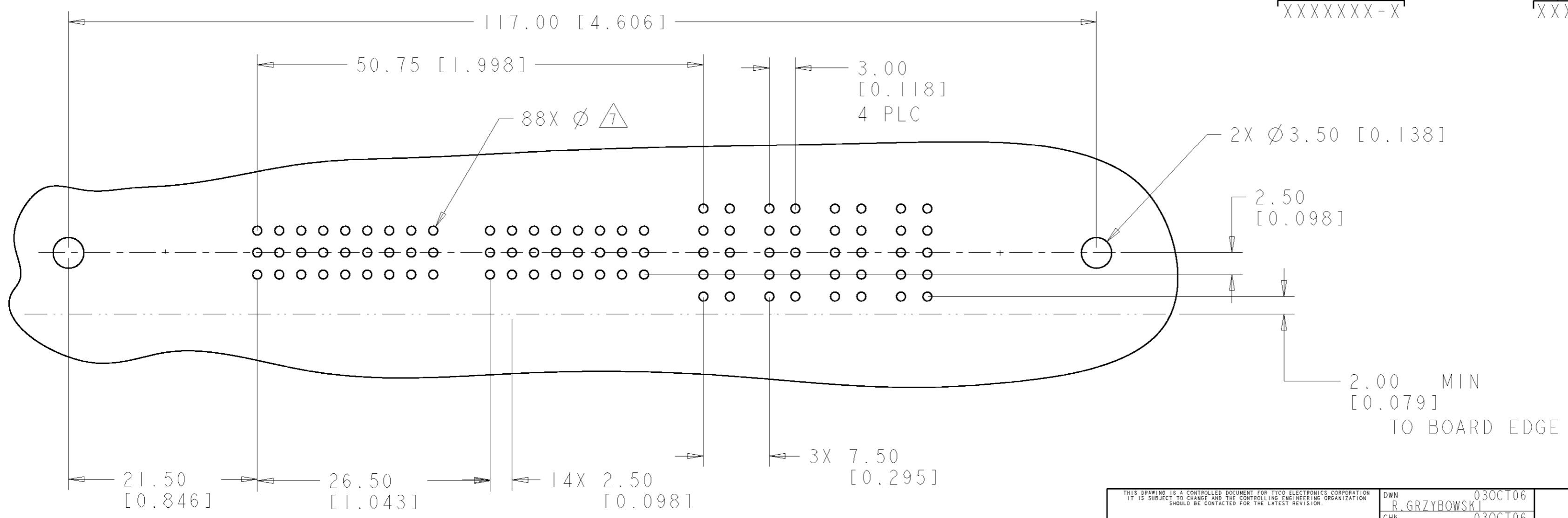
LOC	DIST	REVISIONS					
GP	00	P	LTR	DESCRIPTION	DATE	DWN	APVD
		-		SEE SHEET 1	-	-	-

- PART NUMBER CHANGES AND OR DESIGN CHANGES AFFECTING ITEM INTERCHANGEABILITY REQUIRE PRIOR TYCO APPROVAL AND AUTHORIZATION BY REVISION TO THIS DRAWING.
- MATERIAL:
 - INSULATORS - THERMOPLASTIC, GLASS REINFORCED, COLOR: BLACK UL94V-0 FLAMMABILITY RATED.
 - POWER CONTACTS - PHOSPHOR BRONZE ALLOY, COPPER ALLOY
 - SOLDER SIGNAL PINS-BRASS ALLOY
 - CROWN BAND-BERYLLIUM COPPER ALLOY
 - GUIDE PIN-BRASS COPPER ALLOY
- FINISH:
 - CONTACTS - GOLD PLATE .000030" MIN. THK., OVER NICKEL .000050" MIN. THK
 - SOLDER TAILS, TIN .000120" MIN. THK. OVER NICKEL .000050" MIN THK.
 - GUIDE PIN - NICKEL .000050" MIN THK.

△ ITEMS PROVIDED TO THIS SPECIFICATION TO BE PERMANENTLY IDENTIFIED PER THE FOLLOWING IDENTIFIER LABEL

TYCO PART NO. XXXXXXXX-X DATE CODE (e.g. 0106) XXXX

YEAR WEEK



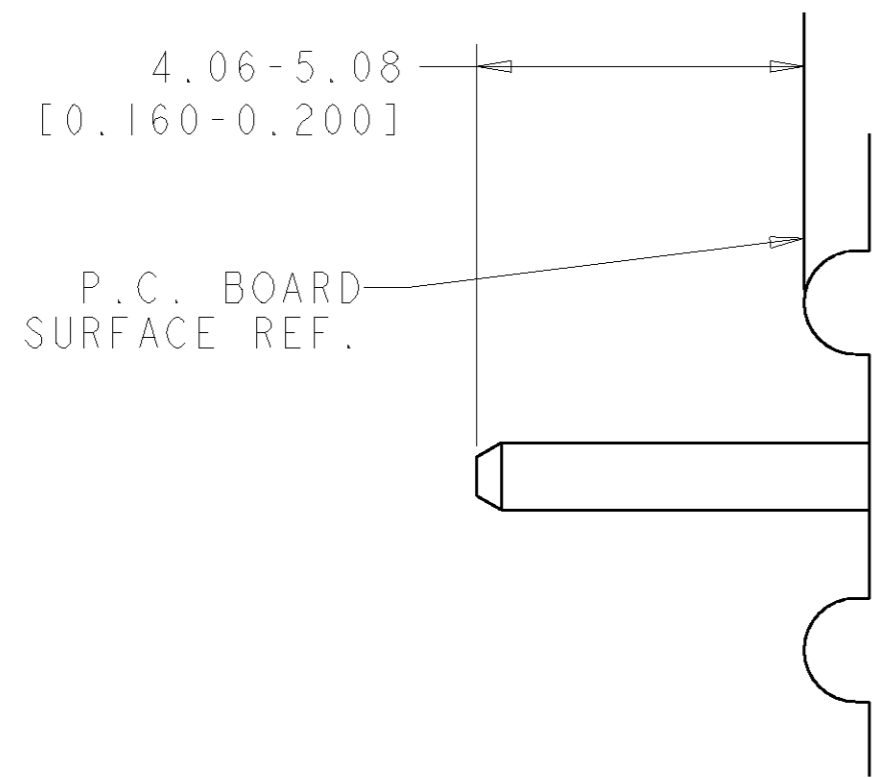
PRINTED CIRCUIT LAYOUT
 COMPONENT SIDE

ELCON FLATPAQ

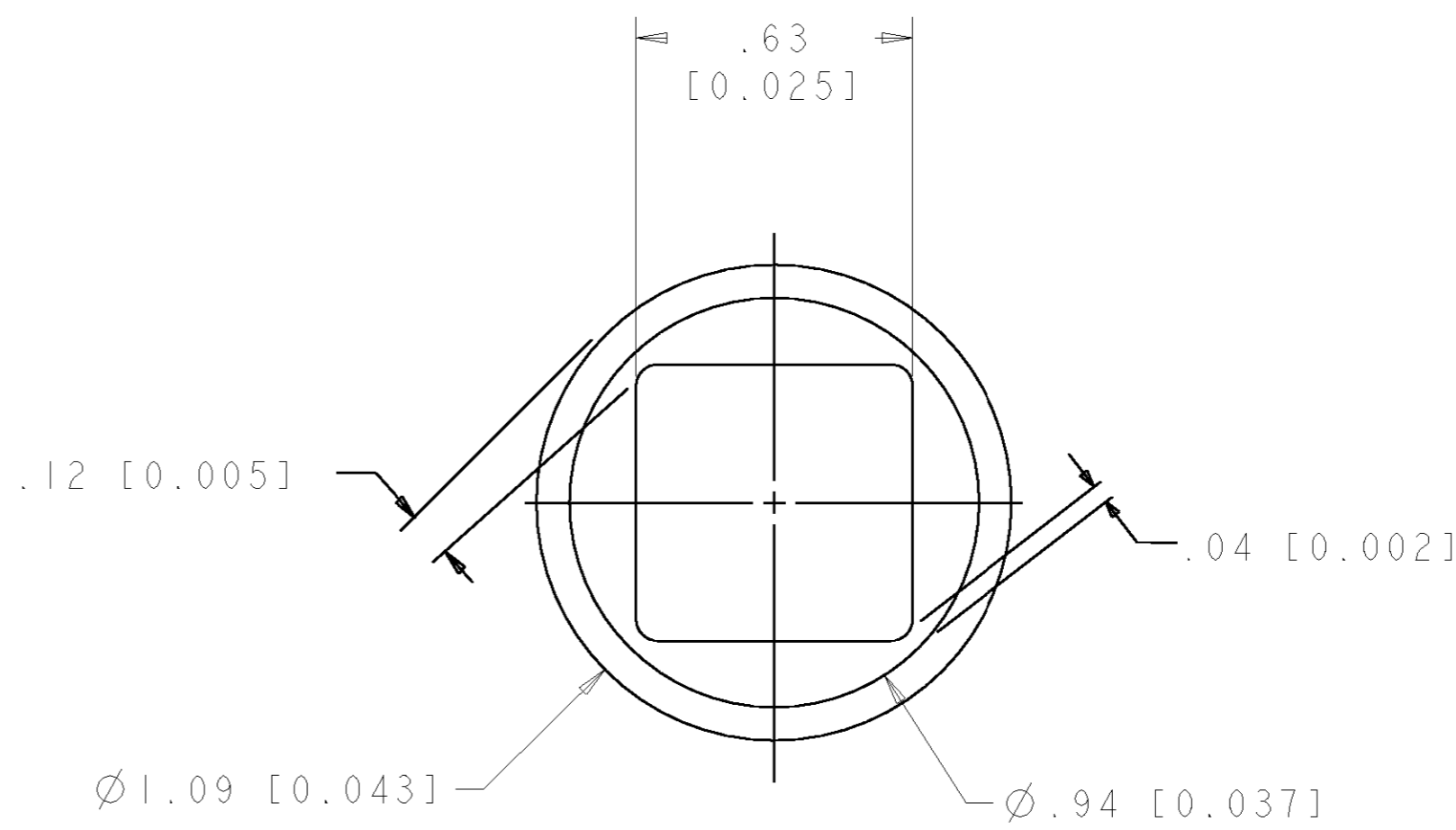
THIS DRAWING IS A CONTROLLED DOCUMENT FOR TYCO ELECTRONICS CORPORATION. IT IS SUBJECT TO CHANGE AND THE CONTROLLING ENGINEERING ORGANIZATION SHOULD BE CONTACTED FOR THE LATEST REVISION.		DWN R. GRZYBOWSKI 03OCT06	Tyco Electronics Harrisburg, PA 17105-3608
DIMENSIONS: mm [INCHES]		CHK P. DAMATO 03OCT06	
TOLERANCES UNLESS OTHERWISE SPECIFIED:		APVD S. FLICKINGER 03OCT06	NAME STRAIGHT SOCKET/PIN CONNECTOR, SOLDER TAILS
0 PLC ±		PRODUCT SPEC -	SIZE -
1 PLC ±0.3 [0.01]		APPLICATION SPEC -	CAGE CODE A200779
2 PLC ±0.15 [0.005]		WEIGHT -	DRAWING NO. C-1926233
3 PLC ±0.001		CUSTOMER DRAWING	RESTRICTED TO -
4 PLC ±0.0001		SCALE 3:1	SHEET 2 OF 3
ANGLES ±.5			REV A

THIS DRAWING IS UNPUBLISHED. RELEASED FOR PUBLICATION 20
 © COPYRIGHT 20 BY TYCO ELECTRONICS CORPORATION. ALL RIGHTS RESERVED.

LOC	DIST	REVISIONS			
P	LTR	DESCRIPTION	DATE	DWN	APVD
GP	00	-	SEE SHEET 1	-	-



5. SOLDER PIN DETAIL
SCALE 10 : 1



△ SOLDER TERMINATION AREA
SCALE 40:1
 RECOMMENDED PRINTED CIRCUIT SOLDER HOLE
 FINISHED HOLE: Ø1.02 [0.040] ±.08 [0.003]
 DRILLED HOLE: Ø1.15 [0.0453] ±.013 [0.0005]
 COPPER PLATE: .025 [0.0010] MIN
 TIN PLATE: .008 [0.0003] MIN. (PER SURFACE)

CONNECTOR	CATALOG MODULE #	QTY	SIZE NO.	CONTACT QTY	MATING PIN	MAX. CURRENT (PER CONTACT)	CONTACT SPACING	VOLTAGE RATING	
SOCKET/ PIN	FP161	4	8	4	1.25 X 7.00 [.049 X .276]	35 amps	7.50 [.2953]	250 VOLTS	
	FP318	2	22	48	.64 [.025] SQ.	3 amps	2.50 [.0984]	125 VOLTS	
	FP500	1	LEFT MOUNTING FLANGE						
	FP501	1	RIGHT MOUNTING FLANGE						
	FP503	2	STRAIGHT GUIDE PIN						

ELCON **FLATPAQ**

THIS DRAWING IS A CONTROLLED DOCUMENT FOR TYCO ELECTRONICS CORPORATION. IT IS SUBJECT TO CHANGE AND THE CONTROLLING ENGINEERING ORGANIZATION SHOULD BE CONTACTED FOR THE LATEST REVISION.

DWN: R. GRZYBOWSKI 03OCT06
 CHK: P. DAMATO 03OCT06
 APVD: S. FLICKINGER 03OCT06

tyco Tyco Electronics
 Harrisburg, PA 17105-3608

NAME: STRAIGHT SOCKET/PIN CONNECTOR, SOLDER TAILS

SIZE: A2 CAGE CODE: 00779 DRAWING NO: 1926233 RESTRICTED TO: -

MATERIAL: - FINISH: - WEIGHT: -

CUSTOMER DRAWING SCALE: 3:1 SHEET: 3 OF 3 REV: A