

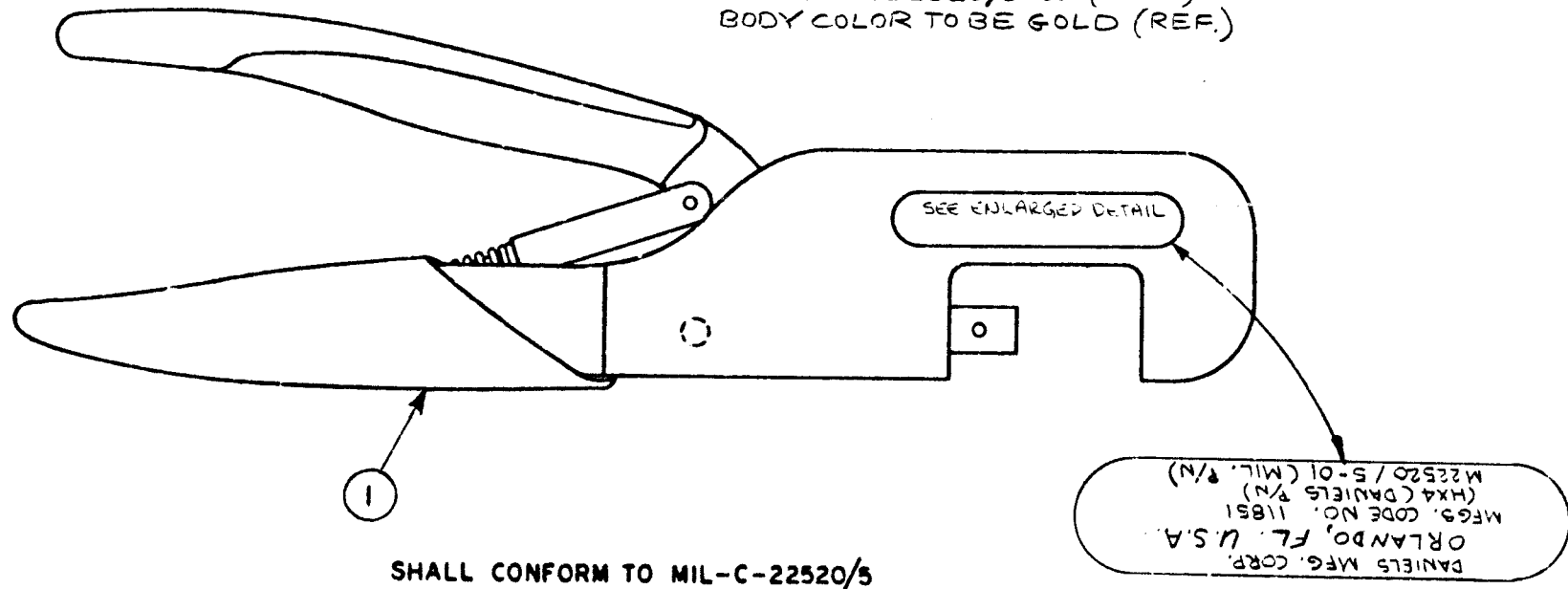
NOTICE: These drawings, specifications or other data (1) are, and (2) remain the property of Bunker-Ramo Corporation and shall be returned upon request, and (3) are confidential and are not to be disclosed to any person other than those to whom they are given by Bunker-Ramo Corporation. The reproduction of these drawings, specifications or other data by Bunker-Ramo Corporation, or by any other person, in whole or in part, is prohibited. No part of this drawing is to be reproduced by any means, including photocopying, recording, or by any information storage and retrieval system, without the prior written permission of Bunker-Ramo Corporation. The use of this drawing for any purpose other than that intended by Bunker-Ramo Corporation is prohibited. The use of this drawing for any purpose other than that intended by Bunker-Ramo Corporation is prohibited. The use of this drawing for any purpose other than that intended by Bunker-Ramo Corporation is prohibited.

DO NOT SCALE THIS DRAWING

REVISIONS					
ZONE	SYM.	DESCRIPTION	DATE	ECO NO.	APPR.
	A	ADDED COLOR SPEC.	1-3-74	20138	OR
	B	REVISED ENLARGED LABEL	1-27-77	24971	HR
	C	DEL ITEM 2; UPDATE ADDRESS	1/23/99	42604	CRM

NOTES:
 1. MAY BE PURCHASED FROM:
DANIELS TOOL CO.
 ORLANDO, FL. U.S.A.
 AS DANIELS TOOL FRAME HX4

PART NO. M22520/5-01 (REF.)
 BODY COLOR TO BE GOLD (REF.)



SHALL CONFORM TO MIL-C-22520/5

2. FRAME TO BE PACKAGED IN A CARDBOARD BOX WITH DIE INSTALLATION INSTRUCTIONS, BOTH SUPPLIED BY DANIELS MFG. CORP. AMPHENOL PART NO. MUST APPEAR ON TOP SIDE OF BOX.
 SIZE: 11 1/2" LGH. X 3" WIDE X 1 1/8" HT.

227-944
 DRAWING NUMBER
 C

1	1	227-943	CRIMP TOOL FRAME	203	---
REQ'D	ITEM	PART NO.	DESCRIPTION	CODE	FINISH

LIST OF MATERIAL

UNLESS OTHERWISE SPECIFIED DIMENSIONS ARE IN INCHES. TOLERANCES NOT OTHERWISE SPECIFIED ARE:		
FRACTIONS	DECIMALS	ANGLES
± 1/16"	± .005"	± 1°
MATERIAL	---	
SPECIFICATION	---	
FINISH	---	

DATE: 8-14-77 CHECKED: H. C. ... ENGINEER: H. C. ... APP'D: J. ...	TITLE: CRIMP TOOL FRAME (PACKAGED)	AMPHENOL AMPHENOL RF DIVISION 33 East Franklin St. Danbury, Conn. 06810
REFERENCE DRAWING NO.:	CODE IDENTIFICATION: C	DRAWING SIZE: C
DRAWING NO. 227-944		ISSUE: C

OFFICIAL ENG. REL.
20037

NEXT ASSY: USED ON: APPLICATION: