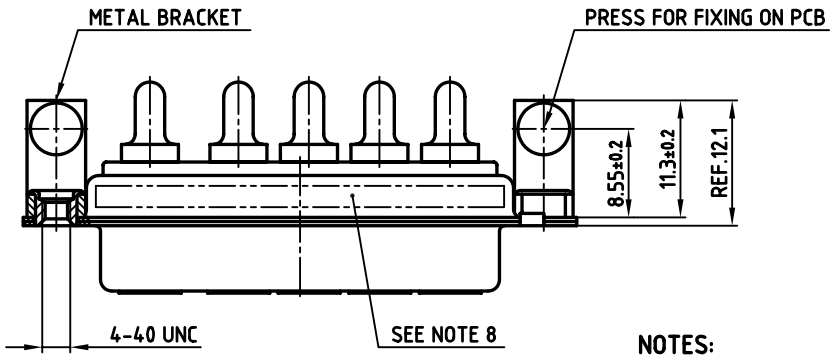
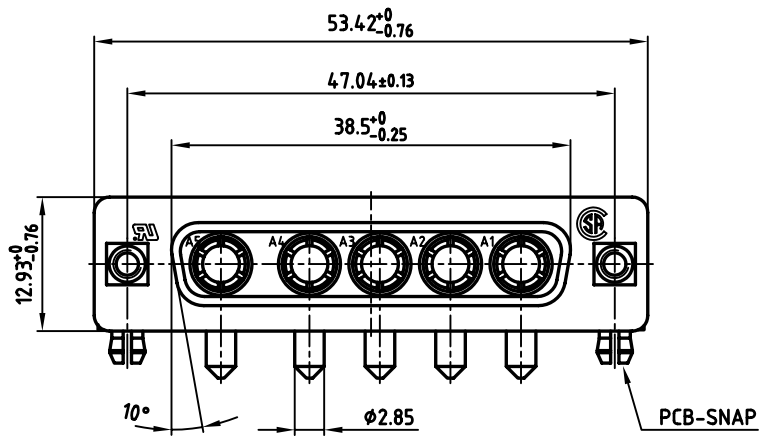
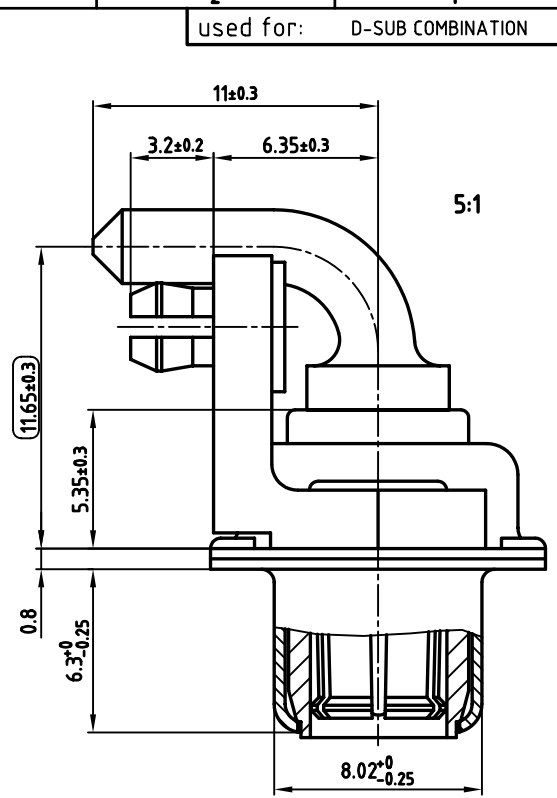


P.C.B. HOLE DRILLINGS



NOTES:

- METALSHELLS: STEEL; min.  $320\mu$ " TIN
- INSULATORS: PBT GF UL 94 V-0, GREEN
- HIGH POWER CONTACTS 20A: COPPER ALLOY  
PLATING:  $30\mu$ " HARD GOLD OVER min.  $50\mu$ " NICKEL
- METAL BRACKET: DIE-CASTING; min.  $320\mu$ " TIN over  $80\mu$ " NICKEL
- THREADED INSERT: COPPER ALLOY; min.  $200\mu$ " TIN over  $80\mu$ " NICKEL
- PCB-SNAP: COPPER ALLOY; min.  $200\mu$ " TIN over  $80\mu$ " NICKEL  
PCB-HOLE:  $\phi 3.1 \pm 0.1$ ; PCB THICKNESS 1.6mm
- MAXIMUM TORQUE VALUE FOR THREAD: 6" LBS
- CONNECTOR IS PART MARKED: 3005W5SXX56N40X CONEC ABC
- = CHECK DIMENSION



APPROVAL \* FREIGABE \* DEBLOCAGE \* AUTORIZACION \* APPROVAL

CUSTOMER APPROVAL DATE:

NAME: TITLE:

COMPANY NAME:

APPROVAL \* FREIGABE \* DEBLOCAGE \* AUTORIZACION \* APPROVAL

THIS DRAWING MAY NOT BE COPIED OR REPRODUCED IN ANY WAY, AND MAY NOT BE PASSED ON TO A THIRD PARTY, WITHOUT WRITTEN PERMISSION. OWNERSHIP AND COPYRIGHT OF CONEC GmbH DO NOT ALTER CAD DRAWING BY HAND

rev.	description	date	name
a	Origin		

tolerance		dim. in mm
2006	date	name
drawn	08.02.	Lehmenkühler
appd.	08.02.	Mickenbecker
norm		
d-old		

scale: 2:1 (5:1)

material: SEE NOTES

title: D-SUB COMBINATION FEMALE 90° 5W5S with threaded insert, metal bracket and clip

dwg no: AutoCAD 2004 DIN-A 3 sh: 1/1

13K1A1709

part no: 3005W5SXX56N40X