

THIS DRAWING IS UNPUBLISHED. RELEASED FOR PUBLICATION 20  
 © COPYRIGHT 20 BY TYCO ELECTRONICS CORPORATION. ALL RIGHTS RESERVED.

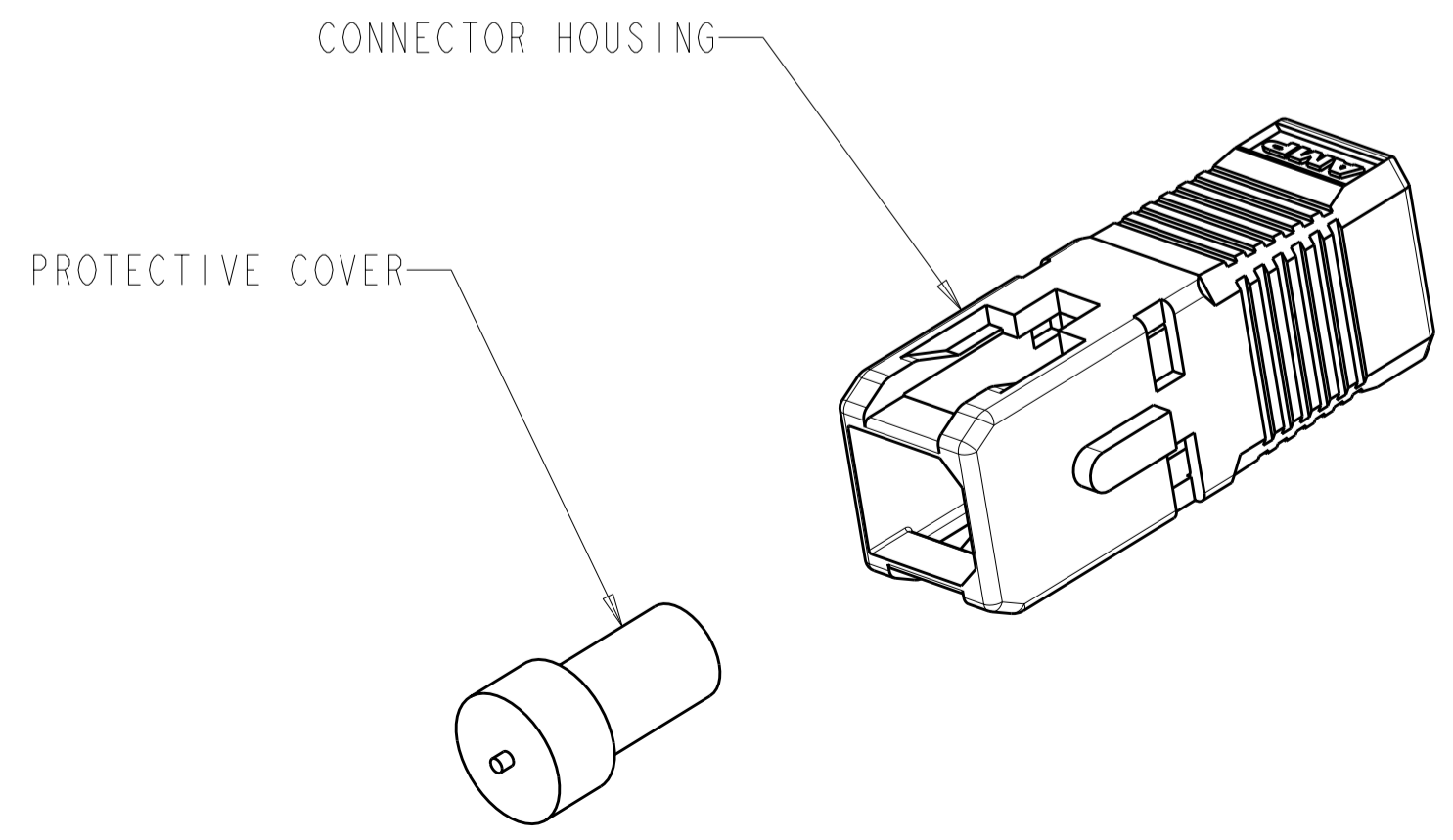
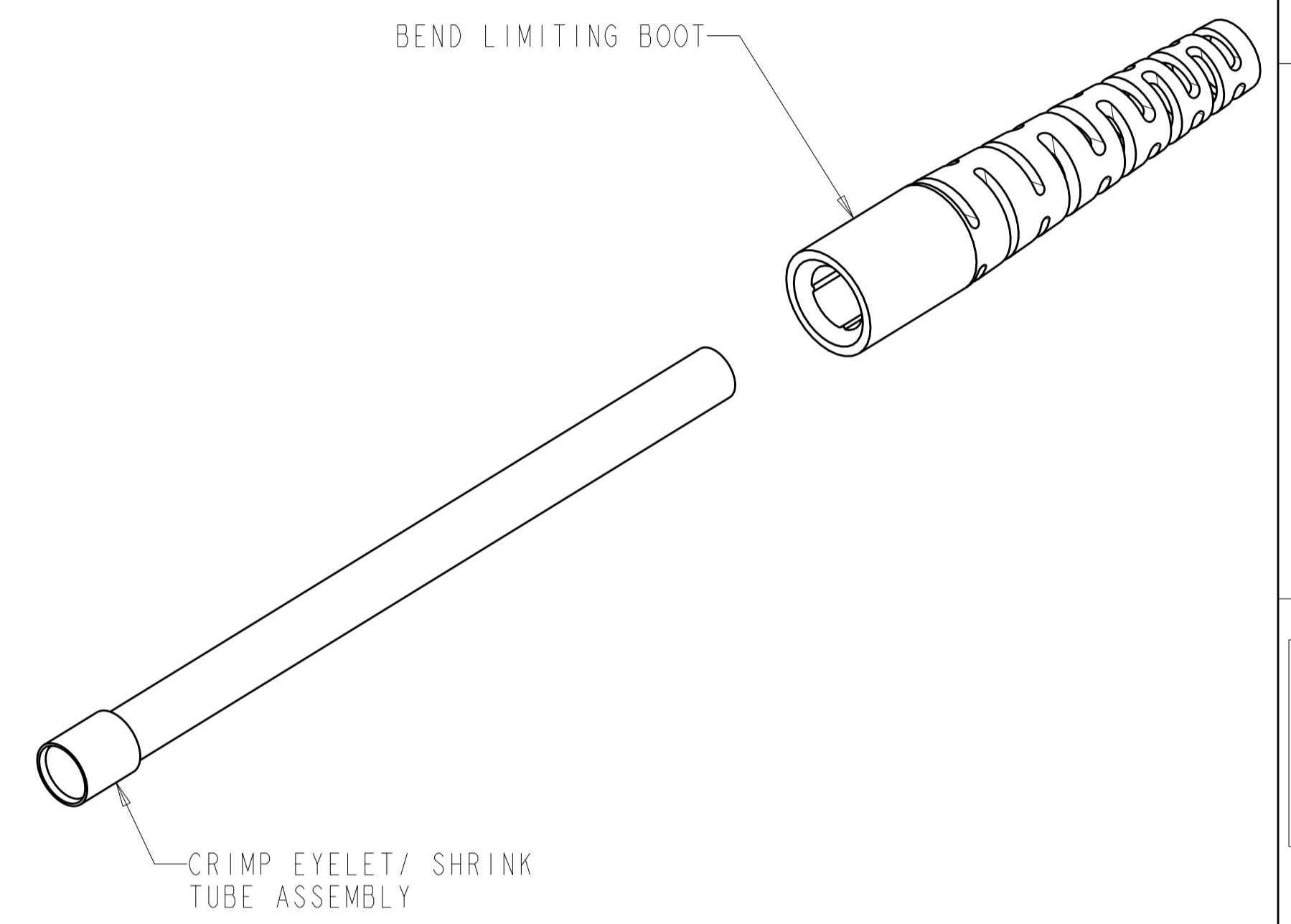
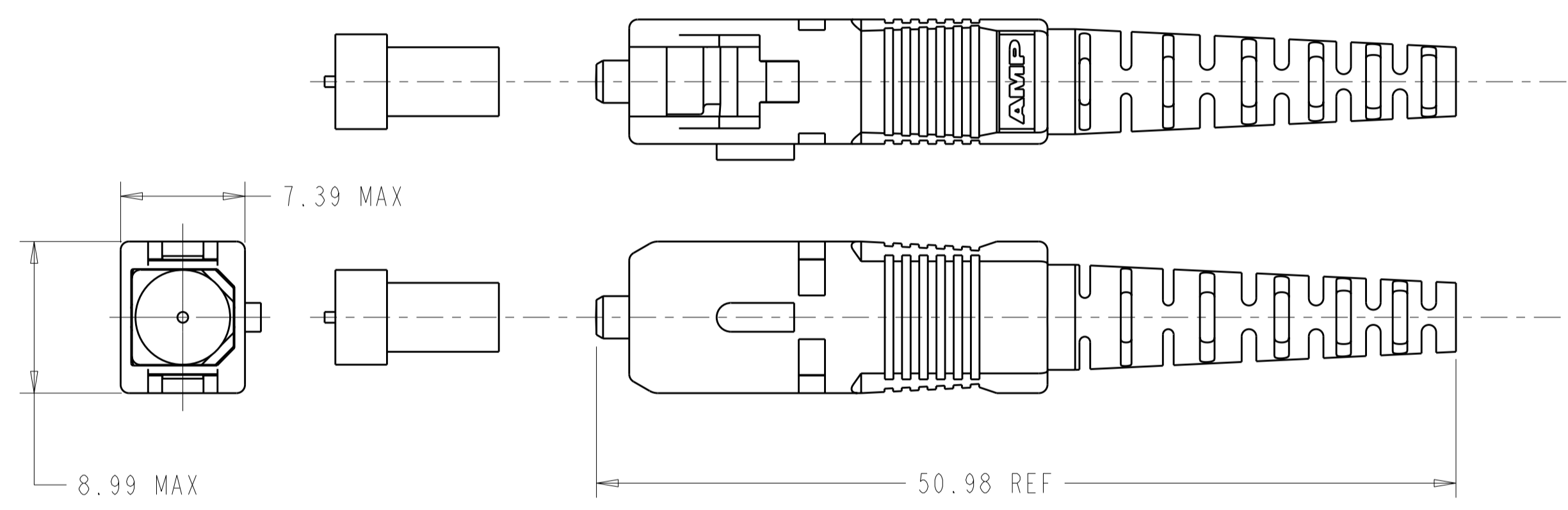
| LOC |     | DIST              |           | REVISIONS |      |  |  |
|-----|-----|-------------------|-----------|-----------|------|--|--|
| P   | LTR | DESCRIPTION       | DATE      | DWN       | APVD |  |  |
|     | A   | RELEASE TO ACTIVE | 08JUN2006 | BB        | SM   |  |  |
|     | AI  | ADD NOTE 6.       | 12MAY2009 | KG        | SB   |  |  |

1 MATERIAL:  
 PROTECTIVE COVER: LDPE, COLOR: BLACK, NON-FR.  
 CONNECTOR HOUSING: PBT-GF17, COLOR: BLUE.\*  
 CONNECTOR SUBASSEMBLY:  
 PLUG BODY: PES-GF20, COLOR: BEIGE.\*  
 FERRULE ASSEMBLY: CERAMIC / PBT-GF17 COLOR: BLUE.\*  
 EPOXY - FILL TUBING: PVC, COLOR: CLEAR, UL VW-1 RATED.  
 SPRING: STAINLESS STEEL.  
 RETAINER BODY: ALUMINUM.  
 CRIMP EYELET/SHRINK TUBE ASSEMBLY: ALUMINUM/POLYOLEFIN,  
 COLOR: YELLOW/BLACK (2.4mm), UL VW-1 RATED.  
 BEND LIMITING BOOT: PP, COLOR: BLUE.\*  
 \*UL94 V-0 RATED AT QUALIFYING THICKNESS.

4. TO BE USED WITH "LOOSE-JACKETED" CABLE.  
 5. CONTAINS NO BOOTS OR EYELETS.  
 6. INSTRUCTION SHEET 408-8674 AVAILABLE FOR DOWNLOAD  
 AT [www.tycoelectronics.com/documents](http://www.tycoelectronics.com/documents) OR  
[www.ampnetconnect.com/foguide](http://www.ampnetconnect.com/foguide).

2 FINISH:  
 RETAINER BODY: CLEAR ANODIZE.  
 CRIMP EYELET: CLEAR ANODIZE.

3 BULK PACKAGE.



|     |             |             |
|-----|-------------|-------------|
| 3   | 2.4mm       | 6588714-6   |
|     | 2.4mm       | 6588714-5   |
| 3   | 1.6mm-2.0mm | 6588714-4   |
| 5/3 | 1.6mm-2.0mm | 6588714-3   |
|     | 1.6mm-2.0mm | 6588714-1   |
|     | CABLE SIZE  | PART NUMBER |

| DIMENSIONS: |  | TOLERANCES UNLESS OTHERWISE SPECIFIED: |   | DWN              |             | Tyco Electronics                              |               |
|-------------|--|--|---|------------------|-------------|---|---------------|
| mm          |  | 0 PLC                                  | ± | B. BRIGGS        | 06 JAN 2006 | Tyco Electronics<br>Harrisburg, PA 17105-3608 |               |
|             |  | 1 PLC                                  | ± | CHK              | 06 JAN 2006 | NAME  |               |
|             |  | 2 PLC                                  | ± | S. MILLER        | 06 JAN 2006 | FOKIT SC SM SIMPLEX,<br>1.6mm - 2.4mm CABLE   |               |
|             |  | 3 PLC                                  | ± | APVD             | 06 JAN 2006 | SIZE  | CAGE CODE     |
|             |  | 4 PLC                                  | ± | S. BUCHTER       |             | A2  | 00779         |
|             |  | ANGLES                                 | ± | PRODUCT SPEC     |             | DRAWING NO                                    | RESTRICTED TO |
|             |  | FINISH                                 |   | APPLICATION SPEC |             | 6588714                                       | -             |
|             |  |  |   | WEIGHT           |             | SCALE   | SHEET         |
|             |  |  |   |                  |             | NTS   | OF            |
|             |  |  |   |                  |             |   | REV           |
|             |  |  |   |                  |             |   | AI            |