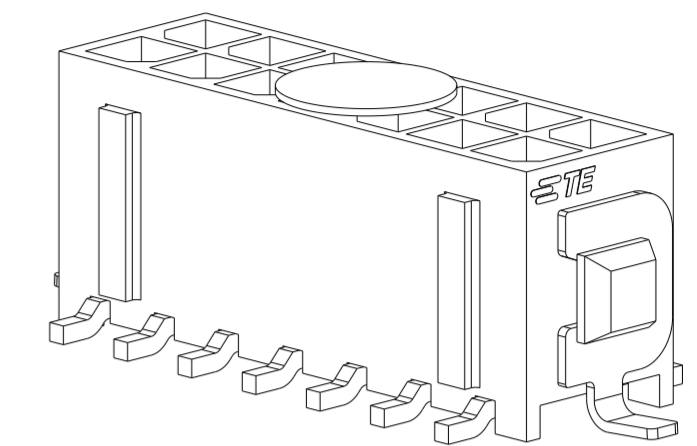
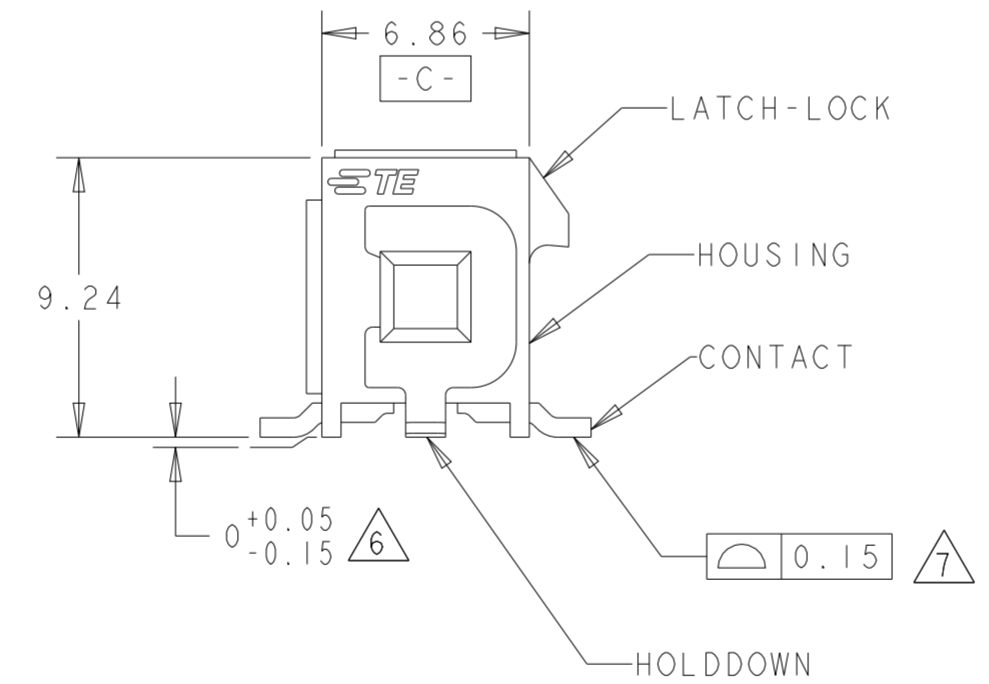
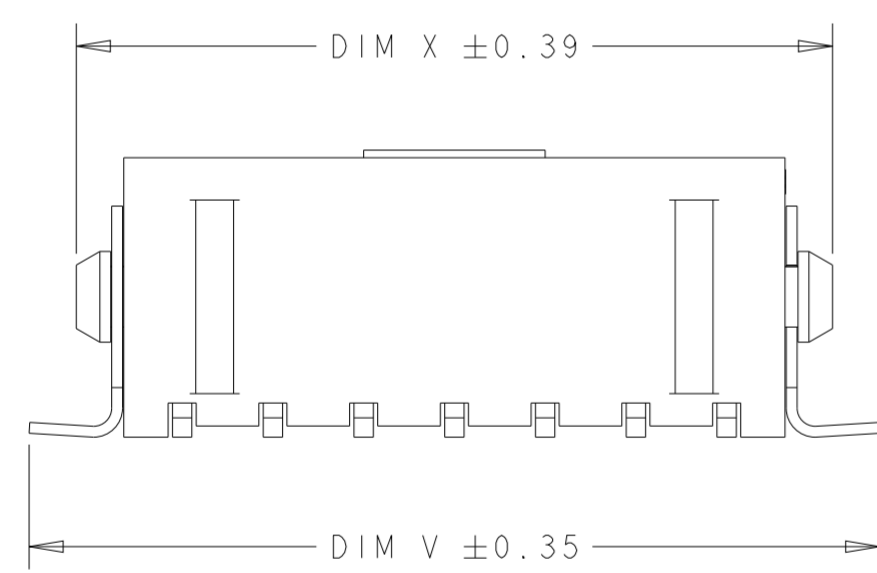
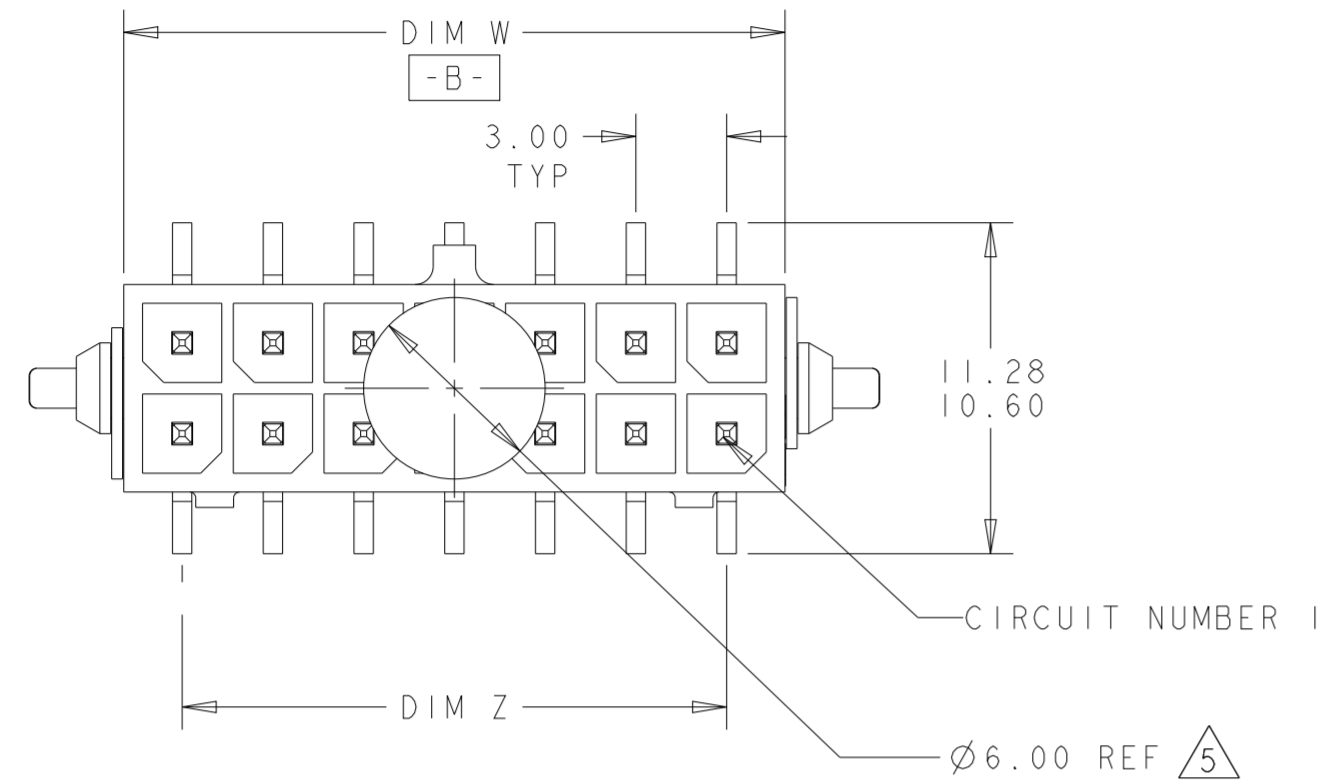


REVISIONS					
P	LTR	DESCRIPTION	DATE	DWN	APVD
K2		REVISED PER ECR-17-017609	04DEC2017	JB	DZ
K3		ECO-19-006502	30APR2019	AP	WS
K4		REVISED PER ECN-23-206968	11APR2023	WLS	VS



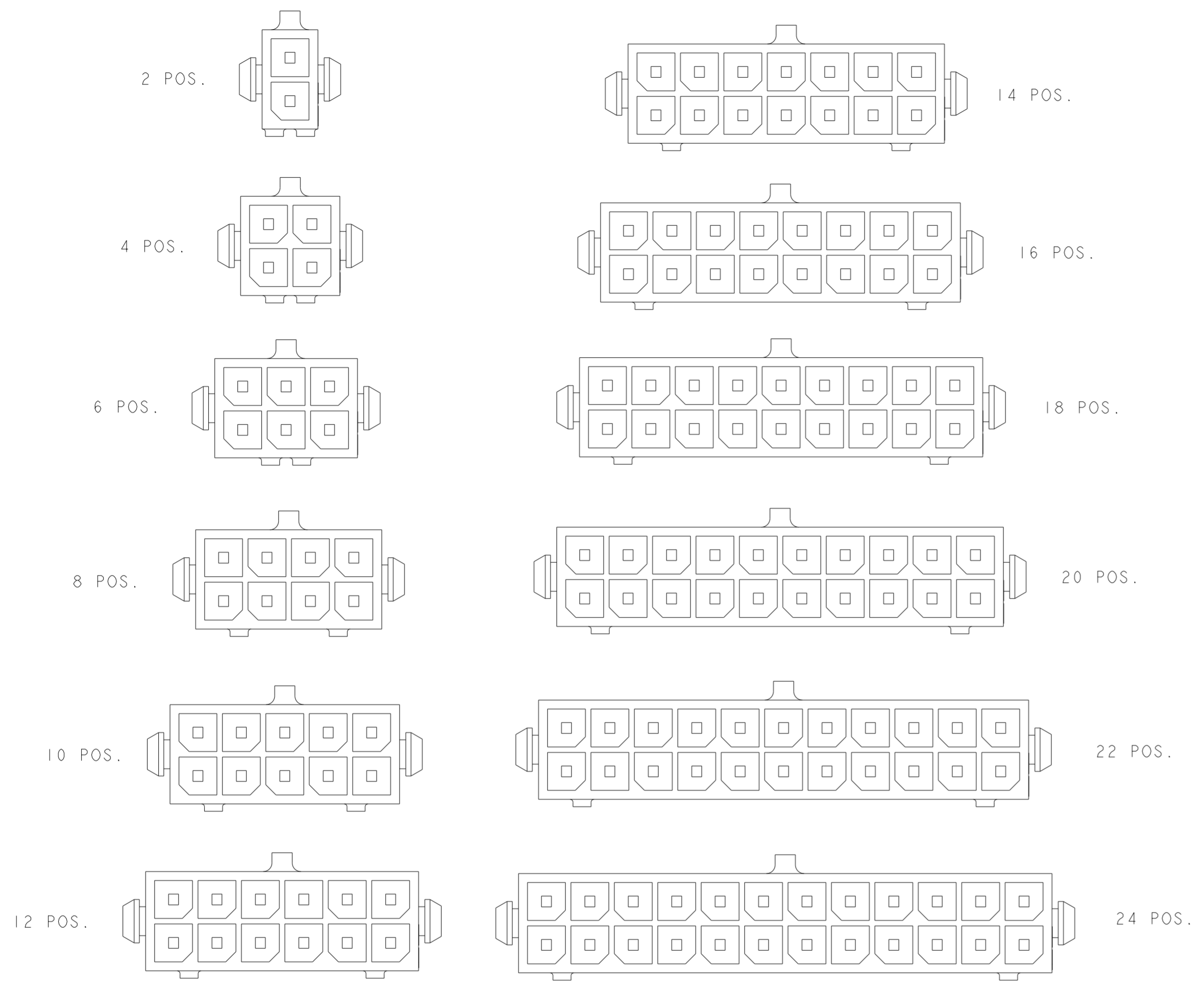
- 1 MATERIAL:  
HOUSING - UL 94V-0 RATED HIGH TEMP NYLON, COLOR BLACK.  
CONTACTS - BRASS.  
HOLDDOWNS - PHOSPHOR BRONZE.
- 2 RECOMMENDED PC BOARD THICKNESS OF 1.57.
- 3 KAPTON VACUUM PICK UP BUTTON.
- 4 DIMENSION APPLIES TO SOLDERTAIL SURFACES AND STANDOFF SURFACES.
- 5 ALL SOLDERTAILS AND HOLDDOWNS.
- 6 PLATING:  
CONTACTS - 0.76µm MINIMUM GOLD ON MATING AREA.  
2.54µm MATTE TIN MINIMUM ON SOLDER TAILS.  
ALL OVER 1.27µm MINIMUM NICKEL.  
HOLDDOWNS - 2.54µm MINIMUM MATTE TIN OVER 1.27µm MINIMUM NICKEL.
- 7 COUNTERPART RECOMMENDED IS PN 794617 (DASH ACC. TO NUMBER OF POSITION).
- 8 FOR REELING DIRECTION AND PACKAGING TYPE, SEE SPECIFICATION 114-13000.

43.04	36.86	40.27	33.00	40.00	24	5-794638-4
40.04	33.86	37.27	31.00	37.00	22	5-794638-2
37.04	30.86	34.27	27.00	34.00	20	5-794638-0
34.04	27.86	31.27	24.00	31.00	18	4-794638-8
31.04	24.86	28.27	21.00	28.00	16	4-794638-6
28.04	21.86	25.27	18.00	25.00	14	4-794638-4
25.04	18.86	22.27	15.00	22.00	12	4-794638-2
22.04	15.86	19.27	12.00	19.00	10	4-794638-0
19.04	12.86	16.27	9.00	16.00	8	3-794638-8
16.04	9.86	13.27	6.00	13.00	6	3-794638-6
13.04	6.86	10.27	3.00	10.00	4	3-794638-4
10.04	3.86	7.27	-	7.00	2	3-794638-2
DIM V	DIM W	DIM Y	DIM Z	DIM X	NO. OF POSN.	PART NUMBER

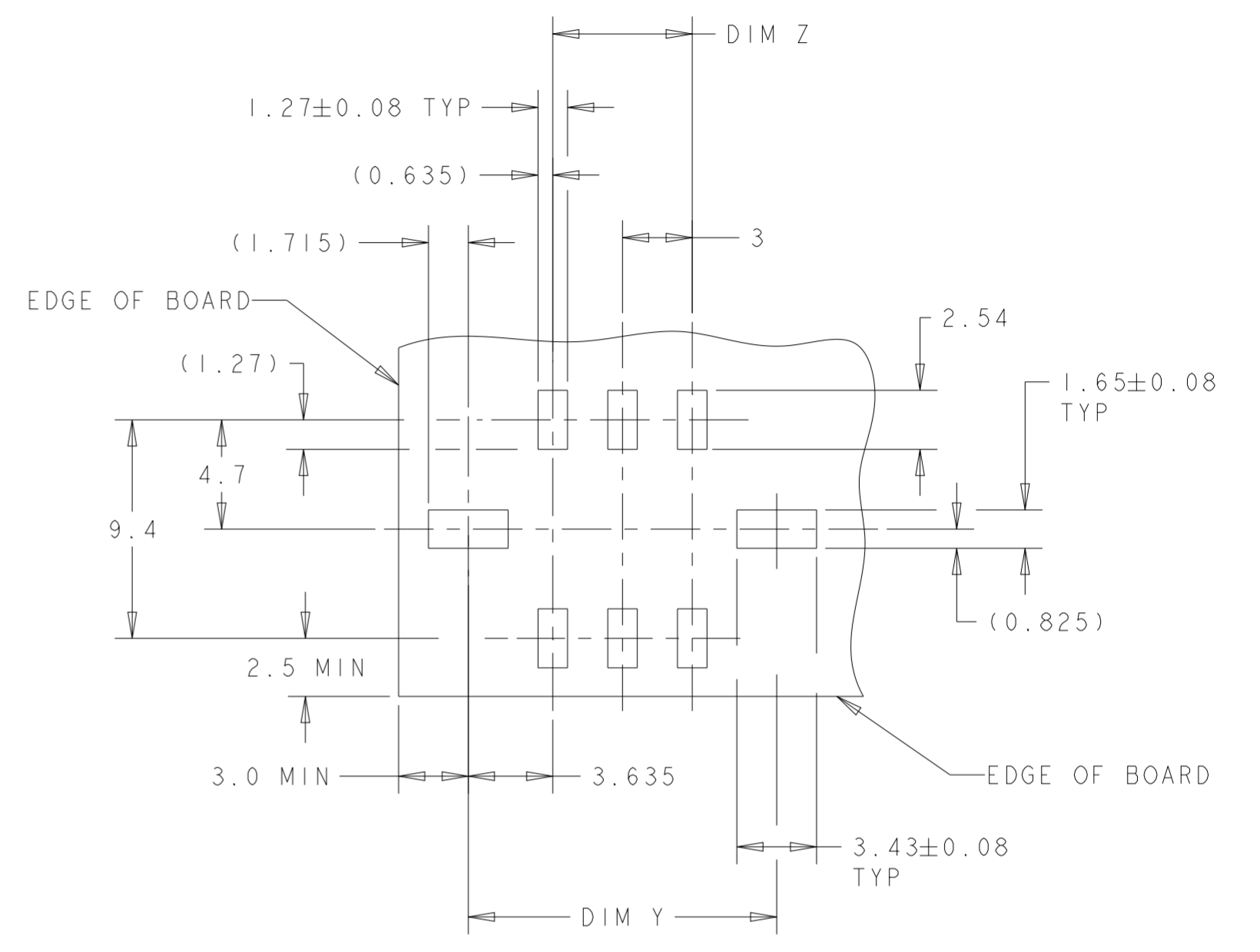
THIS DRAWING IS A CONTROLLED DOCUMENT.

DIMENSIONS: mm	TOLERANCES UNLESS OTHERWISE SPECIFIED: 0 PLC ± 1 PLC ± 2 PLC ±0.13 3 PLC ± 4 PLC ± ANGLES ±1° FINISH	DWN K. WHITAKER 19-MAR-2003 CHK C. JONES 19-MAR-2003 APVD C. JONES 19-MAR-2003	TE Connectivity	
MATERIAL		PRODUCT SPEC 108-1836 APPLICATION SPEC 114-13000 WEIGHT -	NAME SURFACE MOUNT, VERTICAL, SURFACE MOUNT HOLDDOWN, ASSEMBLY, 30 GOLD HEADER, DUAL ROW, MICRO MATE-N-LOK(TM) SIZE A2 CAGE CODE 0779 DRAWING NO C-794638 RESTRICTED TO - CUSTOMER DRAWING SCALE 4:1 SHEET 1 OF 2 REV K4	

REVISIONS					
P	LTR	DESCRIPTION	DATE	DWN	APVD
-	-	SEE SHEET 1	-	-	-



KEYING BY POSITION SIZE



RECOMMENDED PCB LAYOUT (COMPONENT SIDE)

THIS DRAWING IS A CONTROLLED DOCUMENT.		DWN K. WHITAKER 19-MAR-2003		TE Connectivity	
DIMENSIONS: mm		CHK C. JONES 19-MAR-2003		NAME SURFACE MOUNT, VERTICAL, SURFACE MOUNT HOLDDOWN, ASSEMBLY, 30 GOLD HEADER, DUAL ROW, MICRO MATE-N-LOK(TM)	
TOLERANCES UNLESS OTHERWISE SPECIFIED:		APVD C. JONES 19-MAR-2003	PRODUCT SPEC	SIZE	CAGE CODE
0 PLC ±		108-1836	APPLICATION SPEC	DRAWING NO	RESTRICTED TO
1 PLC ±		114-13000	WEIGHT	A200779	C-794638
2 PLC ±0.13		CUSTOMER DRAWING	SCALE	4:1	SHEET 2 OF 2
3 PLC ±					REV K4
4 PLC ±					
ANGLES ±1°					
FINISH					