

MATERIAL :

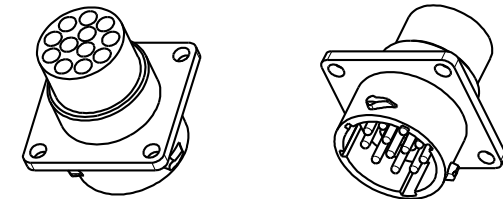
Shell: Polyamid UL94 V-0
O-seal: Sealing IP68/69K : viton

PERFORMANCE CHARACTERISTICS :

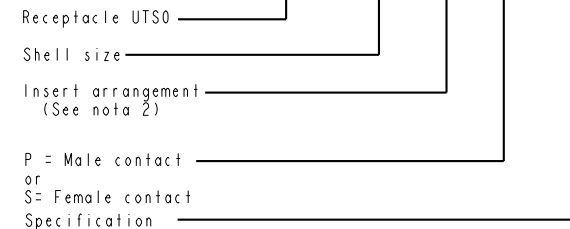
Operating temperature: -40°C up to 105°C
Insulation resistance: 5000 MΩ min
Test potential: 2000 Vrms for #16 layout
Corrosion salt spray: 500 hours
Durability: 250 matings and unmatings
Sealing in mated conditions:
-IP68 1 bar during 1 week : immersion under 10 m of water. (IEC 60529)
-IP69K : exposure to high pressure water of cleaning equipment (DIN 40050)

NOTES :

- 1-Contact to be ordered separately : refer to TRIM TRIO catalog
- 2-Insert arrangements: refer to :
UTO-CONTACT-L-C01 (Male insulator)
UTO-CONTACT-L-C02 (Female insulator)



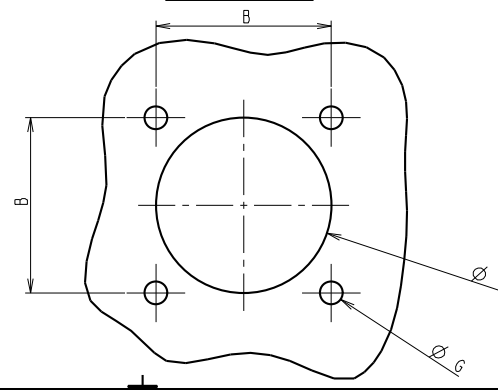
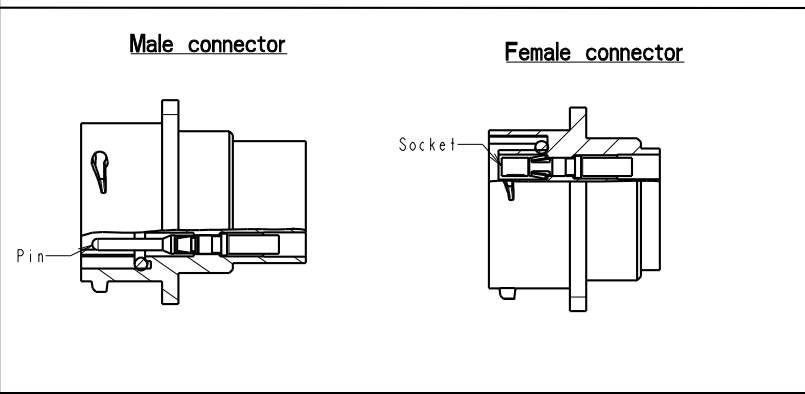
UTS0 14 12 P XX



SHELL SIZE	ARRANGEMENT	THREAD	ØH±0.15	C MAX.		D ±0.2	E±0.15	A±0.25	B±0.25	ØG±0.1	ØP±0.1	K±0.2	ØF±0.2	ØJ MAX
				MALE	FEMALE									
10	4	9/16 24 UNEF CLASS 2A	15.00	31.75	24.2	11.35	2.30	23.80	18.30	3.2	15.1	21.2	10.9	14.4
12	8	11/16 24 UNEF CLASS 2A	19.00	31.75	24.2	11.35	2.30	26.20	20.6	3.2	18.2	21.2	13.8	17.6
14	12	13/16 20 UNEF CLASS 2A	22.20	31.75	24.2	11.35	2.30	28.60	23.00	3.2	21.4	21.2	17	20.8
18	23	1 1/16 18 UNEF CLASS 2A	28.50	31.75	24.2	11.35	2.50	33.30	27.00	3.2	27.8	21.2	22.4	27.1

Dimension Ø P for front panel mounting
PANEL CUT OUT

CUSTOMER DRAWING



C	17/02/09	Add female version		--
ISS	DATE	Latest modification - by:	RAGAINÉ M.	MOD N°
Designed by: ROUILLARD Ch. Date: 07/11/08		Type of drawing:	CUSTOMER	
Checked by: SEE DISTRIBUTION LIST		Date:	SEE DISTRIBUTION LIST	
TITLE		RECEPTACLE TYPE 0 UTS CONNECTOR		
Scale	General angular	MATERIAL --		
1/1	Tolerances: ± 1°	--		
General linear	Tolerances: ±0.1	General machining	Ra 3.2	PROJECT
		Surface texture	See NF E 04-552	
		SOURIAU Route Nationale 23 72410 CHAMPAGNE Tel. (33)02.43.54.35.00		This document is the property of SOURIAU It must not be reproduced or communicated to third parties without SOURIAU's prior written consent.
FORMAT	SOURIAU DRG N°			SHEET
A2	C063-UTS1-A			1 / 1

NOT EXPORT CONTROLLED