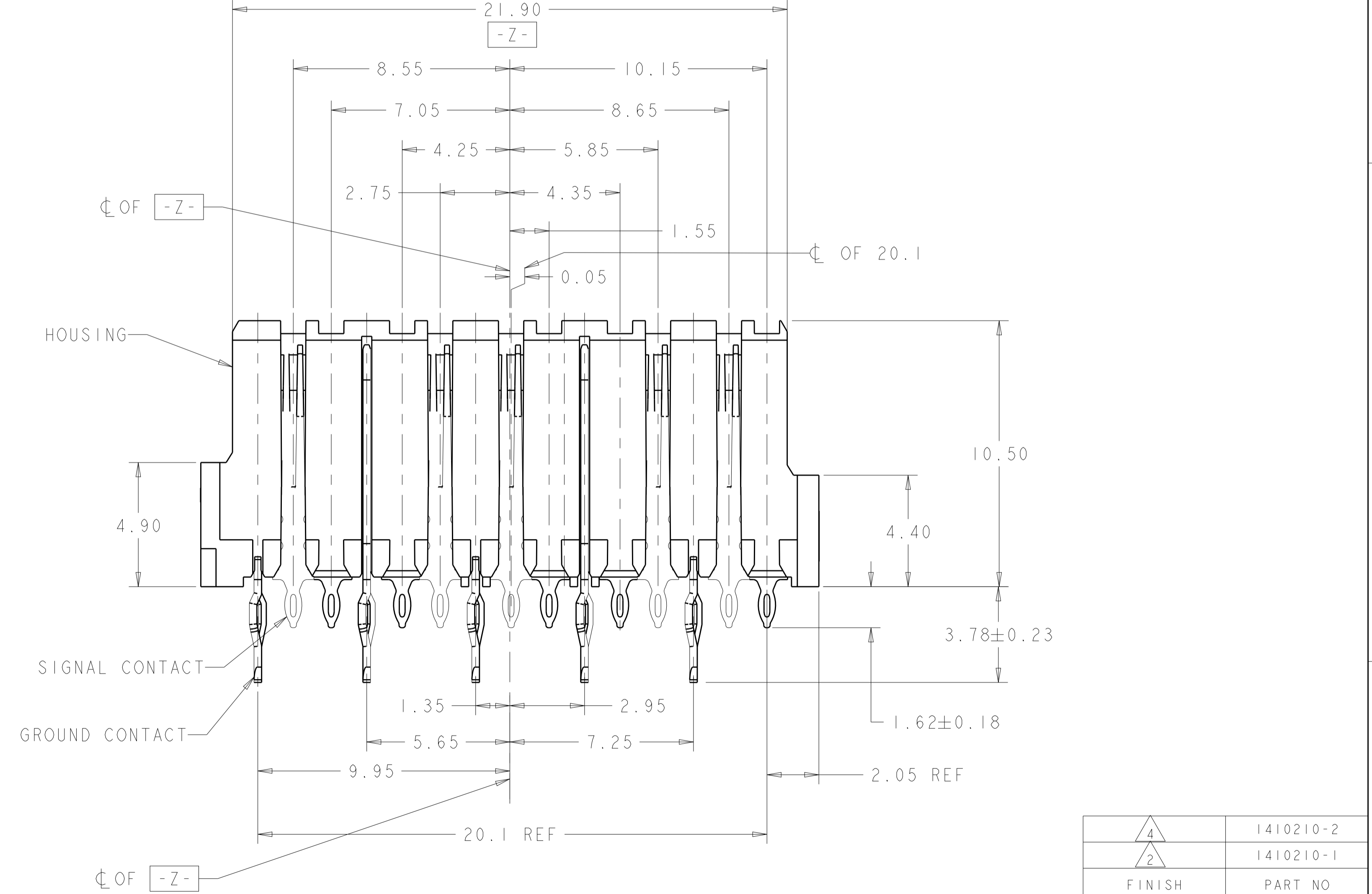
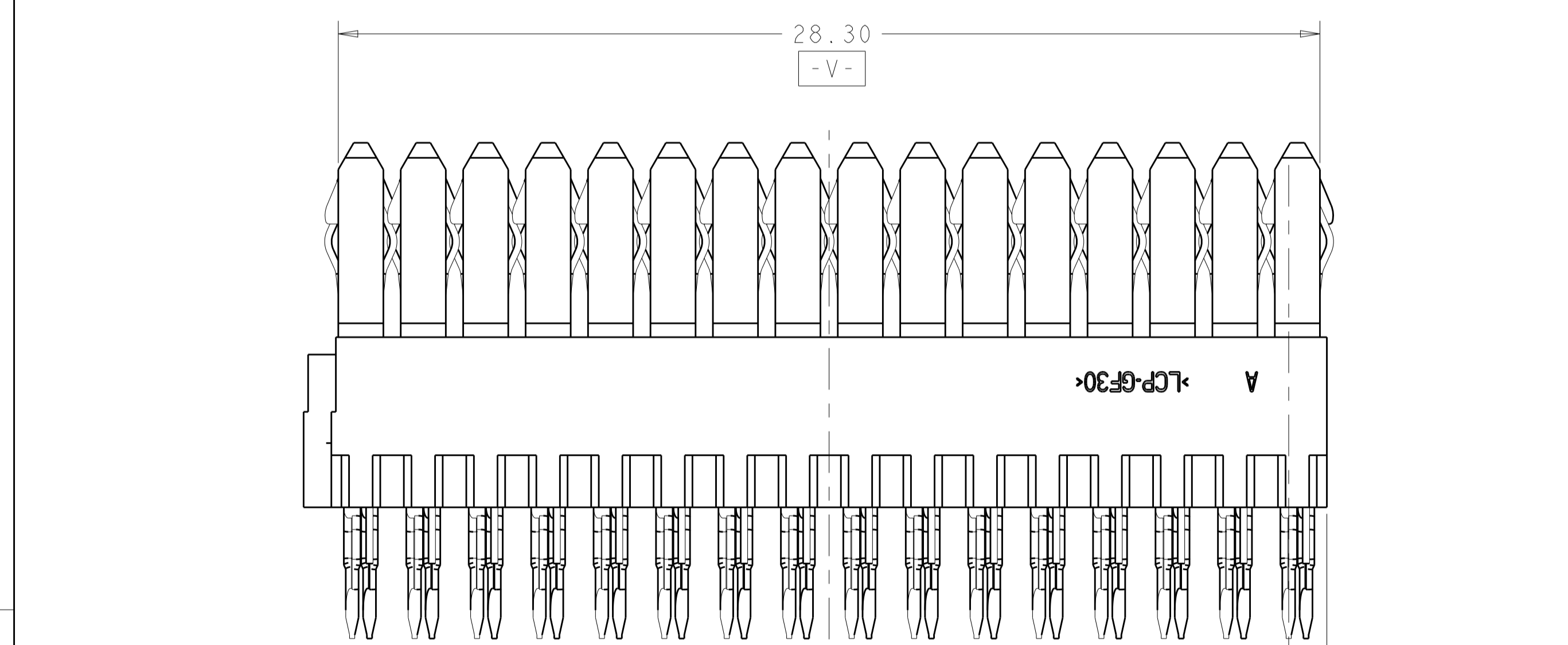
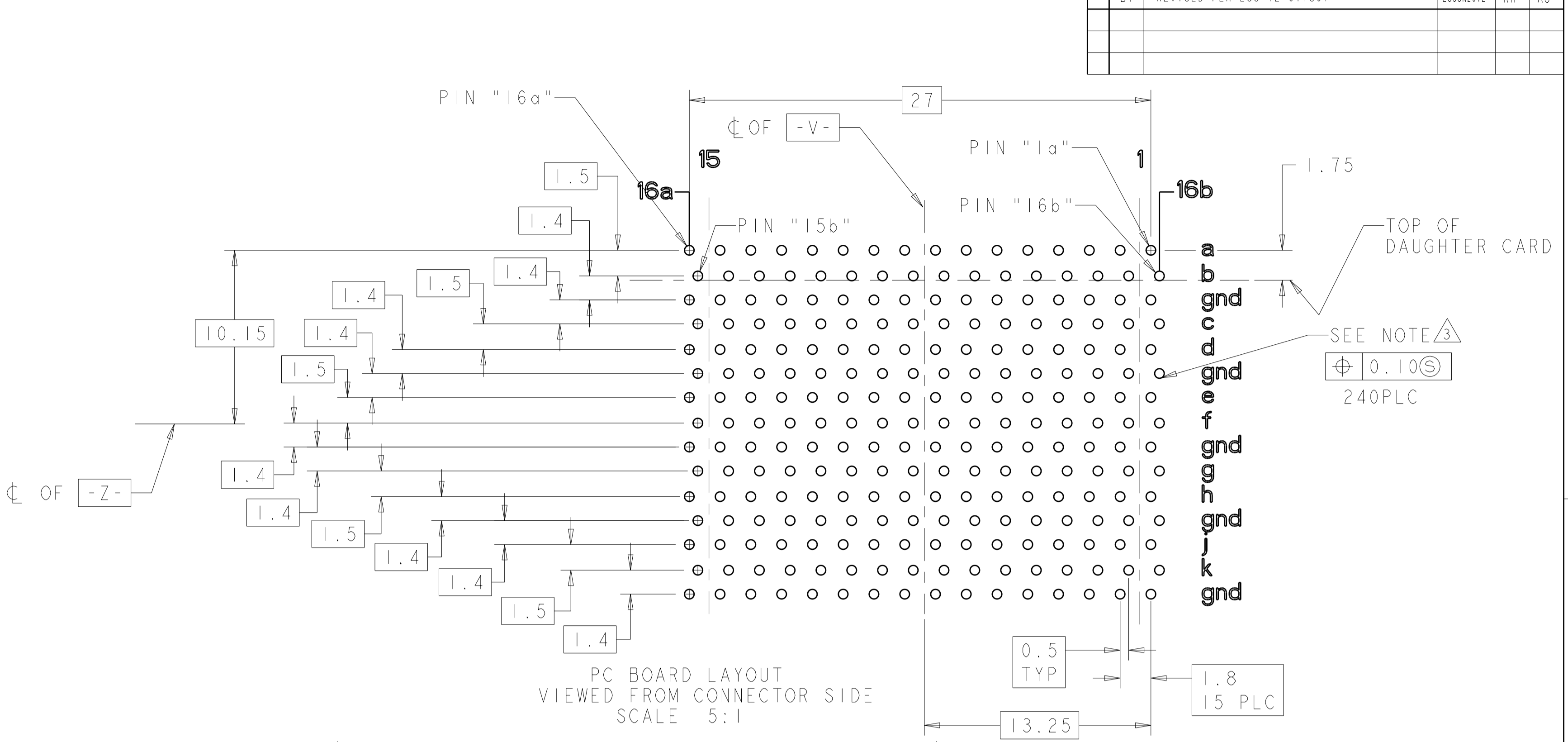
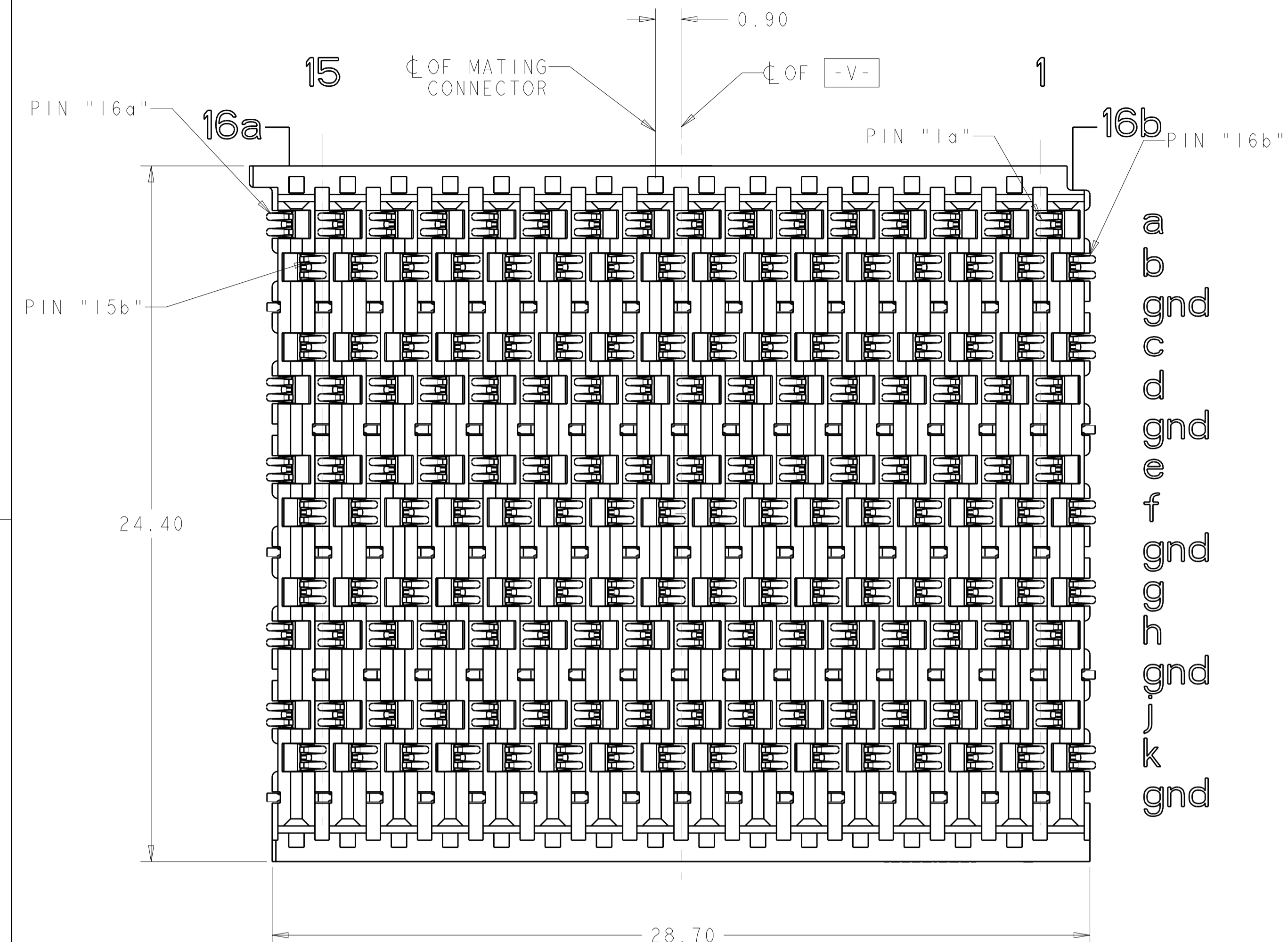


LOC		DIST		REVISONS			
AD	00	P	LTN	DESCRIPTION	DATE	DWN	APVD
		B1		REVISED PER ECO-12-011861	28JUN2012	KH	AS



- ① HOUSING: LCP, UL94V-0, BLACK. CONTACT: PHOSPHOR BRONZE.
- ② 1.27µm GOLD PER ASTM B 488 IN CONTACT AREA, 1.27µm MIN TIN-LEAD ON PCB TAIL, OVER 3.81µm MIN NICKEL PER SAE AMS-QQ-N-290 OVER ALL.
- ③ PLATED THROUGH HOLE PER 114-13056, FIGURE 4.
- ④ 1.27 µm GOLD PER ASTM B 488 IN CONTACT AREA, 1.27 µm MIN MATTE TIN PER ASTM B 545 ON PCB TAIL, OVER 3.81 µm MIN NICKEL PER SAE AMS-QQ-N-290 OVER ALL.

④	1410210-2
②	1410210-1
FINISH	PART NO

THIS DRAWING IS A CONTROLLED DOCUMENT.

DIMENSIONS:	TOLERANCES UNLESS OTHERWISE SPECIFIED:	DWN: D.E. STAHL 01JUN2000	CHK: S. MICKIEVICZ 01JUN2000	APVD: S. MICKIEVICZ 01JUN2000
mm	0 PLC ±0.5	NAME: VERTICAL RECEPTACLE ASSEMBLY, CENTER, FULL, 25.4mm, MultiGig RT-1, BACKPLANE CONNECTOR		
	1 PLC ±0.13	PRODUCT SPEC: 108-2072		
	3 PLC ±0.13	APPLICATION SPEC: 114-13056		
	4 PLC ±0.13	SIZE: 114-13056		
	ANGLES ±0.1°	WEIGHT: -		
MATERIAL: ①	FINISH: ② ④	CAGE CODE: A100779		
CUSTOMER DRAWING		SCALE: 8:1 SHEET 1 OF 1 REV: B1		

TE Connectivity