

LITIX™ Basic+ Offload Board TLD1114-1EP V1.0

November 2018



Agenda

1

Board description

2

Quick start

3

Schematic and layout

Agenda

1

Board description

2

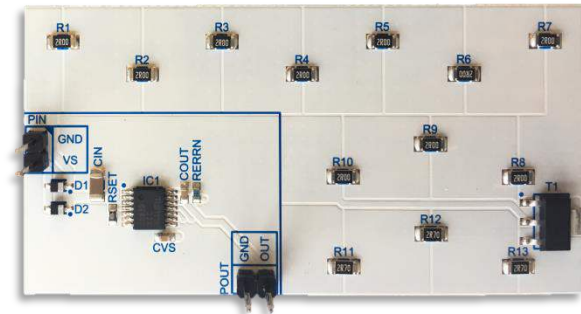
Quick start

3

Schematic and layout

Board description

- › Equipped with one TLD1114-1EP LITIX™ Basic+ Companion device
- › Output current set $\sim 360\text{mA}$
- › Supported supply voltage range: 8V – 16V
- › On-board power shift circuit to support 360mA output current
- › Possibility to connect to external load
- › 7cm x 3.5cm 2-layer FR4 PCB with 35 μm copper



Agenda

1

Board description

2

Quick start

3

Schematic and layout

Quickstart

- › Connect power supply to VS and GND (voltage between 8V – 16V)
- › Connect external LED load (e.g. $V_f \sim 6V$) with $I_{max} > 360mA$
- › Enable power supply

Agenda

1

Board description

2

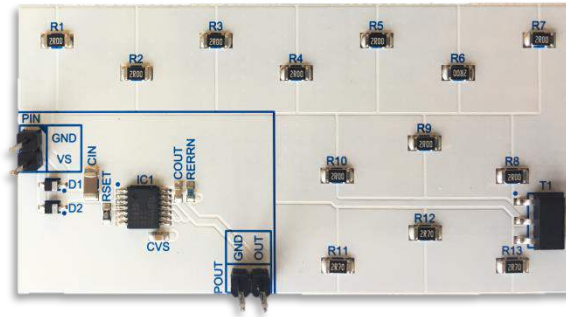
Quick start

3

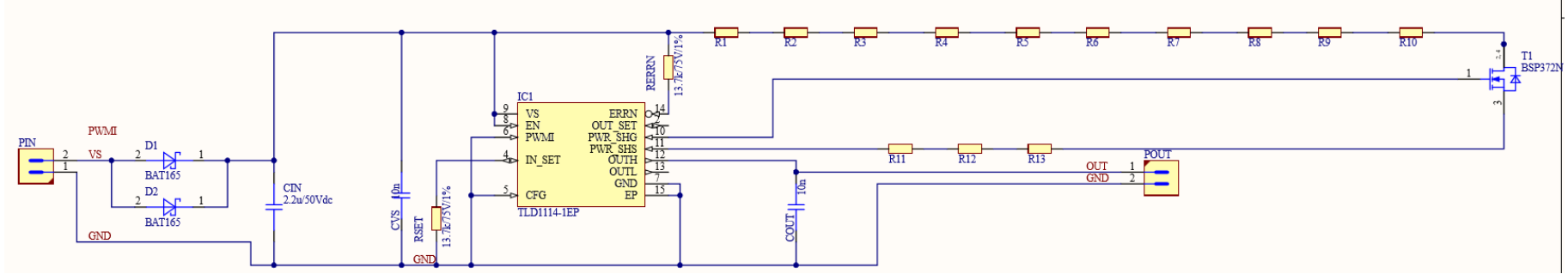
Schematic and layout

Schematic and Layout

- › The schematic and layout designs are shown on the following pages.
- › The visible content (names,...) can be activated or deactivated using the PDF reader layer settings.



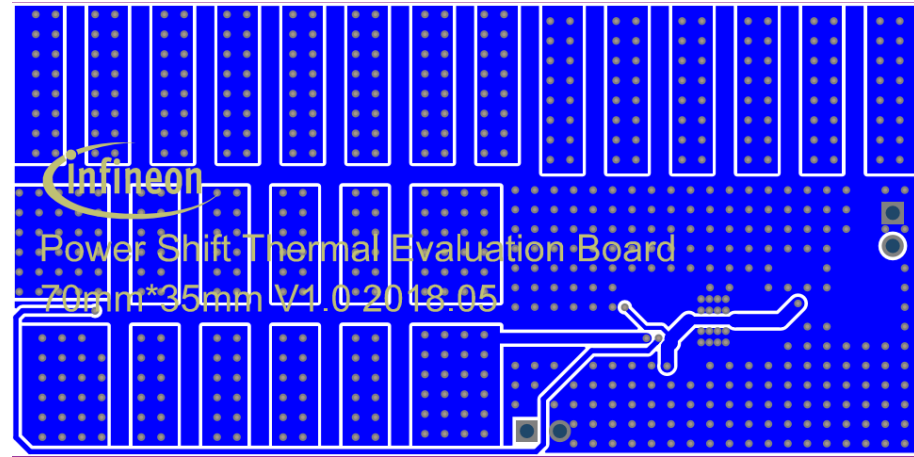
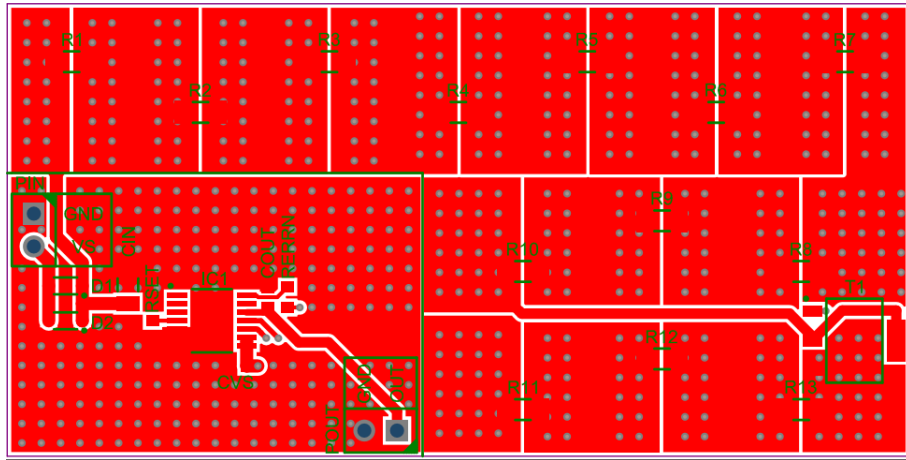
Schematic



> R1 - R10 = 2Ω

> R11 - R13 = 2.7Ω

PCB Layout top and bottom layer



Edition 2018-07-26
Published by Infineon Technologies AG,
Am CAMPEON™ 1-8,
85579 Neubiberg, Germany
© Infineon Technologies AG 2018.
All Rights Reserved.

LEGAL DISCLAIMER:

THE INFORMATION GIVEN IN THIS DOCUMENT IS GIVEN AS A HINT FOR THE IMPLEMENTATION OF THE INFINEON TECHNOLOGIES COMPONENT ONLY AND SHALL NOT BE REGARDED AS ANY DESCRIPTION OR WARRANTY OF A CERTAIN FUNCTIONALITY, CONDITION OR QUALITY OF THE INFINEON TECHNOLOGIES COMPONENT. THE RECIPIENT OF THIS DOCUMENT MUST VERIFY ANY FUNCTION DESCRIBED HEREIN IN THE REAL APPLICATION. INFINEON TECHNOLOGIES HEREBY DISCLAIMS ANY AND ALL WARRANTIES AND LIABILITIES OF ANY KIND (INCLUDING WITHOUT LIMITATION WARRANTIES OF NON-INFRINGEMENT OF INTELLECTUAL PROPERTY RIGHTS OF ANY THIRD PARTY) WITH RESPECT TO ANY AND ALL INFORMATION GIVEN IN THIS DOCUMENT.

Information

For further information on technology, delivery terms and conditions and prices please contact your nearest Infineon Technologies Office (www.infineon.com).

Warnings

Due to technical requirements components may contain dangerous substances. For information on the types in question please contact your nearest Infineon Technologies Office. Infineon Technologies Components may only be used in life-support devices or systems with the express written approval of Infineon Technologies. Life support devices or systems are intended to be implanted in the human body, or to support and/or maintain and sustain and/or protect human life. If they fail, it is reasonable to assume that the health of the user or other persons may be endangered.



Part of your life. Part of tomorrow.

