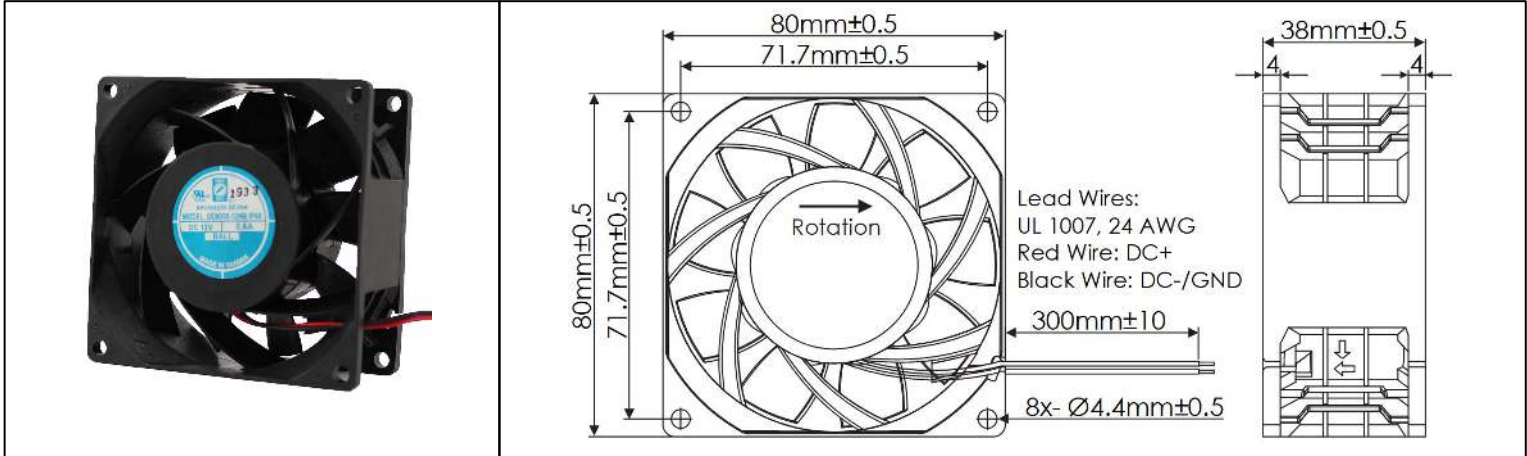


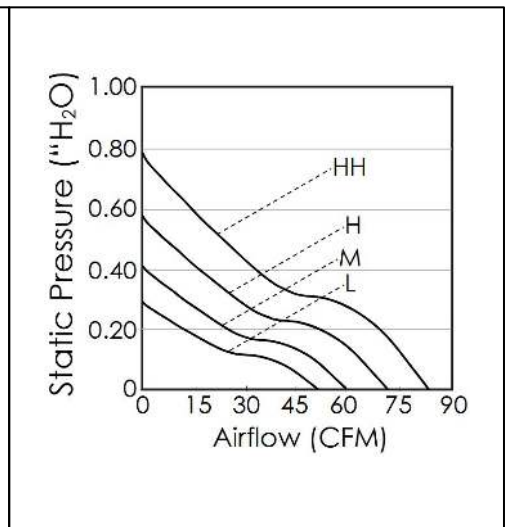
OD8038 IP68 Series



DC Fans - 12, 24V
80mm x 38mm (3.15" x 1.5")



Frame	PBT, UL94 V-0 Plastic	Operating Temperature -20°C ~ +65°C Storage Temperature -20°C ~ +75°C Life Expectancy 70,000 Hours (L10 at 40°C) Available Options Tachometer Output Alarm Output PWM Speed Control Input Other IP Ratings Weight: 0.46 lbs
Impeller	PBT, UL94 V-0 Plastic	
Connection	2x Lead Wires, 24 AWG	
Motor	Brushless DC, Auto Cutoff, Auto Restart, Polarity Protected, Electronically Protected, IP68	
Bearing System	Ball Bearings	
Dielectric Strength	500VDC/min, <1mA	
Insulation Resistance	≥10M @ 500 VDC	



Part Number	Rated Voltage (Volts DC)	Voltage Range (Volts DC)	Input Power (Watts)	Rated Current (Amps)	Rated Speed (RPM)	Max Airflow (CFM)	Noise Level (dBA)	Max Static Pressure (\"H ₂ O)
OD8038-12HHBIP68	12	8 ~ 13.8	10.8	0.90	5800	82	52.2	0.78
OD8038-12HBIP68	12	8 ~ 13.8	7.20	0.60	5000	71	49.1	0.58
OD8038-12MBIP68	12	8 ~ 13.8	4.80	0.40	4200	60	45.6	0.41
OD8038-12LBIP68	12	8 ~ 13.8	3.60	0.30	3500	50	41.3	0.28
OD8038-24HHBIP68	24	15 ~ 26	10.8	0.45	5800	82	52.2	0.78
OD8038-24HBIP68	24	15 ~ 26	7.20	0.30	5000	71	49.1	0.58
OD8038-24MBIP68	24	15 ~ 26	6.00	0.25	4200	60	45.6	0.41
OD8038-24LBIP68	24	15 ~ 26	4.80	0.20	3500	50	41.3	0.28