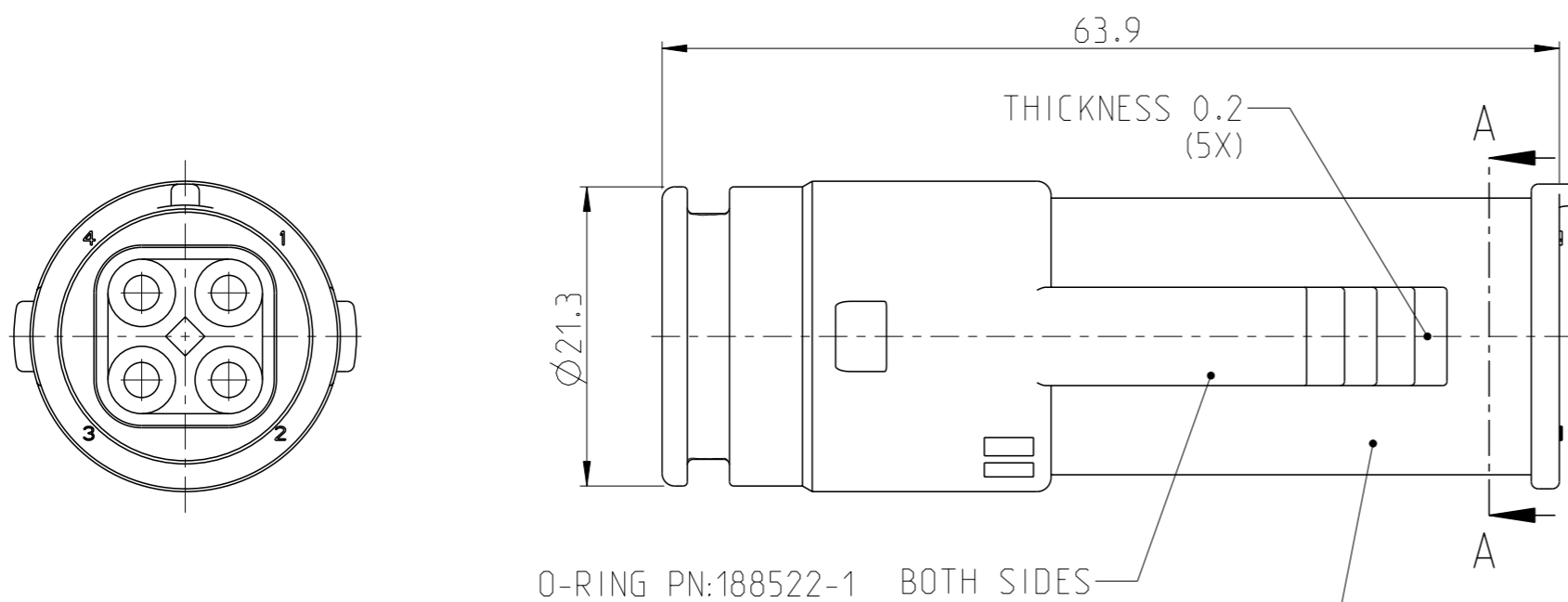


LOC
FM

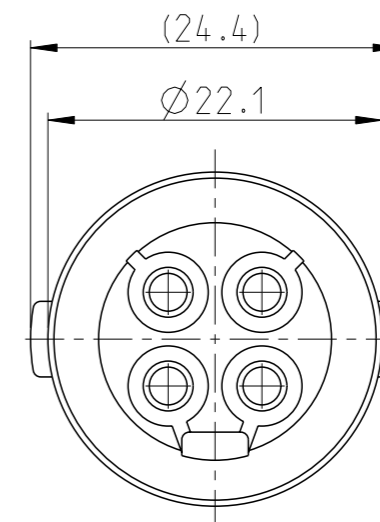
DIST
1

REVISIONS

P	LTR	DESCRIPTION	DATE	DWN	APVD
	F1	ECR-11-019262	25OCT2011	GN	GB

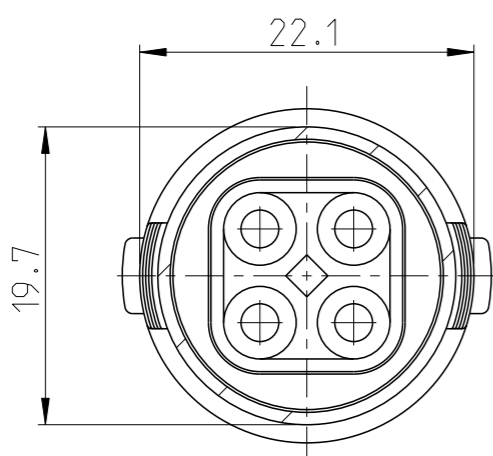


O-RING PN:188522-1 BOTH SIDES
 CAP HOUSING PN: 167718



NOTES:

- "O"-RING IS LUBRICATED WITH A SOLUTION OF:
 - DODUCONTA B25 - 50%
 - ISOPROPYL ALCOOL - 50%



SECTION A-A

FOR REFERENCE ONLY
WILL NOT BE UPDATED

COLOR	MATERIAL	PART NUMBER
YELLOW	ZYTEL ST 801, U.V. RESISTANT, POLYAMIDE 6.6	5-167731-4
RED		5-167731-3
BLACK		5-167731-2
WHITE		5-167731-1
YELLOW	OBSOLETE ZYTEL 101, POLYAMIDE 6.6	167731-4
RED		167731-3
BLACK		167731-2
WHITE		167731-1

THIS DRAWING IS A CONTROLLED DOCUMENT.

DIMENSIONS: mm		TOLERANCES UNLESS OTHERWISE SPECIFIED:	
	0 PLC ±	1 PLC ±	2 PLC ±
	3 PLC ±	4 PLC ±	ANGLES ±
MATERIAL	FINISH		

DWN	R.v. LOKVEN	20OCT83
CHK	H.VD STEEN	20OCT83
APVD	L.VAN SOEST	31OCT83
PRODUCT SPEC		
APPLICATION SPEC		
WEIGHT		

STE TE Connectivity

NAME: 4 POS ECONOSEAL SERIES
EH CONNECTOR CAP ASSY

SIZE	CAGE CODE	DRAWING NO	RESTRICTED TO
A3	00779	©=167731	-

CUSTOMER DRAWING SCALE: 2:1 SHEET 1 OF 1 REV F1