

| NO. CKTS | DIM. A         | DIM. B         |
|----------|----------------|----------------|
| 2        | 5.08<br>.200   | 2.54<br>.100   |
| 3        | 7.62<br>.300   | 5.08<br>.200   |
| 4        | 10.16<br>.400  | 7.62<br>.300   |
| 5        | 12.70<br>.500  | 10.16<br>.400  |
| 6        | 15.24<br>.600  | 12.70<br>.500  |
| 7        | 17.78<br>.700  | 15.24<br>.600  |
| 8        | 20.32<br>.800  | 17.78<br>.700  |
| 9        | 22.86<br>.900  | 20.32<br>.800  |
| 10       | 25.40<br>1.000 | 22.86<br>.900  |
| 11       | 27.94<br>1.100 | 25.40<br>1.000 |
| 12       | 30.48<br>1.200 | 27.94<br>1.100 |
| 13       | 33.02<br>1.300 | 30.48<br>1.200 |
| 14       | 35.56<br>1.400 | 33.02<br>1.300 |
| 15       | 38.10<br>1.500 | 35.56<br>1.400 |
| 16       | 40.64<br>1.600 | 38.10<br>1.500 |
| 17       | 43.18<br>1.700 | 40.64<br>1.600 |
| 18       | 45.72<br>1.800 | 43.18<br>1.700 |
| 19       | 48.26<br>1.900 | 45.72<br>1.800 |
| 20       | 50.80<br>2.000 | 48.26<br>1.900 |
| 21       | 53.34<br>2.100 | 50.80<br>2.000 |
| 22       | 55.88<br>2.200 | 53.34<br>2.100 |
| 23       | 58.42<br>2.300 | 55.88<br>2.200 |
| 24       | 60.96<br>2.400 | 58.42<br>2.300 |
| 25       | 63.50<br>2.500 | 60.96<br>2.400 |
| 26       | 66.04<br>2.600 | 63.50<br>2.500 |
| 27       | 68.58<br>2.700 | 66.04<br>2.600 |
| 28       | 71.12<br>2.800 | 68.58<br>2.700 |
| 29       | 73.66<br>2.900 | 71.12<br>2.800 |
| 30       | 76.20<br>3.000 | 73.66<br>2.900 |
| 31       | 78.74<br>3.100 | 76.20<br>3.000 |
| 32       | 81.28<br>3.200 | 78.74<br>3.100 |
| 33       | 83.82<br>3.300 | 81.28<br>3.200 |
| 34       | 86.36<br>3.400 | 83.82<br>3.300 |
| 35       | 88.90<br>3.500 | 86.36<br>3.400 |
| 36       | 91.44<br>3.600 | 88.90<br>3.500 |



DETAIL X

SCALE 5:1

SEE NOTE 10



DETAIL Y

SCALE 5:1

SEE NOTE 10

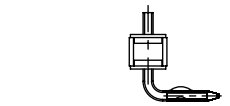


DETAIL Z

SCALE 5:1

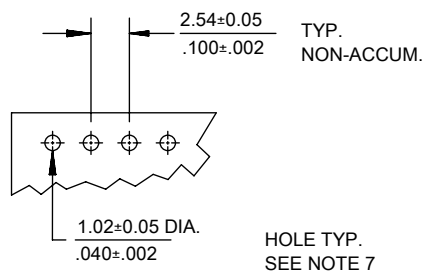
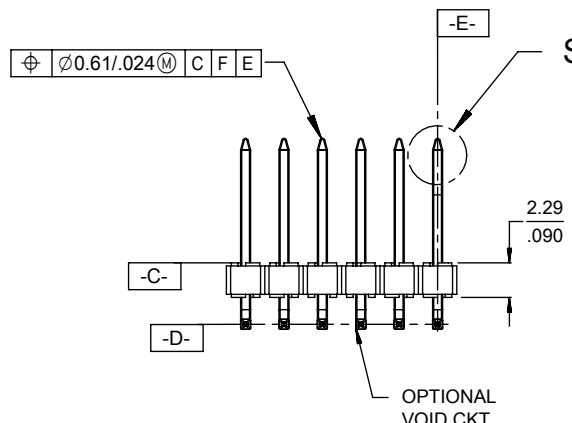
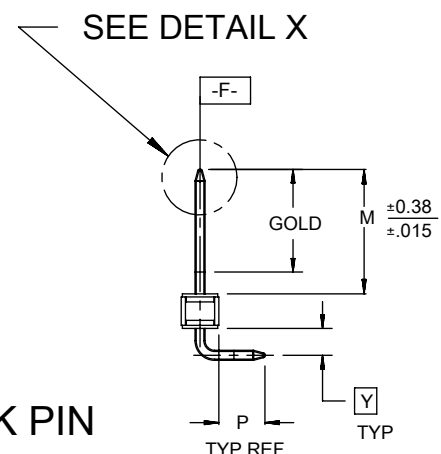


- NOTES:
- MATERIAL: GLASS FILLED NYLON  
UL94V-0, COLOR: BLACK
  - FINISH:  
(154) OVERALL TIN: 0.00254/.000100 MIN. OVER  
NICKEL: 0.00127/.000050 MIN.  
(208) SELECT GOLD: 0.00038/.000015 MIN,  
SELECT TIN: 0.00254/.000100 MIN,  
WITH OVERALL NICKEL UNDERPLATE: 0.00127/.000050 MIN.  
(228) SELECT GOLD: 0.00076/.000030 MIN,  
SELECT TIN: 0.00254/.000100 MIN,  
WITH OVERALL NICKEL UNDERPLATE: 0.00127/.000050 MIN.
  - PRODUCT SPECIFICATION: PS 10-07.
  - PACKAGING INFORMATION: SEE TABLES
  - SOLDERABILITY PER SMES-152.
  - PIN PUSH OUT FORCE: 3 LBS. MIN
  - KINK PIN OPTION NOT RECOMMENDED FOR 2 CIRCUIT PARTS.  
HOLE SIZE MAY NEED TO BE ADJUSTED FOR 2 CIRCUIT PARTS  
WITH KINK OPTION FOR PROPER INSERTION INTO THE PCB.  
SEE SMES-42003 FOR ADDITIONAL INFORMATION  
ON KINK PIN DIRECTION AND PLACEMENT.
  - HEADERS ARE NOT STACKABLE ON 2.54/.100 CENTERS.
  - THIS PART CONFORMS TO CLASS B REQUIREMENTS OF  
COSMETIC SPECIFICATION PS-45499-002.
  - PIN TIP DIMENSIONS ARE SHOWN FOR REFERENCE ONLY.  
DIMENSIONS APPLY PRIOR TO PLATING OR ASSEMBLY.



OPTIONAL KINK PIN

SEE NOTE 7



TYP. HOLE PATTERN  
FOR 1.57/.062 THK. PCB

|       |     |
|-------|-----|
| 2*    | Y   |
| 1     | Y   |
| SHEET | REV |

|                 |    |              |            |          |
|-----------------|----|--------------|------------|----------|
| DOCUMENT STATUS | P1 | RELEASE DATE | 2021/10/29 | 10:07:53 |
|-----------------|----|--------------|------------|----------|

|  |   |                        |   |                          |                         |  |
|--|---|------------------------|---|--------------------------|-------------------------|--|
| FUNCTIONAL SYMBOLS<br>FA = 0<br>FE = 0<br>FP = 0     | THIS DRAWING CONTAINS INFORMATION THAT IS PROPRIETARY TO MOLEX ELECTRONIC TECHNOLOGIES, LLC AND SHOULD NOT BE USED WITHOUT WRITTEN PERMISSION |                        | CURRENT REV DESC: GOLD LENGTH SPEC CHANGED AS MIN 3.56 FOR A-42377-0107 / 0141. |                          |                         |  |
|  | DIMENSION UNITS   |                        |   |                          |                         |  |
|  | mm  |                        | 1:1   |                          | EC NO: 683281           |  |
|  | GENERAL TOLERANCES (UNLESS SPECIFIED)   |                        |   |                          | DRWN: SHRUTJ 2021/04/05 |  |
| 4 PLACES ±   |   | ±                      |   | CHK'D: SHRUTJ 2021/10/29 |                         |  |
| 3 PLACES ±   |   | ± 0.01                 |   | APPR: ISHWARG 2021/10/29 |                         |  |
| 2 PLACES ± 0.25                                      |   | ± 0.015                |   | INITIAL REVISION:        |                         |  |
| 1 PLACE ± 0.38                                       |   | ±                      |   | DRWN: JSCHAFFER 11/24/03 |                         |  |
| 0 PLACES ±   |   | ±                      |   | APPR: MARGULIS 11/24/03  |                         |  |
| ANGULAR TOL ± °                                      |   | ± °                    |   | DOCUMENT NUMBER          |                         |  |
| DRAFT WHERE APPLICABLE MUST REMAIN WITHIN DIMENSIONS |   | THIRD ANGLE PROJECTION |   | SD-42377-001             |                         |  |
|  |   | DRAWING B-SIZE         |   | DOC TYPE PSD             |                         |  |
|  |   | SERIES 42377           |   | DOC PART 000             |                         |  |
|  |   | MATERIAL NUMBER        |   | REVISION Y1              |                         |  |
|  |   | CUSTOMER               |   | SHEET NUMBER             |                         |  |
|  |   | SEE CHART              |   | 1 OF 1                   |                         |  |
|  |   | GENERAL MARKET         |   |                          |                         |  |



| ✓ A-42377-0002 / 0036 |                    |            |      |                 |            |
|-----------------------|--------------------|------------|------|-----------------|------------|
| HEADER NUMBER:        | 42312-0036         |            |      |                 |            |
| PIN NUMBER:           | 42663-AZA154       |            |      |                 |            |
| PIN LENGTH: L         | .550/13.97         |            |      |                 |            |
| MATING LENGTH: M      | .244/6.20          |            |      |                 |            |
| GOLD POINT: G         | N/A                |            |      |                 |            |
| PIN HEIGHT: Y         | .070/1.78          |            |      |                 |            |
| PC TAIL LENGTH: P     | .120/3.05          |            |      |                 |            |
| TIN: T                | OVERALL            |            |      |                 |            |
| CKTS:                 | 2-36               |            |      |                 |            |
| KINKS:                | NONE               |            |      |                 |            |
| REMOVED BACKWALLS:    | NONE               |            |      |                 |            |
| VOIDED CKTS:          | NONE               |            |      |                 |            |
| PACKAGING:            | BULK PK-40873-0041 |            |      |                 |            |
| CKTS                  | MATERIAL NUMBER    | ENG NUMBER | CKTS | MATERIAL NUMBER | ENG NUMBER |
| 02                    | 22-28-8020         | 42377-0002 | 20   | 22-28-8200      | 42377-0020 |
| 03                    | 22-28-8030         | 42377-0003 | 21   | 22-28-8210      | 42377-0021 |
| 04                    | 22-28-8040         | 42377-0004 | 22   | 22-28-8220      | 42377-0022 |
| 05                    | 22-28-8050         | 42377-0005 | 23   | 22-28-8230      | 42377-0023 |
| 06                    | 22-28-8060         | 42377-0006 | 24   | 22-28-8240      | 42377-0024 |
| 07                    | 22-28-8070         | 42377-0007 | 25   | 22-28-8250      | 42377-0025 |
| 08                    | 22-28-8080         | 42377-0008 | 26   | 22-28-8260      | 42377-0026 |
| 09                    | 22-28-8090         | 42377-0009 | 27   | 22-28-8270      | 42377-0027 |
| 10                    | 22-28-8100         | 42377-0010 | 28   | 22-28-8280      | 42377-0028 |
| 11                    | 22-28-8110         | 42377-0011 | 29   | 22-28-8290      | 42377-0029 |
| 12                    | 22-28-8120         | 42377-0012 | 30   | 22-28-8300      | 42377-0030 |
| 13                    | 22-28-8130         | 42377-0013 | 31   | 22-28-8310      | 42377-0031 |
| 14                    | 22-28-8140         | 42377-0014 | 32   | 22-28-8320      | 42377-0032 |
| 15                    | 22-28-8150         | 42377-0015 | 33   | 22-28-8330      | 42377-0033 |
| 16                    | 22-28-8160         | 42377-0016 | 34   | 22-28-8340      | 42377-0034 |
| 17                    | 22-28-8170         | 42377-0017 | 35   | 22-28-8350      | 42377-0035 |
| 18                    | 22-28-8180         | 42377-0018 | 36   | 22-28-8360      | 42377-0036 |
| 19                    | 22-28-8190         | 42377-0019 |      |                 |            |

| ✓ A-42377-0037 / 0071 |                    |            |      |                 |            |
|-----------------------|--------------------|------------|------|-----------------|------------|
| HEADER NUMBER:        | 42312-0036         |            |      |                 |            |
| PIN NUMBER:           | 42663-BSA154       |            |      |                 |            |
| PIN LENGTH: L         | .640/16.00         |            |      |                 |            |
| MATING LENGTH: M      | .324/8.23          |            |      |                 |            |
| GOLD POINT: G         | N/A                |            |      |                 |            |
| PIN HEIGHT: Y         | .070/1.78          |            |      |                 |            |
| PC TAIL LENGTH: P     | .120/3.05          |            |      |                 |            |
| TIN: T                | OVERALL            |            |      |                 |            |
| CKTS:                 | 2-36               |            |      |                 |            |
| KINKS:                | NONE               |            |      |                 |            |
| REMOVED BACKWALLS:    | NONE               |            |      |                 |            |
| VOIDED CKTS:          | NONE               |            |      |                 |            |
| PACKAGING:            | BULK PK-40873-0041 |            |      |                 |            |
| CKTS                  | MATERIAL NUMBER    | ENG NUMBER | CKTS | MATERIAL NUMBER | ENG NUMBER |
| 02                    | 22-28-8021         | 42377-0037 | 20   | 22-28-8201      | 42377-0055 |
| 03                    | 22-28-8031         | 42377-0038 | 21   | 22-28-8211      | 42377-0056 |
| 04                    | 22-28-8041         | 42377-0039 | 22   | 22-28-8221      | 42377-0057 |
| 05                    | 22-28-8051         | 42377-0040 | 23   | 22-28-8231      | 42377-0058 |
| 06                    | 22-28-8061         | 42377-0041 | 24   | 22-28-8241      | 42377-0059 |
| 07                    | 22-28-8071         | 42377-0042 | 25   | 22-28-8251      | 42377-0060 |
| 08                    | 22-28-8081         | 42377-0043 | 26   | 22-28-8261      | 42377-0061 |
| 09                    | 22-28-8091         | 42377-0044 | 27   | 22-28-8271      | 42377-0062 |
| 10                    | 22-28-8101         | 42377-0045 | 28   | 22-28-8281      | 42377-0063 |
| 11                    | 22-28-8111         | 42377-0046 | 29   | 22-28-8291      | 42377-0064 |
| 12                    | 22-28-8121         | 42377-0047 | 30   | 22-28-8301      | 42377-0065 |
| 13                    | 22-28-8131         | 42377-0048 | 31   | 22-28-8311      | 42377-0066 |
| 14                    | 22-28-8141         | 42377-0049 | 32   | 22-28-8321      | 42377-0067 |
| 15                    | 22-28-8151         | 42377-0050 | 33   | 22-28-8331      | 42377-0068 |
| 16                    | 22-28-8161         | 42377-0051 | 34   | 22-28-8341      | 42377-0069 |
| 17                    | 22-28-8171         | 42377-0052 | 35   | 22-28-8351      | 42377-0070 |
| 18                    | 22-28-8181         | 42377-0053 | 36   | 22-28-8361      | 42377-0071 |
| 19                    | 22-28-8191         | 42377-0054 |      |                 |            |

|  |  |  |                               |
|--|--|--|-------------------------------|
| REV:<br><b>Y</b>                         | ECM INFORMATION:<br>ECM No: <b>107985</b><br>DATE: <b>10/29/2021</b> | TITLE:<br><b>KK 100 HEADER ASSEMBLY<br/>FLAT RIGHT ANGLE<br/>BREAKAWAY</b> | SHEET No.<br><b>- 2 -</b>     |
| DOCUMENT NUMBER:<br><b>SD- 42377-001</b> |  | CREATED / REVISED BY:<br><b>BAPPELDORN</b>                                 | CHECKED BY:<br><b>MKIPPER</b> |
|  |  | APPROVED BY:<br><b>FSMITH</b>  |                               |



|                       |                    |  |  |  |  |
|-----------------------|--------------------|--|--|--|--|
| ✓ A-42377-0072 / 0106 |                    |  |  |  |  |
| HEADER NUMBER:        | 42312-0036         |  |  |  |  |
| PIN NUMBER:           | 42663-AZB208       |  |  |  |  |
| PIN LENGTH: L         | .550/13.97         |  |  |  |  |
| MATING LENGTH: M      | .244/6.20          |  |  |  |  |
| GOLD POINT: G         | .140/3.56          |  |  |  |  |
| PIN HEIGHT: Y         | .070/1.78          |  |  |  |  |
| PC TAIL LENGTH: P     | .120/3.05          |  |  |  |  |
| TIN: T                | .135/3.43          |  |  |  |  |
| CKTS:                 | 2-36               |  |  |  |  |
| KINKS:                | NONE               |  |  |  |  |
| REMOVED BACKWALLS:    | NONE               |  |  |  |  |
| VOIDED CKTS:          | NONE               |  |  |  |  |
| PACKAGING:            | BULK PK-40873-0041 |  |  |  |  |

| CKTS | MATERIAL NUMBER | ENG NUMBER | CKTS | MATERIAL NUMBER | ENG NUMBER |
|------|-----------------|------------|------|-----------------|------------|
| 02   | 22-28-8022      | 42377-0072 | 20   | 22-28-8202      | 42377-0090 |
| 03   | 22-28-8032      | 42377-0073 | 21   | 22-28-8212      | 42377-0091 |
| 04   | 22-28-8042      | 42377-0074 | 22   | 22-28-8222      | 42377-0092 |
| 05   | 22-28-8052      | 42377-0075 | 23   | 22-28-8232      | 42377-0093 |
| 06   | 22-28-8062      | 42377-0076 | 24   | 22-28-8242      | 42377-0094 |
| 07   | 22-28-8072      | 42377-0077 | 25   | 22-28-8252      | 42377-0095 |
| 08   | 22-28-8082      | 42377-0078 | 26   | 22-28-8262      | 42377-0096 |
| 09   | 22-28-8092      | 42377-0079 | 27   | 22-28-8272      | 42377-0097 |
| 10   | 22-28-8102      | 42377-0080 | 28   | 22-28-8282      | 42377-0098 |
| 11   | 22-28-8112      | 42377-0081 | 29   | 22-28-8292      | 42377-0099 |
| 12   | 22-28-8122      | 42377-0082 | 30   | 22-28-8302      | 42377-0100 |
| 13   | 22-28-8132      | 42377-0083 | 31   | 22-28-8312      | 42377-0101 |
| 14   | 22-28-8142      | 42377-0084 | 32   | 22-28-8322      | 42377-0102 |
| 15   | 22-28-8152      | 42377-0085 | 33   | 22-28-8332      | 42377-0103 |
| 16   | 22-28-8162      | 42377-0086 | 34   | 22-28-8342      | 42377-0104 |
| 17   | 22-28-8172      | 42377-0087 | 35   | 22-28-8352      | 42377-0105 |
| 18   | 22-28-8182      | 42377-0088 | 36   | 22-28-8362      | 42377-0106 |
| 19   | 22-28-8192      | 42377-0089 |      |                 |            |

|                       |                    |  |  |  |  |
|-----------------------|--------------------|--|--|--|--|
| ✓ A-42377-0107 / 0141 |                    |  |  |  |  |
| HEADER NUMBER:        | 42312-0036         |  |  |  |  |
| PIN NUMBER:           | 42663-BSB208       |  |  |  |  |
| PIN LENGTH: L         | .630/16.00         |  |  |  |  |
| MATING LENGTH: M      | .324/8.23          |  |  |  |  |
| GOLD POINT: G         | .140/3.56 MIN      |  |  |  |  |
| PIN HEIGHT: Y         | .070/1.78          |  |  |  |  |
| PC TAIL LENGTH: P     | .120/3.05          |  |  |  |  |
| TIN: T                | .135/3.43          |  |  |  |  |
| CKTS:                 | 2-36               |  |  |  |  |
| KINKS:                | NONE               |  |  |  |  |
| REMOVED BACKWALLS:    | NONE               |  |  |  |  |
| VOIDED CKTS:          | NONE               |  |  |  |  |
| PACKAGING:            | BULK PK-40873-0041 |  |  |  |  |

| CKTS | MATERIAL NUMBER | ENG NUMBER | CKTS | MATERIAL NUMBER | ENG NUMBER |
|------|-----------------|------------|------|-----------------|------------|
| 02   | 22-28-8023      | 42377-0107 | 20   | 22-28-8203      | 42377-0125 |
| 03   | 22-28-8033      | 42377-0108 | 21   | 22-28-8213      | 42377-0126 |
| 04   | 22-28-8043      | 42377-0109 | 22   | 22-28-8223      | 42377-0127 |
| 05   | 22-28-8053      | 42377-0110 | 23   | 22-28-8233      | 42377-0128 |
| 06   | 22-28-8063      | 42377-0111 | 24   | 22-28-8243      | 42377-0129 |
| 07   | 22-28-8073      | 42377-0112 | 25   | 22-28-8253      | 42377-0130 |
| 08   | 22-28-8083      | 42377-0113 | 26   | 22-28-8263      | 42377-0131 |
| 09   | 22-28-8093      | 42377-0114 | 27   | 22-28-8273      | 42377-0132 |
| 10   | 22-28-8103      | 42377-0115 | 28   | 22-28-8283      | 42377-0133 |
| 11   | 22-28-8113      | 42377-0116 | 29   | 22-28-8293      | 42377-0134 |
| 12   | 22-28-8123      | 42377-0117 | 30   | 22-28-8303      | 42377-0135 |
| 13   | 22-28-8133      | 42377-0118 | 31   | 22-28-8313      | 42377-0136 |
| 14   | 22-28-8143      | 42377-0119 | 32   | 22-28-8323      | 42377-0137 |
| 15   | 22-28-8153      | 42377-0120 | 33   | 22-28-8333      | 42377-0138 |
| 16   | 22-28-8163      | 42377-0121 | 34   | 22-28-8343      | 42377-0139 |
| 17   | 22-28-8173      | 42377-0122 | 35   | 22-28-8353      | 42377-0140 |
| 18   | 22-28-8183      | 42377-0123 | 36   | 22-28-8363      | 42377-0141 |
| 19   | 22-28-8193      | 42377-0124 |      |                 |            |

|  |  |  |                               |
|--|--|--|-------------------------------|
| REV:<br><b>Y</b>                         | ECM INFORMATION:<br>ECM No: <b>107985</b><br>DATE: <b>10/29/2021</b> | TITLE:<br><b>KK 100 HEADER ASSEMBLY<br/>FLAT RIGHT ANGLE<br/>BREAKAWAY</b> | SHEET No.<br><b>- 3 -</b>     |
| DOCUMENT NUMBER:<br><b>SD- 42377-001</b> |  | CREATED / REVISED BY:<br><b>BAPPELDORN</b>                                 | CHECKED BY:<br><b>MKIPPER</b> |
|  |  | APPROVED BY:<br><b>FSMITH</b>  |                               |



|                       |                    |
|-----------------------|--------------------|
| ✓ A-42377-0142 / 0176 |                    |
| HEADER NUMBER:        | 42312-0036         |
| PIN NUMBER:           | 42663-BCA154       |
| PIN LENGTH: L         | .565/14.35         |
| MATING LENGTH: M      | .244/6.20          |
| GOLD POINT: G         | N/A                |
| PIN HEIGHT: Y         | .070/1.78          |
| PC TAIL LENGTH: P     | .135/3.43          |
| TIN: T                | OVERALL            |
| CKTS:                 | 2-36               |
| KINKS:                | PER SMES-42003     |
| REMOVED BACKWALLS:    | NONE               |
| VOIDED CKTS:          | NONE               |
| PACKAGING:            | BULK PK-40873-0041 |

| CKTS | MATERIAL NUMBER | ENG NUMBER | CKTS | MATERIAL NUMBER | ENG NUMBER |
|------|-----------------|------------|------|-----------------|------------|
| 02   | 22-28-9020      | 42377-0142 | 20   | 22-28-9200      | 42377-0160 |
| 03   | 22-28-9030      | 42377-0143 | 21   | 22-28-9210      | 42377-0161 |
| 04   | 22-28-9040      | 42377-0144 | 22   | 22-28-9220      | 42377-0162 |
| 05   | 22-28-9050      | 42377-0145 | 23   | 22-28-9230      | 42377-0163 |
| 06   | 22-28-9060      | 42377-0146 | 24   | 22-28-9240      | 42377-0164 |
| 07   | 22-28-9070      | 42377-0147 | 25   | 22-28-9250      | 42377-0165 |
| 08   | 22-28-9080      | 42377-0148 | 26   | 22-28-9260      | 42377-0166 |
| 09   | 22-28-9090      | 42377-0149 | 27   | 22-28-9270      | 42377-0167 |
| 10   | 22-28-9100      | 42377-0150 | 28   | 22-28-9280      | 42377-0168 |
| 11   | 22-28-9110      | 42377-0151 | 29   | 22-28-9290      | 42377-0169 |
| 12   | 22-28-9120      | 42377-0152 | 30   | 22-28-9300      | 42377-0170 |
| 13   | 22-28-9130      | 42377-0153 | 31   | 22-28-9310      | 42377-0171 |
| 14   | 22-28-9140      | 42377-0154 | 32   | 22-28-9320      | 42377-0172 |
| 15   | 22-28-9150      | 42377-0155 | 33   | 22-28-9330      | 42377-0173 |
| 16   | 22-28-9160      | 42377-0156 | 34   | 22-28-9340      | 42377-0174 |
| 17   | 22-28-9170      | 42377-0157 | 35   | 22-28-9350      | 42377-0175 |
| 18   | 22-28-9180      | 42377-0158 | 36   | 22-28-9360      | 42377-0176 |
| 19   | 22-28-9190      | 42377-0159 |      |                 |            |

|                       |                    |
|-----------------------|--------------------|
| ✓ A-42377-0177 / 0211 |                    |
| HEADER NUMBER:        | 42312-0036         |
| PIN NUMBER:           | 42663-BXA154       |
| PIN LENGTH: L         | .645/16.38         |
| MATING LENGTH: M      | .324/8.23          |
| GOLD POINT: G         | N/A                |
| PIN HEIGHT: Y         | .070/1.78          |
| PC TAIL LENGTH: P     | .135/3.43          |
| TIN: T                | OVERALL            |
| CKTS:                 | 2-36               |
| KINKS:                | PER SMES-42003     |
| REMOVED BACKWALLS:    | NONE               |
| VOIDED CKTS:          | NONE               |
| PACKAGING:            | BULK PK-40873-0041 |

| CKTS | MATERIAL NUMBER | ENG NUMBER | CKTS | MATERIAL NUMBER | ENG NUMBER |
|------|-----------------|------------|------|-----------------|------------|
| 02   | 22-28-9021      | 42377-0177 | 20   | 22-28-9201      | 42377-0195 |
| 03   | 22-28-9031      | 42377-0178 | 21   | 22-28-9211      | 42377-0196 |
| 04   | 22-28-9041      | 42377-0179 | 22   | 22-28-9221      | 42377-0197 |
| 05   | 22-28-9051      | 42377-0180 | 23   | 22-28-9231      | 42377-0198 |
| 06   | 22-28-9061      | 42377-0181 | 24   | 22-28-9241      | 42377-0199 |
| 07   | 22-28-9071      | 42377-0182 | 25   | 22-28-9251      | 42377-0200 |
| 08   | 22-28-9081      | 42377-0183 | 26   | 22-28-9261      | 42377-0201 |
| 09   | 22-28-9091      | 42377-0184 | 27   | 22-28-9271      | 42377-0202 |
| 10   | 22-28-9101      | 42377-0185 | 28   | 22-28-9281      | 42377-0203 |
| 11   | 22-28-9111      | 42377-0186 | 29   | 22-28-9291      | 42377-0204 |
| 12   | 22-28-9121      | 42377-0187 | 30   | 22-28-9301      | 42377-0205 |
| 13   | 22-28-9131      | 42377-0188 | 31   | 22-28-9311      | 42377-0206 |
| 14   | 22-28-9141      | 42377-0189 | 32   | 22-28-9321      | 42377-0207 |
| 15   | 22-28-9151      | 42377-0190 | 33   | 22-28-9331      | 42377-0208 |
| 16   | 22-28-9161      | 42377-0191 | 34   | 22-28-9341      | 42377-0209 |
| 17   | 22-28-9171      | 42377-0192 | 35   | 22-28-9351      | 42377-0210 |
| 18   | 22-28-9181      | 42377-0193 | 36   | 22-28-9361      | 42377-0211 |
| 19   | 22-28-9191      | 42377-0194 |      |                 |            |

|                  |  |  |                           |
|------------------|--|--|---------------------------|
| REV:<br><b>Y</b> | ECM INFORMATION:<br>ECM No: <b>107985</b><br>DATE: <b>10/29/2021</b> | TITLE:<br><b>KK 100 HEADER ASSEMBLY<br/>FLAT RIGHT ANGLE<br/>BREAKAWAY</b> | SHEET No.<br><b>- 4 -</b> |
|------------------|--|--|---------------------------|

|  |  |                               |                               |
|--|--|-------------------------------|-------------------------------|
| DOCUMENT NUMBER:<br><b>SD- 42377-001</b> | CREATED / REVISED BY:<br><b>BAPPELDORN</b> | CHECKED BY:<br><b>MKIPPER</b> | APPROVED BY:<br><b>FSMITH</b> |
|--|--|-------------------------------|-------------------------------|

| ✓ A-42377-0212/0246 |                    |            |      |                 |            |
|---------------------|--------------------|------------|------|-----------------|------------|
| HEADER NUMBER:      | 42312-0036         |            |      |                 |            |
| PIN NUMBER:         | 42663-BCB208       |            |      |                 |            |
| PIN LENGTH: L       | .565/14.35         |            |      |                 |            |
| MATING LENGTH: M    | .244/6.20          |            |      |                 |            |
| GOLD POINT: G       | .100/2.54          |            |      |                 |            |
| PIN HEIGHT: Y       | .070/1.78          |            |      |                 |            |
| PC TAIL LENGTH: P   | .135/3.43          |            |      |                 |            |
| TIN: T              | .135/3.43          |            |      |                 |            |
| CKTS:               | 2-36               |            |      |                 |            |
| KINKS:              | PER SMES-42003     |            |      |                 |            |
| REMOVED BACKWALLS:  | NONE               |            |      |                 |            |
| VOIDED CKTS:        | NONE               |            |      |                 |            |
| PACKAGING:          | BULK PK-40873-0041 |            |      |                 |            |
| CKTS                | MATERIAL NUMBER    | ENG NUMBER | CKTS | MATERIAL NUMBER | ENG NUMBER |
| 02                  | 22-28-9022         | 42377-0212 | 20   | 22-28-9202      | 42377-0230 |
| 03                  | 22-28-9032         | 42377-0213 | 21   | 22-28-9212      | 42377-0231 |
| 04                  | 22-28-9042         | 42377-0214 | 22   | 22-28-9222      | 42377-0232 |
| 05                  | 22-28-9052         | 42377-0215 | 23   | 22-28-9232      | 42377-0233 |
| 06                  | 22-28-9062         | 42377-0216 | 24   | 22-28-9242      | 42377-0234 |
| 07                  | 22-28-9072         | 42377-0217 | 25   | 22-28-9252      | 42377-0235 |
| 08                  | 22-28-9082         | 42377-0218 | 26   | 22-28-9262      | 42377-0236 |
| 09                  | 22-28-9092         | 42377-0219 | 27   | 22-28-9272      | 42377-0237 |
| 10                  | 22-28-9102         | 42377-0220 | 28   | 22-28-9282      | 42377-0238 |
| 11                  | 22-28-9112         | 42377-0221 | 29   | 22-28-9292      | 42377-0239 |
| 12                  | 22-28-9122         | 42377-0222 | 30   | 22-28-9302      | 42377-0240 |
| 13                  | 22-28-9132         | 42377-0223 | 31   | 22-28-9312      | 42377-0241 |
| 14                  | 22-28-9142         | 42377-0224 | 32   | 22-28-9322      | 42377-0242 |
| 15                  | 22-28-9152         | 42377-0225 | 33   | 22-28-9332      | 42377-0243 |
| 16                  | 22-28-9162         | 42377-0226 | 34   | 22-28-9342      | 42377-0244 |
| 17                  | 22-28-9172         | 42377-0227 | 35   | 22-28-9352      | 42377-0245 |
| 18                  | 22-28-9182         | 42377-0228 | 36   | 22-28-9362      | 42377-0246 |
| 19                  | 22-28-9192         | 42377-0229 |      |                 |            |

| ✓ A-42377-0247-0281 |                    |            |      |                 |            |
|---------------------|--------------------|------------|------|-----------------|------------|
| HEADER NUMBER:      | 42312-0036         |            |      |                 |            |
| PIN NUMBER:         | 42663-BXB208       |            |      |                 |            |
| PIN LENGTH: L       | .645/16.38         |            |      |                 |            |
| MATING LENGTH: M    | .324/8.23          |            |      |                 |            |
| GOLD POINT: G       | .140/3.56          |            |      |                 |            |
| PIN HEIGHT: Y       | .070/1.78          |            |      |                 |            |
| PC TAIL LENGTH: P   | .135/3.43          |            |      |                 |            |
| TIN: T              | .135/3.43          |            |      |                 |            |
| CKTS:               | 2-36               |            |      |                 |            |
| KINKS:              | PER SMES-42003     |            |      |                 |            |
| REMOVED BACKWALLS:  | NONE               |            |      |                 |            |
| VOIDED CKTS:        | NONE               |            |      |                 |            |
| PACKAGING:          | BULK PK-40873-0041 |            |      |                 |            |
| CKTS                | MATERIAL NUMBER    | ENG NUMBER | CKTS | MATERIAL NUMBER | ENG NUMBER |
| 02                  | 22-28-9023         | 42377-0247 | 20   | 22-28-9203      | 42377-0265 |
| 03                  | 22-28-9033         | 42377-0248 | 21   | 22-28-9213      | 42377-0266 |
| 04                  | 22-28-9043         | 42377-0249 | 22   | 22-28-9223      | 42377-0267 |
| 05                  | 22-28-9053         | 42377-0250 | 23   | 22-28-9233      | 42377-0268 |
| 06                  | 22-28-9063         | 42377-0251 | 24   | 22-28-9243      | 42377-0269 |
| 07                  | 22-28-9073         | 42377-0252 | 25   | 22-28-9253      | 42377-0270 |
| 08                  | 22-28-9083         | 42377-0253 | 26   | 22-28-9263      | 42377-0271 |
| 09                  | 22-28-9093         | 42377-0254 | 27   | 22-28-9273      | 42377-0272 |
| 10                  | 22-28-9103         | 42377-0255 | 28   | 22-28-9283      | 42377-0273 |
| 11                  | 22-28-9113         | 42377-0256 | 29   | 22-28-9293      | 42377-0274 |
| 12                  | 22-28-9123         | 42377-0257 | 30   | 22-28-9303      | 42377-0275 |
| 13                  | 22-28-9133         | 42377-0258 | 31   | 22-28-9313      | 42377-0276 |
| 14                  | 22-28-9143         | 42377-0259 | 32   | 22-28-9323      | 42377-0277 |
| 15                  | 22-28-9153         | 42377-0260 | 33   | 22-28-9333      | 42377-0278 |
| 16                  | 22-28-9163         | 42377-0261 | 34   | 22-28-9343      | 42377-0279 |
| 17                  | 22-28-9173         | 42377-0262 | 35   | 22-28-9353      | 42377-0280 |
| 18                  | 22-28-9183         | 42377-0263 | 36   | 22-28-9363      | 42377-0281 |
| 19                  | 22-28-9193         | 42377-0264 |      |                 |            |

|  |  |  |                               |
|--|--|--|-------------------------------|
| REV:<br><b>Y</b>                         | ECM INFORMATION:<br>ECM No: <b>107985</b><br>DATE: <b>10/29/2021</b> | TITLE:<br><b>KK 100 HEADER ASSEMBLY<br/>FLAT RIGHT ANGLE<br/>BREAKAWAY</b> | SHEET No.<br><b>- 5 -</b>     |
| DOCUMENT NUMBER:<br><b>SD- 42377-001</b> | CREATED / REVISED BY:<br><b>BAPPELDORN</b>                           | CHECKED BY:<br><b>MKIPPER</b>  | APPROVED BY:<br><b>FSMITH</b> |



✓ A-42377-0282 / 0316

|                    |                    |
|--------------------|--------------------|
| HEADER NUMBER:     | 42312-0036         |
| PIN NUMBER:        | 42663-AZB228       |
| PIN LENGTH: L      | .550/13.97         |
| MATING LENGTH: M   | .244/6.20          |
| GOLD POINT: G      | .140/3.56          |
| PIN HEIGHT: Y      | .070/1.78          |
| PC TAIL LENGTH: P  | .120/3.05          |
| TIN: T             | .135/3.43          |
| CKTS:              | 2-36               |
| KINKS:             | NONE               |
| REMOVED BACKWALLS: | NONE               |
| VOIDED CKTS:       | NONE               |
| PACKAGING:         | BULK PK-40873-0041 |

| CKTS | MATERIAL NUMBER | ENG NUMBER | CKTS | MATERIAL NUMBER | ENG NUMBER |
|------|-----------------|------------|------|-----------------|------------|
| 02   | 22-28-8024      | 42377-0282 | 20   | 22-28-8204      | 42377-0300 |
| 03   | 22-28-8034      | 42377-0283 | 21   | 22-28-8214      | 42377-0301 |
| 04   | 22-28-8044      | 42377-0284 | 22   | 22-28-8224      | 42377-0302 |
| 05   | 22-28-8054      | 42377-0285 | 23   | 22-28-8234      | 42377-0303 |
| 06   | 22-28-8064      | 42377-0286 | 24   | 22-28-8244      | 42377-0304 |
| 07   | 22-28-8074      | 42377-0287 | 25   | 22-28-8254      | 42377-0305 |
| 08   | 22-28-8084      | 42377-0288 | 26   | 22-28-8264      | 42377-0306 |
| 09   | 22-28-8094      | 42377-0289 | 27   | 22-28-8274      | 42377-0307 |
| 10   | 22-28-8104      | 42377-0290 | 28   | 22-28-8284      | 42377-0308 |
| 11   | 22-28-8114      | 42377-0291 | 29   | 22-28-8294      | 42377-0309 |
| 12   | 22-28-8124      | 42377-0292 | 30   | 22-28-8304      | 42377-0310 |
| 13   | 22-28-8134      | 42377-0293 | 31   | 22-28-8314      | 42377-0311 |
| 14   | 22-28-8144      | 42377-0294 | 32   | 22-28-8324      | 42377-0312 |
| 15   | 22-28-8154      | 42377-0295 | 33   | 22-28-8334      | 42377-0313 |
| 16   | 22-28-8164      | 42377-0296 | 34   | 22-28-8344      | 42377-0314 |
| 17   | 22-28-8174      | 42377-0297 | 35   | 22-28-8354      | 42377-0315 |
| 18   | 22-28-8184      | 42377-0298 | 36   | 22-28-8364      | 42377-0316 |
| 19   | 22-28-8194      | 42377-0299 |      |                 |            |

✓ A-42377-0317 / 0351

|                    |                    |
|--------------------|--------------------|
| HEADER NUMBER:     | 42312-0036         |
| PIN NUMBER:        | 42663-BSB228       |
| PIN LENGTH: L      | .630/16.00         |
| MATING LENGTH: M   | .324/8.23          |
| GOLD POINT: G      | .140/3.56          |
| PIN HEIGHT: Y      | .070/1.78          |
| PC TAIL LENGTH: P  | .120/3.05          |
| TIN: T             | .135/3.43          |
| CKTS:              | 2-36               |
| KINKS:             | NONE               |
| REMOVED BACKWALLS: | NONE               |
| VOIDED CKTS:       | NONE               |
| PACKAGING:         | BULK PK-40873-0041 |

| CKTS | MATERIAL NUMBER | ENG NUMBER | CKTS | MATERIAL NUMBER | ENG NUMBER |
|------|-----------------|------------|------|-----------------|------------|
| 02   | 22-28-8025      | 42377-0317 | 20   | 22-28-8205      | 42377-0335 |
| 03   | 22-28-8035      | 42377-0318 | 21   | 22-28-8215      | 42377-0336 |
| 04   | 22-28-8045      | 42377-0319 | 22   | 22-28-8225      | 42377-0337 |
| 05   | 22-28-8055      | 42377-0320 | 23   | 22-28-8235      | 42377-0338 |
| 06   | 22-28-8065      | 42377-0321 | 24   | 22-28-8245      | 42377-0339 |
| 07   | 22-28-8075      | 42377-0322 | 25   | 22-28-8255      | 42377-0340 |
| 08   | 22-28-8085      | 42377-0323 | 26   | 22-28-8265      | 42377-0341 |
| 09   | 22-28-8095      | 42377-0324 | 27   | 22-28-8275      | 42377-0342 |
| 10   | 22-28-8105      | 42377-0325 | 28   | 22-28-8285      | 42377-0343 |
| 11   | 22-28-8115      | 42377-0326 | 29   | 22-28-8295      | 42377-0344 |
| 12   | 22-28-8125      | 42377-0327 | 30   | 22-28-8305      | 42377-0345 |
| 13   | 22-28-8135      | 42377-0328 | 31   | 22-28-8315      | 42377-0346 |
| 14   | 22-28-8145      | 42377-0329 | 32   | 22-28-8325      | 42377-0347 |
| 15   | 22-28-8155      | 42377-0330 | 33   | 22-28-8335      | 42377-0348 |
| 16   | 22-28-8165      | 42377-0331 | 34   | 22-28-8345      | 42377-0349 |
| 17   | 22-28-8175      | 42377-0332 | 35   | 22-28-8355      | 42377-0350 |
| 18   | 22-28-8185      | 42377-0333 | 36   | 22-28-8365      | 42377-0351 |
| 19   | 22-28-8195      | 42377-0334 |      |                 |            |

|                  |  |  |                           |
|------------------|--|--|---------------------------|
| REV:<br><b>Y</b> | ECM INFORMATION:<br>ECM No: <b>107985</b><br>DATE: <b>10/29/2021</b> | TITLE:<br><b>KK 100 HEADER ASSEMBLY<br/>FLAT RIGHT ANGLE<br/>BREAKAWAY</b> | SHEET No.<br><b>- 6 -</b> |
|------------------|--|--|---------------------------|

|  |  |                               |                               |
|--|--|-------------------------------|-------------------------------|
| DOCUMENT NUMBER:<br><b>SD- 42377-001</b> | CREATED / REVISED BY:<br><b>BAPPELDORN</b> | CHECKED BY:<br><b>MKIPPER</b> | APPROVED BY:<br><b>FSMITH</b> |
|--|--|-------------------------------|-------------------------------|



| ✓ A-42377-0352/0386 |                    |            |      |                 |            |
|---------------------|--------------------|------------|------|-----------------|------------|
| HEADER NUMBER:      | 42312-0036         |            |      |                 |            |
| PIN NUMBER:         | 42663-BCB228       |            |      |                 |            |
| PIN LENGTH: L       | .565/14.35         |            |      |                 |            |
| MATING LENGTH: M    | .244/6.20          |            |      |                 |            |
| GOLD POINT: G       | .100/2.54          |            |      |                 |            |
| PIN HEIGHT: Y       | .070/1.78          |            |      |                 |            |
| PC TAIL LENGTH: P   | .135/3.43          |            |      |                 |            |
| TIN: T              | .135/3.43          |            |      |                 |            |
| CKTS:               | 2-36               |            |      |                 |            |
| KINKS:              | PER SMES-42003     |            |      |                 |            |
| REMOVED BACKWALLS:  | NONE               |            |      |                 |            |
| VOIDED CKTS:        | NONE               |            |      |                 |            |
| PACKAGING:          | BULK PK-40873-0041 |            |      |                 |            |
| CKTS                | MATERIAL NUMBER    | ENG NUMBER | CKTS | MATERIAL NUMBER | ENG NUMBER |
| 02                  | 22-28-9024         | 42377-0352 | 20   | 22-28-9204      | 42377-0370 |
| 03                  | 22-28-9034         | 42377-0353 | 21   | 22-28-9214      | 42377-0371 |
| 04                  | 22-28-9044         | 42377-0354 | 22   | 22-28-9224      | 42377-0372 |
| 05                  | 22-28-9054         | 42377-0355 | 23   | 22-28-9234      | 42377-0373 |
| 06                  | 22-28-9064         | 42377-0356 | 24   | 22-28-9244      | 42377-0374 |
| 07                  | 22-28-9074         | 42377-0357 | 25   | 22-28-9254      | 42377-0375 |
| 08                  | 22-28-9084         | 42377-0358 | 26   | 22-28-9264      | 42377-0376 |
| 09                  | 22-28-9094         | 42377-0359 | 27   | 22-28-9274      | 42377-0377 |
| 10                  | 22-28-9104         | 42377-0360 | 28   | 22-28-9284      | 42377-0378 |
| 11                  | 22-28-9114         | 42377-0361 | 29   | 22-28-9294      | 42377-0379 |
| 12                  | 22-28-9124         | 42377-0362 | 30   | 22-28-9304      | 42377-0380 |
| 13                  | 22-28-9134         | 42377-0363 | 31   | 22-28-9314      | 42377-0381 |
| 14                  | 22-28-9144         | 42377-0364 | 32   | 22-28-9324      | 42377-0382 |
| 15                  | 22-28-9154         | 42377-0365 | 33   | 22-28-9334      | 42377-0383 |
| 16                  | 22-28-9164         | 42377-0366 | 34   | 22-28-9344      | 42377-0384 |
| 17                  | 22-28-9174         | 42377-0367 | 35   | 22-28-9354      | 42377-0385 |
| 18                  | 22-28-9184         | 42377-0368 | 36   | 22-28-9364      | 42377-0386 |
| 19                  | 22-28-9194         | 42377-0369 |      |                 |            |

| ✓ A-42377-0387/0421 |                    |            |      |                 |            |
|---------------------|--------------------|------------|------|-----------------|------------|
| HEADER NUMBER:      | 42312-0036         |            |      |                 |            |
| PIN NUMBER:         | 42663-BXB228       |            |      |                 |            |
| PIN LENGTH: L       | .645/16.38         |            |      |                 |            |
| MATING LENGTH: M    | .324/8.23          |            |      |                 |            |
| GOLD POINT: G       | .140/3.56          |            |      |                 |            |
| PIN HEIGHT: Y       | .070/1.78          |            |      |                 |            |
| PC TAIL LENGTH: P   | .135/3.43          |            |      |                 |            |
| TIN: T              | .135/3.43          |            |      |                 |            |
| CKTS:               | 2-36               |            |      |                 |            |
| KINKS:              | PER SMES-42003     |            |      |                 |            |
| REMOVED BACKWALLS:  | NONE               |            |      |                 |            |
| VOIDED CKTS:        | NONE               |            |      |                 |            |
| PACKAGING:          | BULK PK-40873-0041 |            |      |                 |            |
| CKTS                | MATERIAL NUMBER    | ENG NUMBER | CKTS | MATERIAL NUMBER | ENG NUMBER |
| 02                  | 22-28-9025         | 42377-0387 | 20   | 22-28-9205      | 42377-0405 |
| 03                  | 22-28-9035         | 42377-0388 | 21   | 22-28-9215      | 42377-0406 |
| 04                  | 22-28-9045         | 42377-0389 | 22   | 22-28-9225      | 42377-0407 |
| 05                  | 22-28-9055         | 42377-0390 | 23   | 22-28-9235      | 42377-0408 |
| 06                  | 22-28-9065         | 42377-0391 | 24   | 22-28-9245      | 42377-0409 |
| 07                  | 22-28-9075         | 42377-0392 | 25   | 22-28-9255      | 42377-0410 |
| 08                  | 22-28-9085         | 42377-0393 | 26   | 22-28-9265      | 42377-0411 |
| 09                  | 22-28-9095         | 42377-0394 | 27   | 22-28-9275      | 42377-0412 |
| 10                  | 22-28-9105         | 42377-0395 | 28   | 22-28-9285      | 42377-0413 |
| 11                  | 22-28-9115         | 42377-0396 | 29   | 22-28-9295      | 42377-0414 |
| 12                  | 22-28-9125         | 42377-0397 | 30   | 22-28-9305      | 42377-0415 |
| 13                  | 22-28-9135         | 42377-0398 | 31   | 22-28-9315      | 42377-0416 |
| 14                  | 22-28-9145         | 42377-0399 | 32   | 22-28-9325      | 42377-0417 |
| 15                  | 22-28-9155         | 42377-0400 | 33   | 22-28-9335      | 42377-0418 |
| 16                  | 22-28-9165         | 42377-0401 | 34   | 22-28-9345      | 42377-0419 |
| 17                  | 22-28-9175         | 42377-0402 | 35   | 22-28-9355      | 42377-0420 |
| 18                  | 22-28-9185         | 42377-0403 | 36   | 22-28-9365      | 42377-0421 |
| 19                  | 22-28-9195         | 42377-0404 |      |                 |            |

|  |  |  |                               |
|--|--|--|-------------------------------|
| REV:<br><b>Y</b>                         | ECM INFORMATION:<br>ECM No: <b>107985</b><br>DATE: <b>10/29/2021</b> | TITLE:<br><b>KK 100 HEADER ASSEMBLY<br/>FLAT RIGHT ANGLE<br/>BREAKAWAY</b> | SHEET No.<br><b>- 7 -</b>     |
| DOCUMENT NUMBER:<br><b>SD- 42377-001</b> | CREATED / REVISED BY:<br><b>BAPPELDORN</b>                           | CHECKED BY:<br><b>MKIPPER</b>  | APPROVED BY:<br><b>FSMITH</b> |

✓ A-42377-0504

| HEADER NUMBER:     | 42312-0036         |              |      |                 |            |
|--------------------|--------------------|--------------|------|-----------------|------------|
| PIN NUMBER:        | 42663-ABA154       |              |      |                 |            |
| PIN LENGTH: L      | .455/11.56         |              |      |                 |            |
| MATING LENGTH: M   | .149/3.78          |              |      |                 |            |
| GOLD POINT: G      | N/A                |              |      |                 |            |
| PIN HEIGHT: Y      | .070/1.78          |              |      |                 |            |
| PC TAIL LENGTH: P  | .120/3.05          |              |      |                 |            |
| TIN: T             | OVERALL            |              |      |                 |            |
| CKTS:              | 2-36               |              |      |                 |            |
| KINKS:             | NONE               |              |      |                 |            |
| REMOVED BACKWALLS: | NONE               |              |      |                 |            |
| VOIDED CKTS:       | NONE               |              |      |                 |            |
| PACKAGING:         | BULK PK-40873-0041 |              |      |                 |            |
| CKTS               | MATERIAL NUMBER    | ENG NUMBER   | CKTS | MATERIAL NUMBER | ENG NUMBER |
| 02                 |                    |              | 20   |                 |            |
| 03                 |                    |              | 21   |                 |            |
| 04                 |                    |              | 22   |                 |            |
| 05                 |                    |              | 23   |                 |            |
| 06                 |                    |              | 24   |                 |            |
| 07                 |                    |              | 25   |                 |            |
| 08                 |                    |              | 26   |                 |            |
| 09                 |                    |              | 27   |                 |            |
| 10                 |                    |              | 28   |                 |            |
| 11                 |                    |              | 29   |                 |            |
| 12                 |                    |              | 30   |                 |            |
| 13                 |                    |              | 31   |                 |            |
| 14                 | 22-28-9148         | A-42377-0504 | 32   |                 |            |
| 15                 |                    |              | 33   |                 |            |
| 16                 |                    |              | 34   |                 |            |
| 17                 |                    |              | 35   |                 |            |
| 18                 |                    |              | 36   |                 |            |
| 19                 |                    |              |      |                 |            |

|  |  |  |                               |
|--|--|--|-------------------------------|
| REV:<br><b>Y</b>                         | ECM INFORMATION:<br>ECM No: <b>107985</b><br>DATE: <b>10/29/2021</b> | TITLE:<br><b>KK 100 HEADER ASSEMBLY<br/>FLAT RIGHT ANGLE<br/>BREAKAWAY</b> | SHEET No.<br><b>- 8 -</b>     |
| DOCUMENT NUMBER:<br><b>SD- 42377-001</b> | CREATED / REVISED BY:<br><b>BAPPELDORN</b>                           | CHECKED BY:<br><b>MKIPPER</b>  | APPROVED BY:<br><b>FSMITH</b> |





✓ A-42377-0693 / 0726

|                    |                    |      |                 |
|--------------------|--------------------|------|-----------------|
| HEADER NUMBER:     | 42312-0036         |      |                 |
| PIN NUMBER:        | 42663-BCA154       |      |                 |
| PIN LENGTH: L      | .565/14.35         |      |                 |
| MATING LENGTH: M   | .244/6.20          |      |                 |
| GOLD POINT: G      | N/A                |      |                 |
| PIN HEIGHT: Y      | .070/1.78          |      |                 |
| PC TAIL LENGTH: P  | .135/3.43          |      |                 |
| TIN: T             | OVERALL            |      |                 |
| CKTS:              | 3-36               |      |                 |
| KINKS:             | PER SMES-42003     |      |                 |
| REMOVED BACKWALLS: | NO                 |      |                 |
| VOIDED CKTS:       | 2                  |      |                 |
| PACKAGING:         | BULK PK-40873-0041 |      |                 |
| CKTS               | MATERIAL NUMBER    | CKTS | MATERIAL NUMBER |
| 02                 |                    | 20   | 42377-0710      |
| 03                 | 42377-0693         | 21   | 42377-0711      |
| 04                 | 42377-0694         | 22   | 42377-0712      |
| 05                 | 42377-0695         | 23   | 42377-0713      |
| 06                 | 42377-0696         | 24   | 42377-0714      |
| 07                 | 42377-0697         | 25   | 42377-0715      |
| 08                 | 42377-0698         | 26   | 42377-0716      |
| 09                 | 42377-0699         | 27   | 42377-0717      |
| 10                 | 42377-0700         | 28   | 42377-0718      |
| 11                 | 42377-0701         | 29   | 42377-0719      |
| 12                 | 42377-0702         | 30   | 42377-0720      |
| 13                 | 42377-0703         | 31   | 42377-0721      |
| 14                 | 42377-0704         | 32   | 42377-0727      |
| 15                 | 42377-0705         | 33   | 42377-0723      |
| 16                 | 42377-0706         | 34   | 42377-0724      |
| 17                 | 42377-0707         | 35   | 42377-0725      |
| 18                 | 42377-0708         | 36   | 42377-0726      |
| 19                 | 42377-0709         |      |                 |

✓ A-42377-0779 / 0813

|                    |                    |      |                 |
|--------------------|--------------------|------|-----------------|
| HEADER NUMBER:     | 42312-0036         |      |                 |
| PIN NUMBER:        | 42663-ANA154       |      |                 |
| PIN LENGTH: L      | .510/12.95         |      |                 |
| MATING LENGTH: M   | .134/3.40          |      |                 |
| GOLD POINT: G      | N/A                |      |                 |
| PIN HEIGHT: Y      | .060/1.52          |      |                 |
| PC TAIL LENGTH: P  | .200/5.08          |      |                 |
| TIN: T             | OVERALL            |      |                 |
| CKTS:              | 2-36               |      |                 |
| KINKS:             | NONE               |      |                 |
| REMOVED BACKWALLS: | NONE               |      |                 |
| VOIDED CKTS:       | NONE               |      |                 |
| PACKAGING:         | BULK PK-40873-0041 |      |                 |
| CKTS               | MATERIAL NUMBER    | CKTS | MATERIAL NUMBER |
| 02                 | 42377-0779         | 20   | 42377-0797      |
| 03                 | 42377-0780         | 21   | 42377-0798      |
| 04                 | 42377-0781         | 22   | 42377-0799      |
| 05                 | 42377-0782         | 23   | 42377-0800      |
| 06                 | 42377-0783         | 24   | 42377-0801      |
| 07                 | 42377-0784         | 25   | 42377-0802      |
| 08                 | 42377-0785         | 26   | 42377-0803      |
| 09                 | 42377-0786         | 27   | 42377-0804      |
| 10                 | 42377-0787         | 28   | 42377-0805      |
| 11                 | 42377-0788         | 29   | 42377-0806      |
| 12                 | 42377-0789         | 30   | 42377-0807      |
| 13                 | 42377-0790         | 31   | 42377-0808      |
| 14                 | 42377-0791         | 32   | 42377-0809      |
| 15                 | 42377-0792         | 33   | 42377-0810      |
| 16                 | 42377-0793         | 34   | 42377-0811      |
| 17                 | 42377-0794         | 35   | 42377-0812      |
| 18                 | 42377-0795         | 36   | 42377-0813      |
| 19                 | 42377-0796         |      |                 |

|  |  |  |                               |
|--|--|--|-------------------------------|
| REV:<br><b>Y</b>                         | ECM INFORMATION:<br>ECM No: <b>107985</b><br>DATE: <b>10/29/2021</b> | TITLE:<br><b>KK 100 HEADER ASSEMBLY<br/>FLAT RIGHT ANGLE<br/>BREAKAWAY</b> | SHEET No.<br><b>- 9 -</b>     |
| DOCUMENT NUMBER:<br><b>SD- 42377-001</b> | CREATED / REVISED BY:<br><b>BAPPELDORN</b>                           | CHECKED BY:<br><b>MKIPPER</b>  | APPROVED BY:<br><b>FSMITH</b> |

| ✓ A-42377-0864 / 0898 |                    |      |                 |
|-----------------------|--------------------|------|-----------------|
| HEADER NUMBER:        | 42312-0036         |      |                 |
| PIN NUMBER:           | 42663-BXA154       |      |                 |
| PIN LENGTH: L         | .645/16.38         |      |                 |
| MATING LENGTH: M      | .324/8.28          |      |                 |
| GOLD POINT: G         | N/A                |      |                 |
| PIN HEIGHT: Y         | .070/1.78          |      |                 |
| PC TAIL LENGTH: P     | .135/3.43          |      |                 |
| TIN: T                | OVERALL            |      |                 |
| CKTS:                 | 2-36               |      |                 |
| KINKS:                | NONE               |      |                 |
| REMOVED BACKWALLS:    | NONE               |      |                 |
| VOIDED CKTS:          | NONE               |      |                 |
| PACKAGING:            | BULK PK-40873-0041 |      |                 |
| CKTS                  | MATERIAL NUMBER    | CKTS | MATERIAL NUMBER |
| 02                    | 42377-0864         | 20   | 42377-0882      |
| 03                    | 42377-0865         | 21   | 42377-0883      |
| 04                    | 42377-0866         | 22   | 42377-0884      |
| 05                    | 42377-0867         | 23   | 42377-0885      |
| 06                    | 42377-0868         | 24   | 42377-0886      |
| 07                    | 42377-0869         | 25   | 42377-0887      |
| 08                    | 42377-0870         | 26   | 42377-0888      |
| 09                    | 42377-0871         | 27   | 42377-0889      |
| 10                    | 42377-0872         | 28   | 42377-0890      |
| 11                    | 42377-0873         | 29   | 42377-0891      |
| 12                    | 42377-0874         | 30   | 42377-0892      |
| 13                    | 42377-0875         | 31   | 42377-0893      |
| 14                    | 42377-0876         | 32   | 42377-0894      |
| 15                    | 42377-0877         | 33   | 42377-0895      |
| 16                    | 42377-0878         | 34   | 42377-0896      |
| 17                    | 42377-0879         | 35   | 42377-0897      |
| 18                    | 42377-0880         | 36   | 42377-0898      |
| 19                    | 42377-0881         |      |                 |

| ✓ A-42377-0899/ 0927 |                    |      |                 |
|----------------------|--------------------|------|-----------------|
| HEADER NUMBER:       | 42312-0036         |      |                 |
| PIN NUMBER:          | 42663-BXB208       |      |                 |
| PIN LENGTH: L        | .645/16.38         |      |                 |
| MATING LENGTH: M     | .324/8.28          |      |                 |
| GOLD POINT: G        | .140/3.56          |      |                 |
| PIN HEIGHT: Y        | .070/1.78          |      |                 |
| PC TAIL LENGTH: P    | .135/3.43          |      |                 |
| TIN: T               | .135/3.43          |      |                 |
| CKTS:                | 8-36               |      |                 |
| KINKS:               | PER SMES-42003     |      |                 |
| REMOVED BACKWALLS:   | NONE               |      |                 |
| VOIDED CKTS:         | 2,3,4,6,7,8        |      |                 |
| PACKAGING:           | BULK PK-40873-0041 |      |                 |
| CKTS                 | MATERIAL NUMBER    | CKTS | MATERIAL NUMBER |
| 02                   |                    | 20   | 42377-0911      |
| 03                   |                    | 21   | 42377-0912      |
| 04                   |                    | 22   | 42377-0913      |
| 05                   |                    | 23   | 42377-0914      |
| 06                   |                    | 24   | 42377-0915      |
| 07                   |                    | 25   | 42377-0916      |
| 08                   | 42377-0899         | 26   | 42377-0917      |
| 09                   | 42377-0900         | 27   | 42377-0918      |
| 10                   | 42377-0901         | 28   | 42377-0919      |
| 11                   | 42377-0902         | 29   | 42377-0920      |
| 12                   | 42377-0903         | 30   | 42377-0921      |
| 13                   | 42377-0904         | 31   | 42377-0922      |
| 14                   | 42377-0905         | 32   | 42377-0923      |
| 15                   | 42377-0906         | 33   | 42377-0924      |
| 16                   | 42377-0907         | 34   | 42377-0925      |
| 17                   | 42377-0908         | 35   | 42377-0926      |
| 18                   | 42377-0909         | 36   | 42377-0927      |
| 19                   | 42377-0910         |      |                 |

|  |  |  |                               |
|--|--|--|-------------------------------|
| REV:<br><b>Y</b>                         | ECM INFORMATION:<br>ECM No: <b>107985</b><br>DATE: <b>10/29/2021</b> | TITLE:<br><b>KK 100 HEADER ASSEMBLY<br/>FLAT RIGHT ANGLE<br/>BREAKAWAY</b> | SHEET No.<br><b>- 10 -</b>    |
| DOCUMENT NUMBER:<br><b>SD- 42377-001</b> | CREATED / REVISED BY:<br><b>BAPPELDORN</b>                           | CHECKED BY:<br><b>MKIPPER</b>  | APPROVED BY:<br><b>FSMITH</b> |

| ✓ A-42377-0928 / 0962 |                    |      |                 |
|-----------------------|--------------------|------|-----------------|
| HEADER NUMBER:        | 42312-0036         |      |                 |
| PIN NUMBER:           | 42663-DHB208       |      |                 |
| PIN LENGTH: L         | .800/20.32         |      |                 |
| MATING LENGTH: M      | .317/8.05          |      |                 |
| GOLD POINT: G         | .180/4.57          |      |                 |
| PIN HEIGHT: Y         | .070/1.78          |      |                 |
| PC TAIL LENGTH: P     | .290/7.37          |      |                 |
| TIN: T                | .135/3.43          |      |                 |
| CKTS:                 | 2-36               |      |                 |
| KINKS:                | NONE               |      |                 |
| REMOVED BACKWALLS:    | NONE               |      |                 |
| VOIDED CKTS:          | NONE               |      |                 |
| PACKAGING:            | BULK PK-40873-0043 |      |                 |
| CKTS                  | MATERIAL NUMBER    | CKTS | MATERIAL NUMBER |
| 02                    | 42377-0928         | 20   | 42377-0946      |
| 03                    | 42377-0929         | 21   | 42377-0947      |
| 04                    | 42377-0930         | 22   | 42377-0948      |
| 05                    | 42377-0931         | 23   | 42377-0949      |
| 06                    | 42377-0932         | 24   | 42377-0950      |
| 07                    | 42377-0933         | 25   | 42377-0951      |
| 08                    | 42377-0934         | 26   | 42377-0952      |
| 09                    | 42377-0935         | 27   | 42377-0953      |
| 10                    | 42377-0936         | 28   | 42377-0954      |
| 11                    | 42377-0937         | 29   | 42377-0955      |
| 12                    | 42377-0938         | 30   | 42377-0956      |
| 13                    | 42377-0939         | 31   | 42377-0957      |
| 14                    | 42377-0940         | 32   | 42377-0958      |
| 15                    | 42377-0941         | 33   | 42377-0959      |
| 16                    | 42377-0942         | 34   | 42377-0960      |
| 17                    | 42377-0943         | 35   | 42377-0961      |
| 18                    | 42377-0944         | 36   | 42377-0962      |
| 19                    | 42377-0945         |      |                 |

| ✓ A-42377-0963/ 0997 |                    |      |                 |
|----------------------|--------------------|------|-----------------|
| HEADER NUMBER:       | 42312-0036         |      |                 |
| PIN NUMBER:          | 42663-ABA154       |      |                 |
| PIN LENGTH: L        | .455/11.56         |      |                 |
| MATING LENGTH: M     | .140/3.56          |      |                 |
| GOLD POINT: G        | N/A                |      |                 |
| PIN HEIGHT: Y        | .050/1.27          |      |                 |
| PC TAIL LENGTH: P    | .145/3.68          |      |                 |
| TIN: T               | OVERALL            |      |                 |
| CKTS:                | 2-36               |      |                 |
| KINKS:               | NONE               |      |                 |
| REMOVED BACKWALLS:   | NONE               |      |                 |
| VOIDED CKTS:         | NONE               |      |                 |
| PACKAGING:           | BULK PK-40873-0041 |      |                 |
| CKTS                 | MATERIAL NUMBER    | CKTS | MATERIAL NUMBER |
| 02                   | 42377-0963         | 20   | 42377-0981      |
| 03                   | 42377-0964         | 21   | 42377-0982      |
| 04                   | 42377-0965         | 22   | 42377-0983      |
| 05                   | 42377-0966         | 23   | 42377-0984      |
| 06                   | 42377-0967         | 24   | 42377-0985      |
| 07                   | 42377-0968         | 25   | 42377-0986      |
| 08                   | 42377-0969         | 26   | 42377-0987      |
| 09                   | 42377-0970         | 27   | 42377-0988      |
| 10                   | 42377-0971         | 28   | 42377-0989      |
| 11                   | 42377-0972         | 29   | 42377-0990      |
| 12                   | 42377-0973         | 30   | 42377-0991      |
| 13                   | 42377-0974         | 31   | 42377-0992      |
| 14                   | 42377-0975         | 32   | 42377-0993      |
| 15                   | 42377-0976         | 33   | 42377-0994      |
| 16                   | 42377-0977         | 34   | 42377-0995      |
| 17                   | 42377-0978         | 35   | 42377-0996      |
| 18                   | 42377-0979         | 36   | 42377-0997      |
| 19                   | 42377-0980         |      |                 |

|  |  |  |                               |
|--|--|--|-------------------------------|
| REV:<br><b>Y</b>                         | ECM INFORMATION:<br>ECM No: <b>107985</b><br>DATE: <b>10/29/2021</b> | TITLE:<br><b>KK 100 HEADER ASSEMBLY<br/>FLAT RIGHT ANGLE<br/>BREAKAWAY</b> | SHEET No.<br><b>- 11 -</b>    |
| DOCUMENT NUMBER:<br><b>SD- 42377-001</b> | CREATED / REVISED BY:<br><b>BAPPELDORN</b>                           | CHECKED BY:<br><b>MKIPPER</b>  | APPROVED BY:<br><b>FSMITH</b> |

| ✓ A-42377-0998 / 1031 |                    |      |                 |
|-----------------------|--------------------|------|-----------------|
| HEADER NUMBER:        | 42312-0036         |      |                 |
| PIN NUMBER:           | 42663-ABA154       |      |                 |
| PIN LENGTH: L         | .455/11.56         |      |                 |
| MATING LENGTH: M      | .140/3.56          |      |                 |
| GOLD POINT: G         | N/A                |      |                 |
| PIN HEIGHT: Y         | .050/1.27          |      |                 |
| PC TAIL LENGTH: P     | .145/3.68          |      |                 |
| TIN: T                | OVERALL            |      |                 |
| CKTS:                 | 3-36               |      |                 |
| KINKS:                | NONE               |      |                 |
| REMOVED BACKWALLS:    | NONE               |      |                 |
| VOIDED CKTS:          | 3                  |      |                 |
| PACKAGING:            | BULK PK-40873-0041 |      |                 |
| CKTS                  | MATERIAL NUMBER    | CKTS | MATERIAL NUMBER |
| 02                    |                    | 20   | 42377-1015      |
| 03                    | 42377-0998         | 21   | 42377-1016      |
| 04                    | 42377-0999         | 22   | 42377-1017      |
| 05                    | 42377-1000         | 23   | 42377-1018      |
| 06                    | 42377-1001         | 24   | 42377-1019      |
| 07                    | 42377-1002         | 25   | 42377-1020      |
| 08                    | 42377-1003         | 26   | 42377-1021      |
| 09                    | 42377-1004         | 27   | 42377-1022      |
| 10                    | 42377-1005         | 28   | 42377-1023      |
| 11                    | 42377-1006         | 29   | 42377-1024      |
| 12                    | 42377-1007         | 30   | 42377-1025      |
| 13                    | 42377-1008         | 31   | 42377-1026      |
| 14                    | 42377-1009         | 32   | 42377-1027      |
| 15                    | 42377-1010         | 33   | 42377-1028      |
| 16                    | 42377-1011         | 34   | 42377-1029      |
| 17                    | 42377-1012         | 35   | 42377-1030      |
| 18                    | 42377-1013         | 36   | 42377-1031      |
| 19                    | 42377-1014         |      |                 |

| ✓ A-42377-1032/ 1066 |                    |      |                 |
|----------------------|--------------------|------|-----------------|
| HEADER NUMBER:       | 42312-0036         |      |                 |
| PIN NUMBER:          | 42663-BYB208       |      |                 |
| PIN LENGTH: L        | .650/16.51         |      |                 |
| MATING LENGTH: M     | .394/10.01         |      |                 |
| GOLD POINT: G        | .200/5.08          |      |                 |
| PIN HEIGHT: Y        | .050/1.27          |      |                 |
| PC TAIL LENGTH: P    | .089/2.26          |      |                 |
| TIN: T               | .200/5.08          |      |                 |
| CKTS:                | 2-36               |      |                 |
| KINKS:               | NONE               |      |                 |
| REMOVED BACKWALLS:   | NONE               |      |                 |
| VOIDED CKTS:         | NONE               |      |                 |
| PACKAGING:           | BULK PK-40873-0041 |      |                 |
| CKTS                 | MATERIAL NUMBER    | CKTS | MATERIAL NUMBER |
| 02                   | 42377-1032         | 20   | 42377-1050      |
| 03                   | 42377-1033         | 21   | 42377-1051      |
| 04                   | 42377-1034         | 22   | 42377-1052      |
| 05                   | 42377-1035         | 23   | 42377-1053      |
| 06                   | 42377-1036         | 24   | 42377-1054      |
| 07                   | 42377-1037         | 25   | 42377-1055      |
| 08                   | 42377-1038         | 26   | 42377-1056      |
| 09                   | 42377-1039         | 27   | 42377-1057      |
| 10                   | 42377-1040         | 28   | 42377-1058      |
| 11                   | 42377-1041         | 29   | 42377-1059      |
| 12                   | 42377-1042         | 30   | 42377-1060      |
| 13                   | 42377-1043         | 31   | 42377-1061      |
| 14                   | 42377-1044         | 32   | 42377-1062      |
| 15                   | 42377-1045         | 33   | 42377-1063      |
| 16                   | 42377-1046         | 34   | 42377-1064      |
| 17                   | 42377-1047         | 35   | 42377-1065      |
| 18                   | 42377-1048         | 36   | 42377-1066      |
| 19                   | 42377-1049         |      |                 |

|  |  |  |                               |
|--|--|--|-------------------------------|
| REV:<br><b>Y</b>                         | ECM INFORMATION:<br>ECM No: <b>107985</b><br>DATE: <b>10/29/2021</b> | TITLE:<br><b>KK 100 HEADER ASSEMBLY<br/>FLAT RIGHT ANGLE<br/>BREAKAWAY</b> | SHEET No.<br><b>- 12 -</b>    |
| DOCUMENT NUMBER:<br><b>SD- 42377-001</b> | CREATED / REVISED BY:<br><b>BAPPELDORN</b>                           | CHECKED BY:<br><b>MKIPPER</b>  | APPROVED BY:<br><b>FSMITH</b> |



| A-42377-1101/1130  |                 |                    |                 |
|--------------------|-----------------|--------------------|-----------------|
| HEADER NUMBER:     |                 | 42312-0036         |                 |
| PIN NUMBER:        |                 | 42663-BSA154       |                 |
| PIN LENGTH: L      |                 | .630/16.00         |                 |
| MATING LENGTH: M   |                 | .324/8.23          |                 |
| GOLD POINT: G      |                 | N/A                |                 |
| PIN HEIGHT: Y      |                 | .070/1.78          |                 |
| PC TAIL LENGTH: P  |                 | .120/3.05          |                 |
| TIN: T             |                 | OVERALL            |                 |
| CKTS:              |                 | 2-36               |                 |
| KINKS:             |                 | NONE               |                 |
| REMOVED BACKWALLS: |                 | NONE               |                 |
| VOIDED CKTS:       |                 | 7                  |                 |
| PACKAGING:         |                 | BULK PK-40873-0041 |                 |
| CKTS               | MATERIAL NUMBER | CKTS               | MATERIAL NUMBER |
| 02                 |                 | 20                 | 42377-1114      |
| 03                 |                 | 21                 | 42377-1115      |
| 04                 |                 | 22                 | 42377-1116      |
| 05                 |                 | 23                 | 42377-1117      |
| 06                 |                 | 24                 | 42377-1118      |
| 07                 | 42377-1101      | 25                 | 42377-1119      |
| 08                 | 42377-1102      | 26                 | 42377-1120      |
| 09                 | 42377-1103      | 27                 | 42377-1121      |
| 10                 | 42377-1104      | 28                 | 42377-1122      |
| 11                 | 42377-1105      | 29                 | 42377-1123      |
| 12                 | 42377-1106      | 30                 | 42377-1124      |
| 13                 | 42377-1107      | 31                 | 42377-1125      |
| 14                 | 42377-1108      | 32                 | 42377-1126      |
| 15                 | 42377-1109      | 33                 | 42377-1127      |
| 16                 | 42377-1110      | 34                 | 42377-1128      |
| 17                 | 42377-1111      | 35                 | 42377-1129      |
| 18                 | 42377-1112      | 36                 | 42377-1130      |
| 19                 | 42377-1113      |                    |                 |

| A-42377-1131/1165  |                 |                    |                 |
|--------------------|-----------------|--------------------|-----------------|
| HEADER NUMBER:     |                 | 42312-0036         |                 |
| PIN NUMBER:        |                 | 42663-ARB208       |                 |
| PIN LENGTH: L      |                 | .520/13.21         |                 |
| MATING LENGTH: M   |                 | .230/5.84          |                 |
| GOLD POINT: G      |                 | .140/3.56          |                 |
| PIN HEIGHT: Y      |                 | .070/1.78          |                 |
| PC TAIL LENGTH: P  |                 | .093/2.36          |                 |
| TIN: T             |                 | .135/3.43          |                 |
| CKTS:              |                 | 2-36               |                 |
| KINKS:             |                 | NONE               |                 |
| REMOVED BACKWALLS: |                 | NONE               |                 |
| VOIDED CKTS:       |                 | NONE               |                 |
| PACKAGING:         |                 | BULK PK-40873-0041 |                 |
| CKTS               | MATERIAL NUMBER | CKTS               | MATERIAL NUMBER |
| 02                 | 42377-1131      | 20                 | 42377-1149      |
| 03                 | 42377-1132      | 21                 | 42377-1150      |
| 04                 | 42377-1133      | 22                 | 42377-1151      |
| 05                 | 42377-1134      | 23                 | 42377-1152      |
| 06                 | 42377-1135      | 24                 | 42377-1153      |
| 07                 | 42377-1136      | 25                 | 42377-1154      |
| 08                 | 42377-1137      | 26                 | 42377-1155      |
| 09                 | 42377-1138      | 27                 | 42377-1156      |
| 10                 | 42377-1139      | 28                 | 42377-1157      |
| 11                 | 42377-1140      | 29                 | 42377-1158      |
| 12                 | 42377-1141      | 30                 | 42377-1159      |
| 13                 | 42377-1142      | 31                 | 42377-1160      |
| 14                 | 42377-1143      | 32                 | 42377-1161      |
| 15                 | 42377-1144      | 33                 | 42377-1162      |
| 16                 | 42377-1145      | 34                 | 42377-1163      |
| 17                 | 42377-1146      | 35                 | 42377-1164      |
| 18                 | 42377-1147      | 36                 | 42377-1165      |
| 19                 | 42377-1148      |                    |                 |

|  |  |  |                               |
|--|--|--|-------------------------------|
| REV:<br><b>Y</b>                         | ECM INFORMATION:<br>ECM No: <b>107985</b><br>DATE: <b>10/29/2021</b> | TITLE:<br><b>KK 100 HEADER ASSEMBLY<br/>FLAT RIGHT ANGLE<br/>BREAKAWAY</b> | SHEET No.<br><b>- 13 -</b>    |
| DOCUMENT NUMBER:<br><b>SD- 42377-001</b> |  | CREATED / REVISED BY:<br><b>BAPPELDORN</b>                                 | CHECKED BY:<br><b>MKIPPER</b> |
|  |  | APPROVED BY:<br><b>FSMITH</b>  |                               |



| A-42377-1166/1200  |                 |                    |                 |
|--------------------|-----------------|--------------------|-----------------|
| HEADER NUMBER:     |                 | 42312-0036         |                 |
| PIN NUMBER:        |                 | 42663-BKA154       |                 |
| PIN LENGTH: L      |                 | .600/15.24         |                 |
| MATING LENGTH: M   |                 | .320/8.13          |                 |
| GOLD POINT: G      |                 | N/A                |                 |
| PIN HEIGHT: Y      |                 | .070/1.78          |                 |
| PC TAIL LENGTH: P  |                 | .093/2.36          |                 |
| TIN: T             |                 | OVERALL            |                 |
| CKTS:              |                 | 2-36               |                 |
| KINKS:             |                 | NONE               |                 |
| REMOVED BACKWALLS: |                 | NONE               |                 |
| VOIDED CKTS:       |                 | NONE               |                 |
| PACKAGING:         |                 | BULK PK-40873-0041 |                 |
| CKTS               | MATERIAL NUMBER | CKTS               | MATERIAL NUMBER |
| 02                 | 42377-1166      | 20                 | 42377-1184      |
| 03                 | 42377-1167      | 21                 | 42377-1185      |
| 04                 | 42377-1168      | 22                 | 42377-1186      |
| 05                 | 42377-1169      | 23                 | 42377-1187      |
| 06                 | 42377-1170      | 24                 | 42377-1188      |
| 07                 | 42377-1171      | 25                 | 42377-1189      |
| 08                 | 42377-1172      | 26                 | 42377-1190      |
| 09                 | 42377-1173      | 27                 | 42377-1191      |
| 10                 | 42377-1174      | 28                 | 42377-1192      |
| 11                 | 42377-1175      | 29                 | 42377-1193      |
| 12                 | 42377-1176      | 30                 | 42377-1194      |
| 13                 | 42377-1177      | 31                 | 42377-1195      |
| 14                 | 42377-1178      | 32                 | 42377-1196      |
| 15                 | 42377-1179      | 33                 | 42377-1197      |
| 16                 | 42377-1180      | 34                 | 42377-1198      |
| 17                 | 42377-1181      | 35                 | 42377-1199      |
| 18                 | 42377-1182      | 36                 | 42377-1200      |
| 19                 | 42377-1183      |                    |                 |

| A-42377-1201/1234  |                 |                    |                 |
|--------------------|-----------------|--------------------|-----------------|
| HEADER NUMBER:     |                 | 42312-0036         |                 |
| PIN NUMBER:        |                 | 42663-BKA154       |                 |
| PIN LENGTH: L      |                 | .600/15.24         |                 |
| MATING LENGTH: M   |                 | .320/8.13          |                 |
| GOLD POINT: G      |                 | N/A                |                 |
| PIN HEIGHT: Y      |                 | .070/1.78          |                 |
| PC TAIL LENGTH: P  |                 | .093/2.36          |                 |
| TIN: T             |                 | OVERALL            |                 |
| CKTS:              |                 | 3-36               |                 |
| KINKS:             |                 | NONE               |                 |
| REMOVED BACKWALLS: |                 | NONE               |                 |
| VOIDED CKTS:       |                 | 2                  |                 |
| PACKAGING:         |                 | BULK PK-40873-0041 |                 |
| CKTS               | MATERIAL NUMBER | CKTS               | MATERIAL NUMBER |
| 02                 |                 | 20                 | 42377-1218      |
| 03                 | 42377-1201      | 21                 | 42377-1219      |
| 04                 | 42377-1202      | 22                 | 42377-1220      |
| 05                 | 42377-1203      | 23                 | 42377-1221      |
| 06                 | 42377-1204      | 24                 | 42377-1222      |
| 07                 | 42377-1205      | 25                 | 42377-1223      |
| 08                 | 42377-1206      | 26                 | 42377-1224      |
| 09                 | 42377-1207      | 27                 | 42377-1225      |
| 10                 | 42377-1208      | 28                 | 42377-1226      |
| 11                 | 42377-1209      | 29                 | 42377-1227      |
| 12                 | 42377-1210      | 30                 | 42377-1228      |
| 13                 | 42377-1211      | 31                 | 42377-1229      |
| 14                 | 42377-1212      | 32                 | 42377-1230      |
| 15                 | 42377-1213      | 33                 | 42377-1231      |
| 16                 | 42377-1214      | 34                 | 42377-1232      |
| 17                 | 42377-1215      | 35                 | 42377-1233      |
| 18                 | 42377-1216      | 36                 | 42377-1234      |
| 19                 | 42377-1217      |                    |                 |

|  |  |  |                               |
|--|--|--|-------------------------------|
| REV:<br><b>Y</b>                         | ECM INFORMATION:<br>ECM No: <b>107985</b><br>DATE: <b>10/29/2021</b> | TITLE:<br><b>KK 100 HEADER ASSEMBLY<br/>FLAT RIGHT ANGLE<br/>BREAKAWAY</b> | SHEET No.<br><b>- 14 -</b>    |
| DOCUMENT NUMBER:<br><b>SD- 42377-001</b> | CREATED / REVISED BY:<br><b>BAPPELDORN</b>                           | CHECKED BY:<br><b>MKIPPER</b>  | APPROVED BY:<br><b>FSMITH</b> |



A-42377-1067/1100

|                    |                    |      |                 |
|--------------------|--------------------|------|-----------------|
| HEADER NUMBER:     | 42312-0036         |      |                 |
| PIN NUMBER:        | 42663-ATB208       |      |                 |
| PIN LENGTH: L      | .530 / 13.46       |      |                 |
| MATING LENGTH: M   | .244 / 6.20        |      |                 |
| GOLD POINT: G      | .140 / 3.56        |      |                 |
| PIN HEIGHT: Y      | .050 / 1.27        |      |                 |
| PC TAIL LENGTH: P  | .120 / 3.05        |      |                 |
| TIN: T             | .135 / 3.43        |      |                 |
| CKTS:              | 3-36               |      |                 |
| KINKS:             | NONE               |      |                 |
| REMOVED BACKWALLS: | NONE               |      |                 |
| VOIDED CKTS:       | 3                  |      |                 |
| PACKAGING:         | BULK PK-40873-0041 |      |                 |
| CKTS               | MATERIAL NUMBER    | CKTS | MATERIAL NUMBER |
| 02                 |                    | 20   |                 |
| 03                 |                    | 21   |                 |
| 04                 |                    | 22   |                 |
| 05                 |                    | 23   |                 |
| 06                 |                    | 24   |                 |
| 07                 |                    | 25   |                 |
| 08                 |                    | 26   |                 |
| 09                 |                    | 27   |                 |
| 10                 |                    | 28   |                 |
| 11                 | 42377-1075         | 29   |                 |
| 12                 |                    | 30   |                 |
| 13                 |                    | 31   |                 |
| 14                 |                    | 32   |                 |
| 15                 |                    | 33   |                 |
| 16                 |                    | 34   |                 |
| 17                 |                    | 35   |                 |
| 18                 |                    | 36   |                 |
| 19                 |                    |      |                 |

A-42377-1235/1269

|                    |                    |      |                 |
|--------------------|--------------------|------|-----------------|
| HEADER NUMBER:     | 42312-0036         |      |                 |
| PIN NUMBER:        | 42663-BXB228       |      |                 |
| PIN LENGTH: L      | .645/16.48         |      |                 |
| MATING LENGTH: M   | .324/8.23          |      |                 |
| GOLD POINT: G      | .140/3.56          |      |                 |
| PIN HEIGHT: Y      | .070/1.78          |      |                 |
| PC TAIL LENGTH: P  | .135/3.43          |      |                 |
| TIN: T             | .135/3.43          |      |                 |
| CKTS:              | 2-36               |      |                 |
| KINKS:             | NONE               |      |                 |
| REMOVED BACKWALLS: | NONE               |      |                 |
| VOIDED CKTS:       | NONE               |      |                 |
| PACKAGING:         | BULK PK-40873-0041 |      |                 |
| CKTS               | MATERIAL NUMBER    | CKTS | MATERIAL NUMBER |
| 02                 | 42377-1235         | 20   |                 |
| 03                 |                    | 21   |                 |
| 04                 |                    | 22   |                 |
| 05                 |                    | 23   |                 |
| 06                 |                    | 24   |                 |
| 07                 |                    | 25   |                 |
| 08                 |                    | 26   |                 |
| 09                 |                    | 27   |                 |
| 10                 |                    | 28   |                 |
| 11                 |                    | 29   |                 |
| 12                 |                    | 30   |                 |
| 13                 |                    | 31   |                 |
| 14                 |                    | 32   |                 |
| 15                 |                    | 33   |                 |
| 16                 |                    | 34   |                 |
| 17                 |                    | 35   |                 |
| 18                 |                    | 36   |                 |
| 19                 |                    |      |                 |

|  |  |  |                               |
|--|--|--|-------------------------------|
| REV:<br><b>Y</b>                         | ECM INFORMATION:<br>ECM No: <b>107985</b><br>DATE: <b>10/29/2021</b> | TITLE:<br><b>KK 100 HEADER ASSEMBLY<br/>FLAT RIGHT ANGLE<br/>BREAKAWAY</b> | SHEET No.<br><b>- 15 -</b>    |
| DOCUMENT NUMBER:<br><b>SD- 42377-001</b> | CREATED / REVISED BY:<br><b>BAPPELDORN</b>                           | CHECKED BY:<br><b>MKIPPER</b>  | APPROVED BY:<br><b>FSMITH</b> |



| A-42377-1270 / 1304      |                 |  |                 |
|--------------------------|-----------------|--|-----------------|
| HEADER NUMBER:           |                 | 42312-0036                                   |                 |
| PIN NUMBER:              |                 | 42663-BHA154                                 |                 |
| PIN LENGTH: L            |                 | .590 / 14.99                                 |                 |
| MATING LENGTH: M         |                 | .343 / 8.71                                  |                 |
| GOLD POINT: G            |                 | N/A  |                 |
| PIN HEIGHT: Y            |                 | .070 / 1.78                                  |                 |
| <b>PC TAIL LENGTH: P</b> |                 | <b>.055 +/- .025</b><br><b>1.40 +/- 0.64</b> |                 |
| TIN: T                   |                 | OVERALL                                      |                 |
| CKTS:                    |                 | 2-36   |                 |
| KINKS:                   |                 | NONE   |                 |
| REMOVED BACKWALLS:       |                 | NONE   |                 |
| VOIDED CKTS:             |                 | 2  |                 |
| PACKAGING:               |                 | BULK PK-40873-0041                           |                 |
| CKTS                     | MATERIAL NUMBER | CKTS   | MATERIAL NUMBER |
| 02                       |                 | 20   |                 |
| 03                       | 42377-1271      | 21   |                 |
| 04                       |                 | 22   |                 |
| 05                       |                 | 23   |                 |
| 06                       |                 | 24   |                 |
| 07                       |                 | 25   |                 |
| 08                       |                 | 26   |                 |
| 09                       |                 | 27   |                 |
| 10                       |                 | 28   |                 |
| 11                       |                 | 29   |                 |
| 12                       |                 | 30   |                 |
| 13                       |                 | 31   |                 |
| 14                       |                 | 32   |                 |
| 15                       |                 | 33   |                 |
| 16                       |                 | 34   |                 |
| 17                       |                 | 35   |                 |
| 18                       |                 | 36   |                 |
| 19                       |                 |  |                 |

| ✓ A-42377-1305/1339 |                 |                    |                 |
|---------------------|-----------------|--------------------|-----------------|
| HEADER NUMBER:      |                 | 42312-0036         |                 |
| PIN NUMBER:         |                 | 42663-BYA154       |                 |
| PIN LENGTH: L       |                 | .650/16.51         |                 |
| MATING LENGTH: M    |                 | .394/10.01         |                 |
| GOLD POINT: G       |                 | N/A                |                 |
| PIN HEIGHT: Y       |                 | .050/1.27          |                 |
| PC TAIL LENGTH: P   |                 | .089/2.26          |                 |
| TIN: T              |                 | OVERALL            |                 |
| CKTS:               |                 | 2-36               |                 |
| KINKS:              |                 | NONE               |                 |
| REMOVED BACKWALLS:  |                 | NONE               |                 |
| VOIDED CKTS:        |                 | NONE               |                 |
| PACKAGING:          |                 | BULK PK-40873-0041 |                 |
| CKTS                | MATERIAL NUMBER | CKTS               | MATERIAL NUMBER |
| 02                  | 42377-1305      | 20                 |                 |
| 03                  |                 | 21                 |                 |
| 04                  |                 | 22                 |                 |
| 05                  |                 | 23                 |                 |
| 06                  | 42377-1309      | 24                 |                 |
| 07                  |                 | 25                 |                 |
| 08                  |                 | 26                 |                 |
| 09                  |                 | 27                 |                 |
| 10                  |                 | 28                 |                 |
| 11                  |                 | 29                 |                 |
| 12                  |                 | 30                 |                 |
| 13                  |                 | 31                 |                 |
| 14                  |                 | 32                 |                 |
| 15                  |                 | 33                 |                 |
| 16                  |                 | 34                 |                 |
| 17                  |                 | 35                 |                 |
| 18                  |                 | 36                 |                 |
| 19                  |                 |                    |                 |

|  |  |  |                               |
|--|--|--|-------------------------------|
| REV:<br><b>Y</b>                         | ECM INFORMATION:<br>ECM No: <b>107985</b><br>DATE: <b>10/29/2021</b> | TITLE:<br><b>KK 100 HEADER ASSEMBLY<br/>FLAT RIGHT ANGLE<br/>BREAKAWAY</b> | SHEET No.<br><b>- 16 -</b>    |
| DOCUMENT NUMBER:<br><b>SD- 42377-001</b> | CREATED / REVISED BY:<br><b>BAPPELDORN</b>                           | CHECKED BY:<br><b>MKIPPER</b>  | APPROVED BY:<br><b>FSMITH</b> |



| ✓ A-42377-1340/1358 |                 |  |                 |
|---------------------|-----------------|--|-----------------|
| HEADER NUMBER:      |                 | 42312-0036                               |                 |
| PIN NUMBER:         |                 | 42663-AFB208                             |                 |
| PIN LENGTH: L       |                 | .475/12.07                               |                 |
| MATING LENGTH: M    |                 | .195/4.95                                |                 |
| GOLD POINT: G       |                 | .150/3.81                                |                 |
| PIN HEIGHT: Y       |                 | .058/1.47                                |                 |
| PC TAIL LENGTH: P   |                 | .093/2.36                                |                 |
| TIN: T              |                 | .100/2.54                                |                 |
| CKTS:               |                 | 18-36                                    |                 |
| KINKS:              |                 | NONE                                     |                 |
| REMOVED BACKWALLS:  |                 | NONE                                     |                 |
| VOIDED CKTS:        |                 | 2, 4, 5, 6, 7, 9, 11, 12, 13, 14, 16, 18 |                 |
| PACKAGING:          |                 | BULK PK-40873-0041                       |                 |
| CKTS                | MATERIAL NUMBER | CKTS                                     | MATERIAL NUMBER |
|                     |                 | 20                                       |                 |
|                     |                 | 21                                       |                 |
|                     |                 | 22                                       |                 |
|                     |                 | 23                                       |                 |
|                     |                 | 24                                       |                 |
|                     |                 | 25                                       |                 |
|                     |                 | 26                                       |                 |
|                     |                 | 27                                       |                 |
|                     |                 | 28                                       |                 |
|                     |                 | 29                                       |                 |
|                     |                 | 30                                       |                 |
|                     |                 | 31                                       |                 |
|                     |                 | 32                                       |                 |
|                     |                 | 33                                       |                 |
|                     |                 | 34                                       |                 |
|                     |                 | 35                                       |                 |
| 18                  |                 | 36                                       |                 |
| 19                  | 42377-1341      |  |                 |

| ✓ A-42377-1359/1393 |                 |                    |                 |
|---------------------|-----------------|--------------------|-----------------|
| HEADER NUMBER:      |                 | 42312-0036         |                 |
| PIN NUMBER:         |                 | 42663-CJA154       |                 |
| PIN LENGTH: L       |                 | .700 / 17.78       |                 |
| MATING LENGTH: M    |                 | .394/10.01         |                 |
| GOLD POINT: G       |                 | N/A                |                 |
| PIN HEIGHT: Y       |                 | .050/1.27          |                 |
| PC TAIL LENGTH: P   |                 | .135 / 3.43        |                 |
| TIN: T              |                 | OVERALL            |                 |
| CKTS:               |                 | 2-36               |                 |
| KINKS:              |                 | PER SMES-42003     |                 |
| REMOVED BACKWALLS:  |                 | NONE               |                 |
| VOIDED CKTS:        |                 | NONE               |                 |
| PACKAGING:          |                 | BULK PK-40873-0041 |                 |
| CKTS                | MATERIAL NUMBER | CKTS               | MATERIAL NUMBER |
| 02                  | 42377-1359      | 20                 |                 |
| 03                  |                 | 21                 |                 |
| 04                  |                 | 22                 |                 |
| 05                  |                 | 23                 |                 |
| 06                  | 42377-1363      | 24                 |                 |
| 07                  |                 | 25                 |                 |
| 08                  |                 | 26                 |                 |
| 09                  |                 | 27                 |                 |
| 10                  |                 | 28                 |                 |
| 11                  |                 | 29                 |                 |
| 12                  |                 | 30                 |                 |
| 13                  |                 | 31                 |                 |
| 14                  |                 | 32                 |                 |
| 15                  |                 | 33                 |                 |
| 16                  |                 | 34                 |                 |
| 17                  |                 | 35                 |                 |
| 18                  |                 | 36                 |                 |
| 19                  |                 |                    |                 |

|  |  |  |                               |
|--|--|--|-------------------------------|
| REV:<br><b>Y</b>                         | ECM INFORMATION:<br>ECM No: <b>107985</b><br>DATE: <b>10/29/2021</b> | TITLE:<br><b>KK 100 HEADER ASSEMBLY<br/>FLAT RIGHT ANGLE<br/>BREAKAWAY</b> | SHEET No.<br><b>- 17 -</b>    |
| DOCUMENT NUMBER:<br><b>SD- 42377-001</b> |  | CREATED / REVISED BY:<br><b>BAPPELDORN</b>                                 | CHECKED BY:<br><b>MKIPPER</b> |
|  |  | APPROVED BY:<br><b>FSMITH</b>  |                               |

| ✓ A-42377-1394/1428 |                    |      |                 |
|---------------------|--------------------|------|-----------------|
| HEADER NUMBER:      | 42312-0036         |      |                 |
| PIN NUMBER:         | 42663-CJA154       |      |                 |
| PIN LENGTH: L       | .700 / 17.78       |      |                 |
| MATING LENGTH: M    | .394/10.01         |      |                 |
| GOLD POINT: G       | N/A                |      |                 |
| PIN HEIGHT: Y       | .050/1.27          |      |                 |
| PC TAIL LENGTH: P   | .135 / 3.43        |      |                 |
| TIN: T              | OVERALL            |      |                 |
| CKTS:               | 2-36               |      |                 |
| KINKS:              | NONE               |      |                 |
| REMOVED BACKWALLS:  | NONE               |      |                 |
| VOIDED CKTS:        | NONE               |      |                 |
| PACKAGING:          | BULK PK-40873-0041 |      |                 |
| CKTS                | MATERIAL NUMBER    | CKTS | MATERIAL NUMBER |
| 02                  | 42377-1394         | 20   |                 |
| 03                  |                    | 21   |                 |
| 04                  |                    | 22   |                 |
| 05                  |                    | 23   |                 |
| 06                  |                    | 24   |                 |
| 07                  |                    | 25   |                 |
| 08                  |                    | 26   |                 |
| 09                  |                    | 27   |                 |
| 10                  |                    | 28   |                 |
| 11                  |                    | 29   |                 |
| 12                  |                    | 30   |                 |
| 13                  |                    | 31   |                 |
| 14                  |                    | 32   |                 |
| 15                  |                    | 33   |                 |
| 16                  |                    | 34   |                 |
| 17                  |                    | 35   |                 |
| 18                  |                    | 36   |                 |
| 19                  |                    |      |                 |

| ✓ A-42377-1429     |                    |      |                 |
|--------------------|--------------------|------|-----------------|
| HEADER NUMBER:     | 42312-0036         |      |                 |
| PIN NUMBER:        | 42663-ECA154       |      |                 |
| PIN LENGTH: L      | .880 / 22.35       |      |                 |
| MATING LENGTH: M   | .600/15.24         |      |                 |
| GOLD POINT: G      | N/A                |      |                 |
| PIN HEIGHT: Y      | .050/1.27          |      |                 |
| PC TAIL LENGTH: P  | .116 / 2.95        |      |                 |
| TIN: T             | OVERALL            |      |                 |
| CKTS:              | 5-36               |      |                 |
| KINKS:             | NONE               |      |                 |
| REMOVED BACKWALLS: | NONE               |      |                 |
| VOIDED CKTS:       | 2,3,4              |      |                 |
| PACKAGING:         | BULK PK-40873-0041 |      |                 |
| CKTS               | MATERIAL NUMBER    | CKTS | MATERIAL NUMBER |
|                    |                    | 20   |                 |
|                    |                    | 21   |                 |
|                    |                    | 22   |                 |
| 05                 | 42377-1429         | 23   |                 |
| 06                 |                    | 24   |                 |
| 07                 |                    | 25   |                 |
| 08                 |                    | 26   |                 |
| 09                 |                    | 27   |                 |
| 10                 |                    | 28   |                 |
| 11                 |                    | 29   |                 |
| 12                 |                    | 30   |                 |
| 13                 |                    | 31   |                 |
| 14                 |                    | 32   |                 |
| 15                 |                    | 33   |                 |
| 16                 |                    | 34   |                 |
| 17                 |                    | 35   |                 |
| 18                 |                    | 36   |                 |
| 19                 |                    |      |                 |

|  |  |  |                               |
|--|--|--|-------------------------------|
| REV:<br><b>Y</b>                         | ECM INFORMATION:<br>ECM No: <b>107985</b><br>DATE: <b>10/29/2021</b> | TITLE:<br><b>KK 100 HEADER ASSEMBLY<br/>FLAT RIGHT ANGLE<br/>BREAKAWAY</b> | SHEET No.<br><b>- 18 -</b>    |
| DOCUMENT NUMBER:<br><b>SD- 42377-001</b> | CREATED / REVISED BY:<br><b>BAPPELDORN</b>                           | CHECKED BY:<br><b>MKIPPER</b>  | APPROVED BY:<br><b>FSMITH</b> |