



**ANATECH ELECTRONICS INC**  
RF & Microwave Filters & Products

# 70 MHz LC Bandpass Filter

**Part Number: AE70B10147**



## Electrical Specifications

**Center Frequency:** 70 MHz  
**Bandwidth:** 4 MHz  
**Passband :** 68.4 MHz to 72.4 MHz  
**Insertion Loss:** ≤ 4.0dB @ 70 MHz  
**Return Loss:** >14dB @ 68.4 MHz to 72.4 MHz  
**Rejection:** >40dB @ 0-67 MHz  
**Rejection2:** >45dB @ 75 MHz to 1000 MHz  
**Impedance:** 50 Ohms

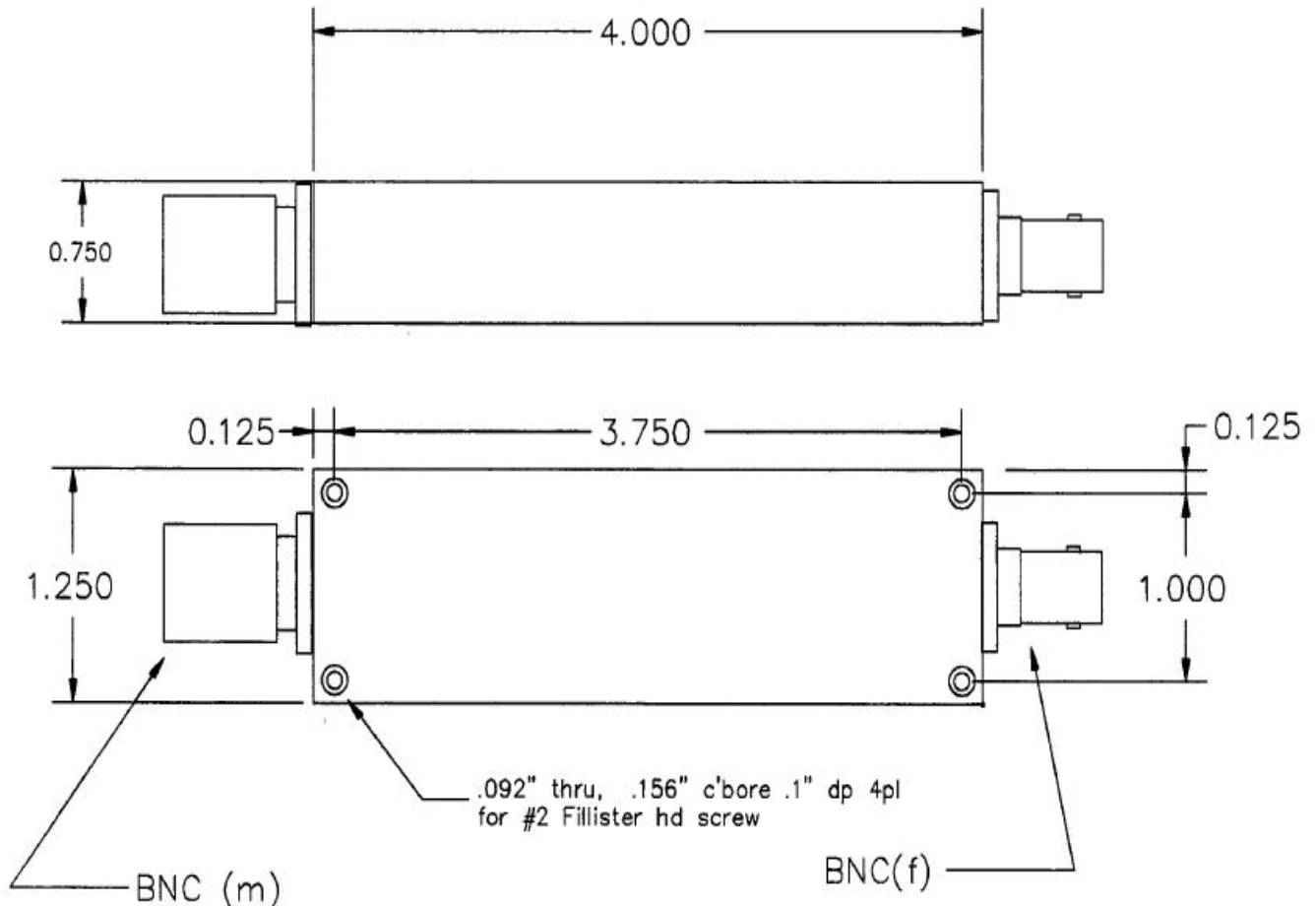
## Mechanical

**Mounting Method:** Through Holes  
**Connector Type:** BNC(M) & BNC(F)  
**Dimensions:** 4.0" x 1.25" x 0.75" in.

## Environmental

**Operating Temperature:** -25°C to +70°C  
**Storage Temperature:** -40°C to +90°C  
**Shock:** 10 G. 11ms  
**Vibration:** 10 G. 5 to 200Hz

## Outline Drawing:



989192



**ANATECH ELECTRONICS INC**  
RF & Microwave Filters & Products

# 70 MHz LC Bandpass Filter

Part Number: AE70B10147



## Response Plot:

