


SACB-8/16-SC

Order No.: 1692051



<http://eshop.phoenixcontact.de/phoenix/treeViewClick.do?UID=1692051>

Sensor/actuator box, M12 female connector, Number of slots: 8, Number of positions: 5, Slot assignment: Double, Status indication: No, Universal 180°, Shielding: No

| Commercial data | |
|--------------------------|---|
| GTIN (EAN) |  |
| sales group | D103 |
| Pack | 1 pcs. |
| Customs tariff | 85366990 |
| Catalog page information | Page 115 (PC-2009) |

Product notes

WEEE/RoHS-compliant since: 01/01/2008



<http://www.download.phoenixcontact.com>
Please note that the data given here has been taken from the online catalog. For comprehensive information and data, please refer to the user documentation. The General Terms and Conditions of Use apply to Internet downloads.

| Technical data | |
|--|-------|
| General data | |
| Rated voltage | 120 V |
| Max. operating voltage U_{max} | 135 V |
| Current carrying capacity per I/O signal | 2 A |
| Current carrying capacity per slot | 4 A |

| | |
|------------------------------------|----------------------|
| Total rated current | 12 A |
| Number of positions | 5 |
| Number of slots | 8 |
| Degree of protection | IP65/IP67 |
| Inflammability class acc. to UL 94 | V0 |
| Ambient temperature (operation) | -25 °C ... 75 °C |
| Sensor/actuator connection system | M12 female connector |

Master cable data

| | |
|--|----------------------|
| Type of connection | Spring-cage conn. |
| Conductor cross-section min. (signal) | 0.14 mm ² |
| Conductor cross-section max. (signal) | 1 mm ² |
| Conductor cross-section AWG min. (signal) | 26 |
| Conductor cross-section AWG max. (signal) | 17 |
| Conductor cross-section min. (energy) | 0.2 mm ² |
| Conductor cross-section max. (energy) | 1.5 mm ² |
| Conductor cross-section AWG min. (energy) | 24 |
| Conductor cross-section AWG max. (energy) | 16 |
| External cable diameter min. | 6.5 mm |
| External cable diameter max. | 9.5 mm |
| Stripping length | 10 mm |
| Tightening torque, union nut | 2.5 Nm |
| Tightening torque slot sensor/actuator cable | 0.4 Nm |
| Tightening torque screw plug | 0.4 Nm |

Insulation material

| | |
|--|----------|
| Housing material | PA |
| Contact material | CuSn |
| Contact surface material | Ni/Au |
| Contact carrier material | PA |
| Material of contact, master cable side | CuZn |
| Material of contact surface, master cable side | NiSn |
| Material of the contact carrier on the master cable side | PA 66 V0 |
| Material, O-ring | NBR |

Pin assignment

| | |
|--|------------------------------------|
| Slot/position = Wire color or connection | 1 / 4 (A) = 1 / 4 |
| | 1 / 2 (B) = 1 / 2 |
| | 2 / 4 (A) = 2 / 4 |
| | 2 / 2 (B) = 2 / 2 |
| | 3 / 4 (A) = 3 / 4 |
| | 3 / 2 (B) = 3 / 2 |
| | 4 / 4 (A) = 4 / 4 |
| | 4 / 2 (B) = 4 / 2 |
| | 5 / 4 (A) = 5 / 4 |
| | 5 / 2 (B) = 5 / 2 |
| | 6 / 4 (A) = 6 / 4 |
| | 6 / 2 (B) = 6 / 2 |
| | 7 / 4 (A) = 7 / 4 |
| | 7 / 2 (B) = 7 / 2 |
| | 8 / 4 (A) = 8 / 4 |
| | 8 / 2 (B) = 8 / 2 |
| | 1-8 / 1 (+ 120 V) = U _N |
| | 1-8 / 3 (0 V) = 0 V |
| | 1-8 / 5 (PE) = PE |

Certificates / Approvals



Certification

CUL, GOST, UL

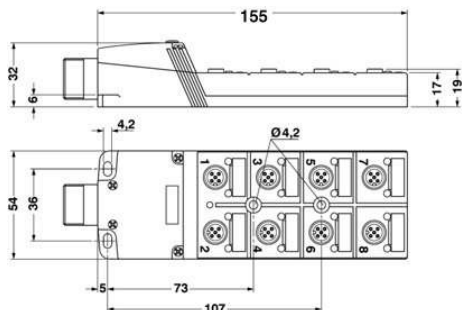
Accessories

| Item | Designation | Description |
|----------------|------------------------------|---|
| General | | |
| 1559893 | SACB-16X0,5/ 3X1,0-200,0 PUR | Master cable for sensor/actuator boxes, with PE conductor, unshielded, material PUR/PP, 19-pos., 16 x 0.50 mm ² and 3 x 1.00 mm ² , length: 200 m on drum |

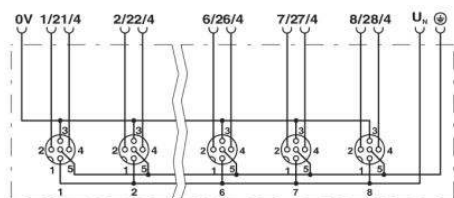
| | | |
|--|------------------------------|--|
| 1503373 | SACB-16X0,5/ 3X1,0-50,0 PUR | Master cable for sensor/actuator boxes, with PE conductor, unshielded, material PUR/PP, 19-pos., 16 x 0.50 mm ² and 3 x 1.00 mm ² , length: 50 m |
| 1430938 | SACB-16X0,5/ 3X1,0-50,0 VPUR | Master cable for sensor/actuator boxes, with PE conductor, unshielded, material PUR/PP, 19-pos., 16 x 0.50 mm ² and 3 x 1.00 mm ² , length: 50 m |
| Grommet | | |
| 1680377 | SACB-D PG 13,5 (4,0-6,5) YE | Rubber seal for Pg screw connection 13.5, for conductor diameter 4.0 mm ... 6.5 mm |
| 1680380 | SACB-D PG 13,5 (6,5-9,5) BK | Rubber seal for Pg screw connection 13.5, for conductor diameter 6.5 mm ... 9.5 mm |
| 1680393 | SACB-D PG 13,5 (9,0-13,0) RD | Rubber seal for Pg screw connection 13.5, for conductor diameter 9.0 mm ... 13.0 mm |
| Marking | | |
| 2809128 | ZBN 18:UNBEDRUCKT | Unprinted marker labels, strips with 5 labels for individual labeling with M-PEN or CMS system, for terminal block width: 17.5 mm, color: White |
| Protection and sealing elements | | |
| 1680539 | PROT-M12 | An M12 screw plug for the unoccupied M12 sockets of the sensor/actuator cable, boxes and flush-type connectors |
| Tools | | |
| 1208432 | SAC BIT M12-D15 | Nut for assembling sensor/actuator cables with M12 connector and for M12 connectors with QUICKON fast connection technology, for 4 mm hexagonal drive |
| 1208445 | SACC BIT M12-D20 | Nut for assembling SACC M12 connectors for free assembly, excluding M12 connectors with QUICKON fast connection technology, for 4 mm hexagonal drive |
| 1206450 | SZK PZ1 VDE | Screwdriver, PZ crosshead, VDE insulated, size: PZ 1 x 80 mm, 2-component grip, with non-slip grip |
| 1208429 | TSD 04 SAC | Torque screwdriver, with preset torque of 0.4 Nm and 4 mm hexagonal drive for M12 connectors |

Diagrams/Drawings

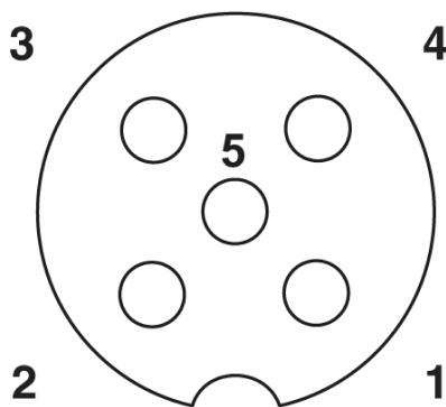
Dimensioned drawing



Circuit diagram



Schematic diagram



M12 slot, socket, 5-pos.

Address

PHOENIX CONTACT Inc., USA
586 Fulling Mill Road
Middletown, PA 17057, USA
Phone (800) 888-7388
Fax (717) 944-1625
<http://www.phoenixcon.com>



© 2010 Phoenix Contact
Technical modifications reserved;