

THIS DRAWING IS UNPUBLISHED. RELEASED FOR PUBLICATION
 © COPYRIGHT BY TYCO ELECTRONICS CORPORATION. ALL RIGHTS RESERVED.

| LOC | DIST | REVISIONS | | | |
|-----|------|---------------|---------|-----|------|
| P | LTR | DESCRIPTION | DATE | DWN | APVD |
| B | | ECO 06 000585 | 08AUG06 | BSV | MZ |

SPECIFICATIONS:

MATERIALS:

CASE: HIGH TEMPRATURE POLYESTER. UL 94V-0.
 ACTUATOR BUTTON: THERMOPLASTIC, COLORS: SEE CHART BELOW.
 MOVING CONTACT: COPPER ALLOY: GOLD PLATED.
 FIXED CONTACT: COPPER ALLOY. GOLD PLATED.
 TERMINALS: COPPER ALLOY: TIN LEAD PLATED.
 TERMINAL SEAL: SP. EPOXY DP EPOXY OPTIONAL.

ELECTRICAL:

CONTACT RATING: GOLD =0.4 VA MAX. @ 20 VDC OR PEAK AC.
 INITIAL CONTACT RESISTANCE: 20 MILLIOHMS MAX.
 INSULATION RESISTANCE: 1000 MEGOHMS 500 VDC MIN.
 DIELECTRIC STRENGTH: 1.000 VAC.
 LIFE EXPECTANCY: GOLD: 1 POLE 100,000 CYCLES.
 2 POLE 80,000 CYCLES.

MECHANICAL:

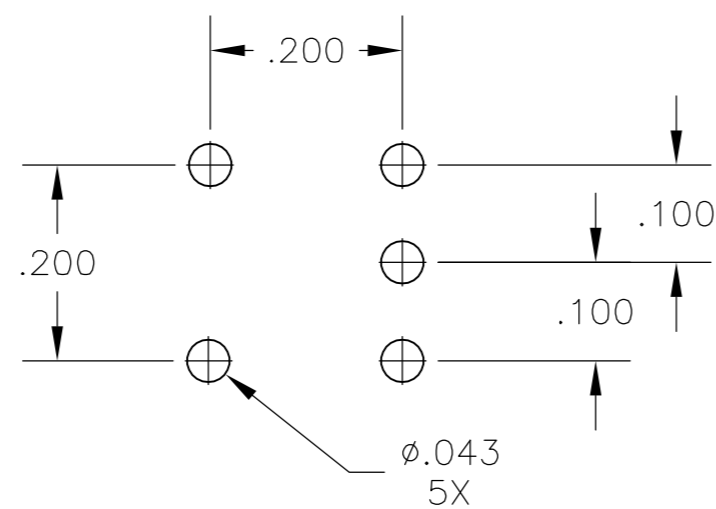
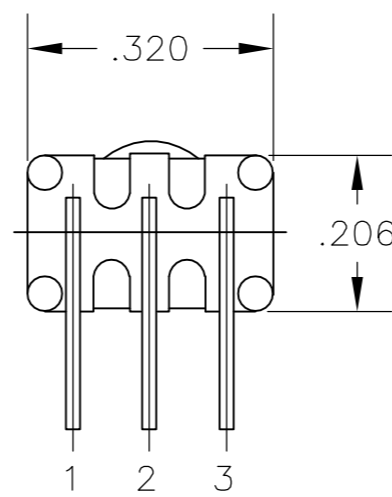
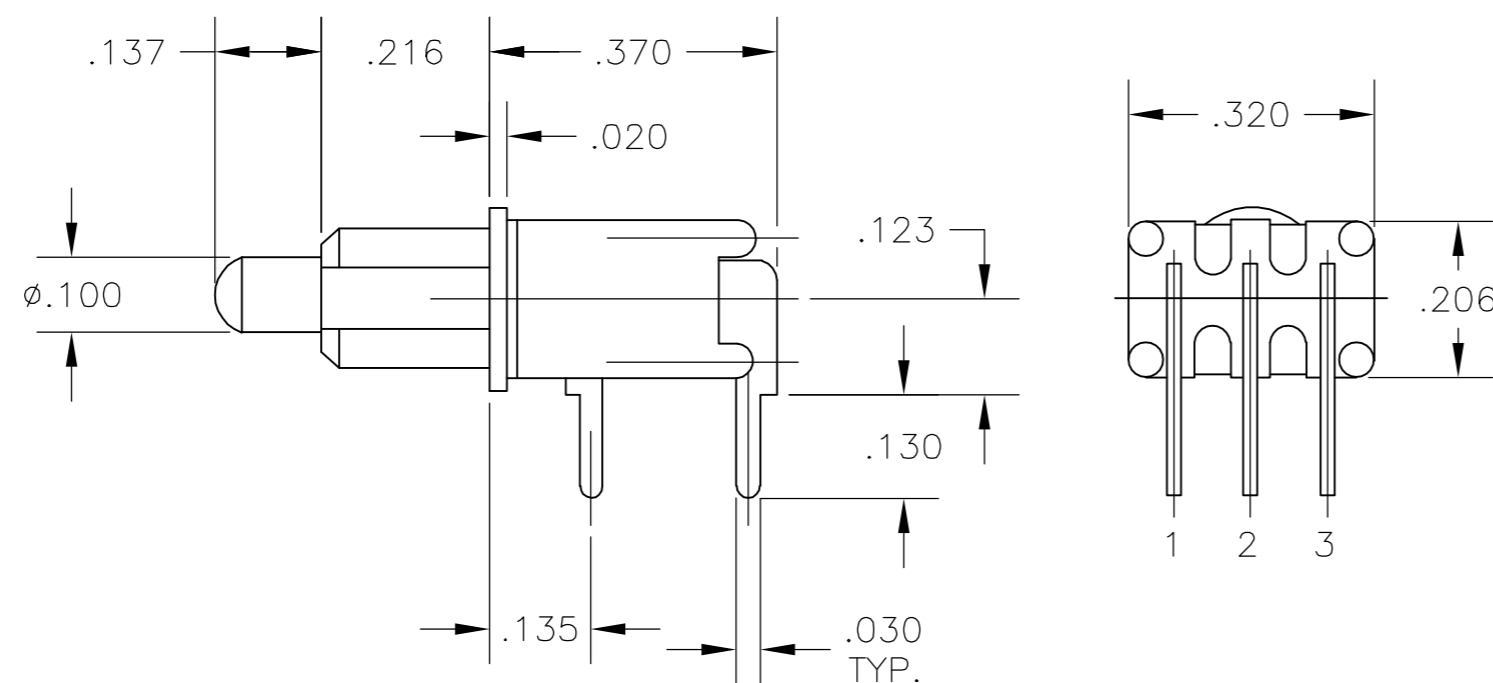
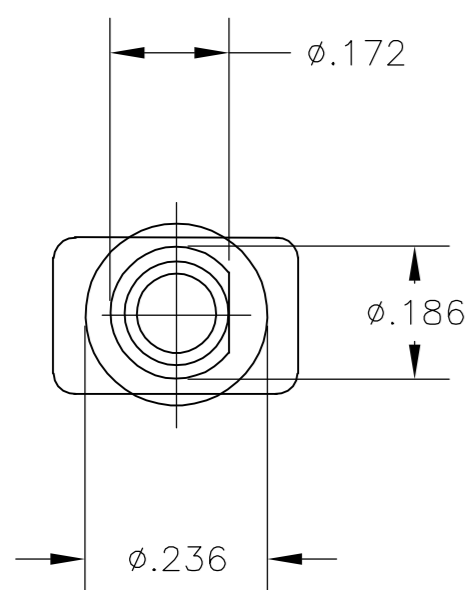
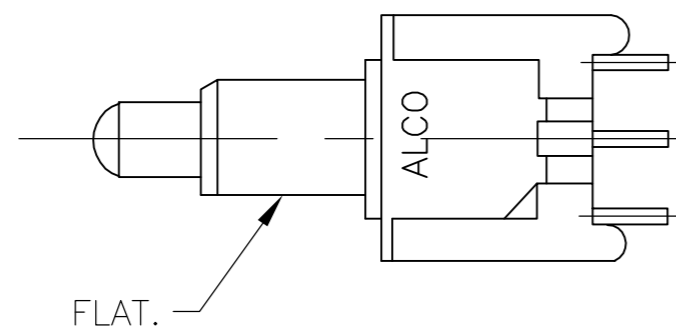
ACTUATION FORCE: 50 TO 400g.
 ACTUIATION TRAVEL: .030 APPROX.

ENVIRNAMENTAL:

OPERATING TEMPARATURE: -22°F TO +149°F (-30°C TO +65°C)
 STORAGE EMPRATURE -22°F TO +149°F (-30°C TO +65°C)

NOTES:

1. INTERPRET DRAWING PER ASME. Y145M-1994.
2. SUPPLIED WITH MOUNTING HARDWARE.



RECOMMENDED HOLE LAYOUT
 TOLERANCE $\pm.002$ UNLESS
 OTHERWISE NOTED

| TERMINALS CONNECTED WHEN BUTTON IS IN POSITION SHOWN | | |
|--|------|----------|
| SWITCH MODEL | FLAT | FLAT |
| TPB11CG-RA(*) | OFF | 3-1(MOM) |
| TPB11FG-RA(*) | 2-1 | 2-3(MOM) |

NOTE:
 TERMINAL DESIGNATION NUMBERS ARE FOR REFERENCE ONLY AND DO NOT APPEAR ON SWITCHES.

| (*) | BUTTON COLOR |
|-----|--------------|
| 0 | BLACK |
| 2 | RED |
| 6 | BLUE |

| | | | | | | |
|---|--|---------------------------|---|-----------------|--------------------------|-----------------|
| THIS DRAWING IS A CONTROLLED DOCUMENT. | | DWN V.J.MARTIN 06FEB81 | Tyco Electronics Corporation Harrisburg, Pa 17105-3608 | | | |
| DIMENSIONS: INCHES | | CHK B.BUCKHEIT 06FEB81 | | | | |
| TOLERANCES UNLESS OTHERWISE SPECIFIED: | | APVD RICHARD.D 06FEB81 | NAME SWITCH,PUSH BUTTON TPB11CG/FG-RA(*) | | | |
| 0 PLC \pm - 1 PLC \pm - 2 PLC \pm - 3 PLC \pm .010 4 PLC \pm - ANGLES \pm 1' | | PRODUCT SPEC - | SIZE A2 | CAGE CODE 00779 | DRAWING NO C=5-1437571-7 | RESTRICTED TO - |
| MATERIAL SEE SPECIFICATIONS | | FINISH SEE SPECIFICATIONS | WEIGHT - | SCALE 4:1 | SHEET 1 OF 1 | REV B |
| | | CUSTOMER DRAWING | | | | |

5-1437571-1