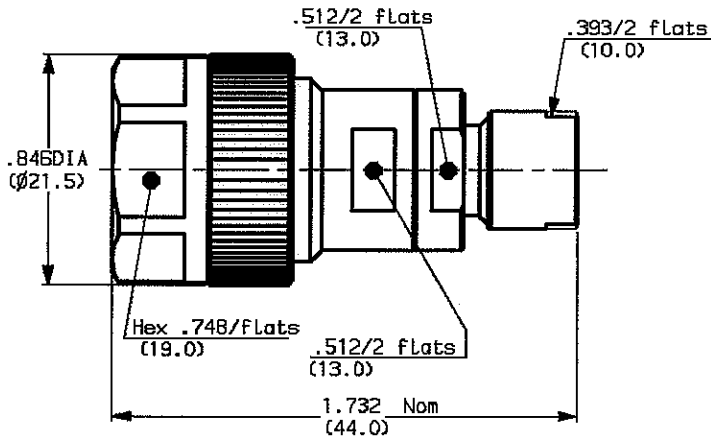


DEP90.R161.500



WEIGHT oz (g)

cables: .250

mounting instructions : M03

CHARACTERISTICS

NOMINAL IMPEDANCE	50 Ω
FREQUENCY RANGE	0-18 GHz
TEMPERATURE RATING	-40/+125 °C
VSWR	1.05 + 0.007 f(GHz)
RF INSERTION LOSS	0.1 \sqrt{f} dB Maxi
VOLTAGE RATING	1000 Vrms Maxi
DIELECTRIC WITHSTANDING VOLTAGE	2000 Vrms mini
INSULATION RESISTANCE	5000 Ma mini
HERMETIC SEAL	NA cc/s Atm.cm3/s
LEAKAGE	0.641 psi .0044 MPa
(Low atmospheric air pressure)	

STANDARDISATION	MIL C 39012
	CECC 22000
	IEC 169-16
DS 8811 - Aeronautic applications	

CABLE RETENTION	91.8 Lb mini 408 N
CENTER CONTACT RETENTION	
Axial force - mating end	6.075 Lb mini 27 N
Axial force - opposite end	6.075 Lb mini 27 N
Torque (Min)	NA Inch.oz cm.N
RECOMMENDED TORQUES	
Mating	14.176 Inch. Lb 160 cm.N
Panel nut	NA Inch. Lb cm.N
Clamp nut	31.01 Inch. Lb 350 cm.N

CONSTRUCTION

CONNECTOR PARTS	MATERIALS	FINISH
BODY	STAINLESS STEEL	PASSIVATED
OUTER CONTACT	STAINLESS STEEL	PASSIVATED
CENTER CONTACT	BERYLLIUM COPPER	GOLD
INSULATOR	POLYETHERIMID RESIN	-
INSULATOR	PTFE	-
GASKET	FLUOROSILICON	-
-	-	-
-	-	-
-	-	-

ISSUE	REVISION No	DESCRIPTION	BY	DATE
.
.
.
.

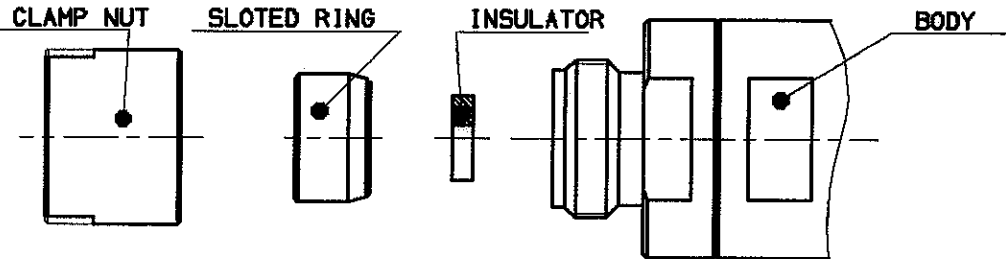
Initiated on 27-JUN-90

The information given here is subject to change without notice. Design changes may be in order to improve the product.



Superseded on - - - - -

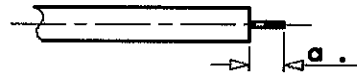
MOUNTING INSTRUCTIONS



We recommend a cable thermal preconditioning before assembly

①

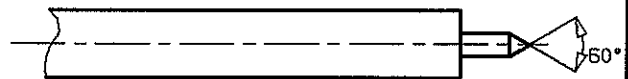
- 1-1 Strip the cable .
- Stripping tool R 282 054
- Positioner R 282 074



Stripping	a	b	c	d	e
Inch	.201	-	-	-	-
mm	5.1	-	-	-	-

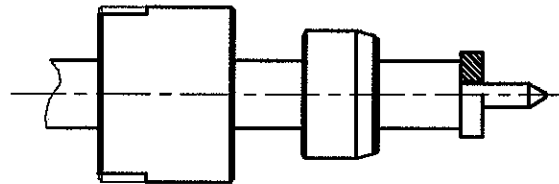
②

- 2-1 Trim cable centre conductor .
- Trimmer R 282 074



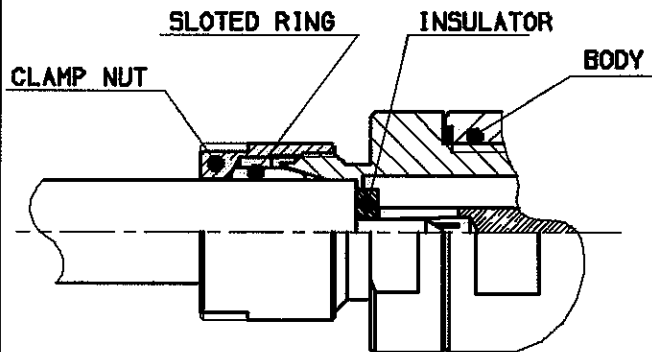
③

- 3-1 Slide clamp nut ,slotted ring and insulator onto the cable .



④

- 4-1 Introduce the cable into the connector and push it until it bottoms against body shoulder .
- 4-2 Screw the sub-assembly maintaining the cable against body shoulder .



Recommended coupling torque : 31 in.lb

ISSUE	REVISION No	DESCRIPTION	BY	DATE
.
.
.

Initiated on _____
superseded on _____

The information given here is subject to change without notice. Design changes may be in order to improve the product.

