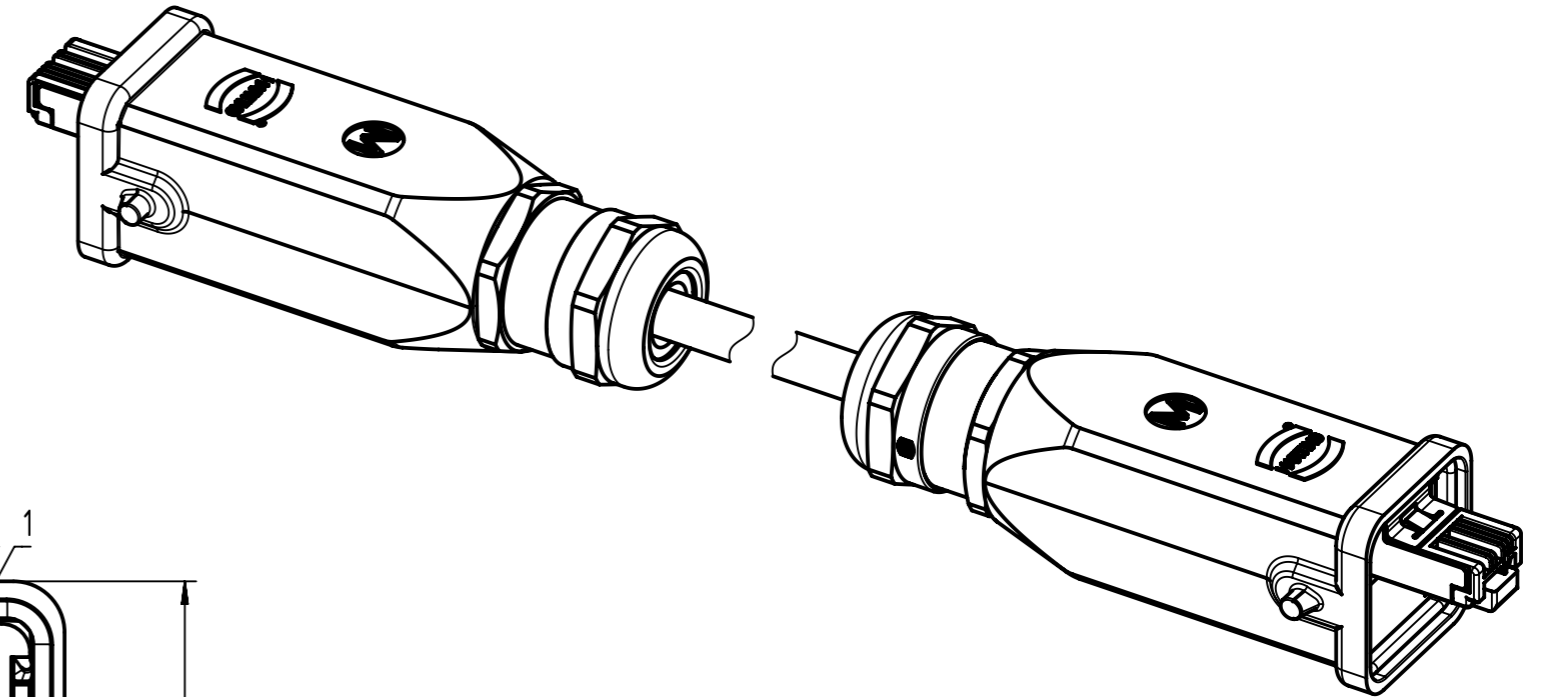
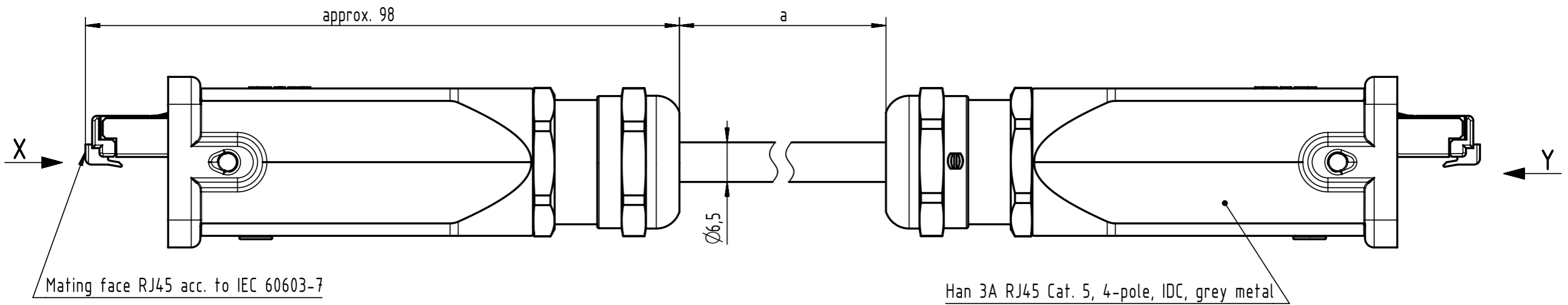


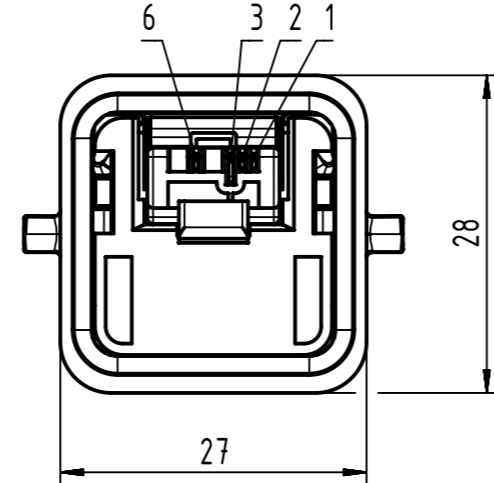
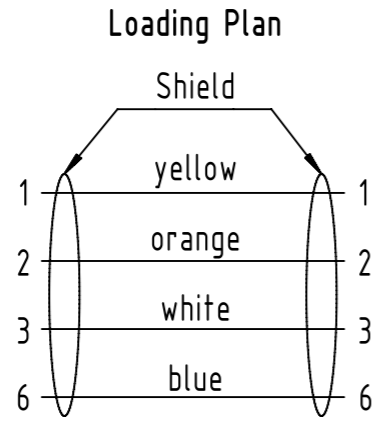
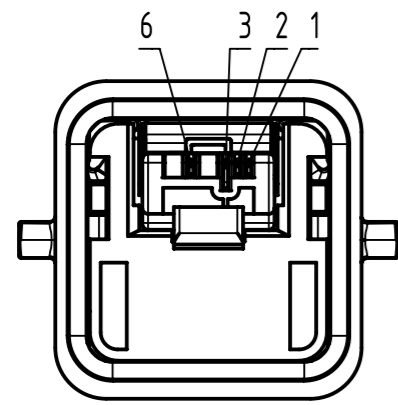
Connector Location A

Connector Location B



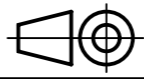

X
male

Y
male



- Protection level: IP65/67
 - Temperature range: -40°C ... +70°C

	All rights reserved Department HCS - RO HARTING Customised Solutions D-32339 Espelkamp	All Dimensions in mm	Tech. Character.	Free size tol.	According to production drawing
		Created by COSTEA Costea	Inspected by STOCHECIC Stocheci	Standardisation MUNTEANV Muntean	Date 2019-07-18
Title Han 3A RJ45 Cable Assembly		Type TB		Number 0945715XXXX	
Doc-Key / ECM-Nr. 100081046/UGD/010/E 500000156154					Rev. E
Page 1/2					

1	2		3	4	5	6	7	8				
A	51	09457151126	RJI Ethernet Standard Cable, 4xAWG 22/1, PVC, Cat. 5+, green	4	95	09457151183	RJI Ethernet Stranded Cable, 4xAWG 22/7, PVC, Cat. 5+, green	100				
	50	09457151125		3	94	09457151182		90				
	49	09457151124		2	93	09457151181		80				
	48	09457151123		1.5	92	09457151180		70				
	47	09457151122		1	91	09457151179		60				
	46	09457151121	0.5	90	09457151178	50						
B	45	09457150083	RJI Ethernet Stranded Cable, 4xAWG 22/7, PVC outdoor, Cat. 5+, black	100	89	09457151177		40				
	44	09457150082		90	88	09457151176		30				
	43	09457150081		80	87	09457151175		20				
	42	09457150080		70	86	09457151174		15				
	41	09457150079		60	85	09457151173	10					
	40	09457150078		50	84	09457151172	9					
	39	09457150077		40	83	09457151171	8					
	38	09457150076		30	82	09457151185	7.5					
	37	09457150075		20	81	09457151170	7					
	36	09457150074		15	80	09457151169	6					
	35	09457150073		10	79	09457151168	5					
	34	09457150072		9	78	09457151167	4					
	33	09457150071		8	77	09457151166	3					
	32	09457150070		7	76	09457151165	2					
C	31	09457150069		6	75	09457151164	1.5					
	30	09457150068	5	74	09457151163	1						
	29	09457150067	4	73	09457151162	0.5						
	28	09457150066	3	72	09457151161	100						
	27	09457150065	2	71	09457151160	90						
	26	09457150064	1.5	70	09457151144	85						
	25	09457150063	1	69	09457151159	80						
	24	09457150062	0.5	68	09457151158	70						
D	23	09457150061	RJI Ethernet Standard Cable, 4xAWG 22/1, PVC, Cat. 5+, green	100	67	09457151143	65					
	22	09457150060		90	66	09457151157	60					
	21	09457150059		80	65	09457151142	55					
	20	09457150058		70	64	09457151156	50					
	19	09457150057		60	63	09457151155	40					
	18	09457150056		50	62	09457151141	35					
	17	09457150055		40	61	09457151154	30					
	16	09457150054		30	60	09457151140	25					
	15	09457150090		25	59	09457151153	20					
	14	09457150053		20	58	09457151152	15					
	13	09457150052		15	57	09457151151	10					
	12	09457150051		10	56	09457151131	9					
	11	09457150031		9	55	09457151130	8					
	10	09457150030		8	54	09457151129	7					
	9	09457150029		7	53	09457151128	6					
	8	09457150028	6	52	09457151127	5						
	7	09457150027	5									
	6	09457150026	4									
	5	09457150025	3									
	4	09457150024	2									
	3	09457150023	1.5									
	2	09457150022	1									
	1	09457150021	0.5									
F	Cont. no.	Part no.	Type of cable	Dim. a[m]	Cont. no.	Part no.	Type of cable	Dim. a[m]				
					 All Dimensions in mm		Tech. Character.		Free size tol.		According to production drawing	
					 All rights reserved Department HCS - RO		Created by COSTEA Costea		Inspected by STOCHECIC Stocheci		Standardisation MUNTEANV Muntean	
					Title Han 3A RJ45 Cable Assembly		Date 2019-07-18		State Final Release		Doc-Key / ECM-Nr. 100081046/UGD/010/E 500000156154	
					HARTING Customised Solutions D-32339 Espelkamp		Type TB		Number 0945715XXXX		Rev. E	
											Page 2/2	