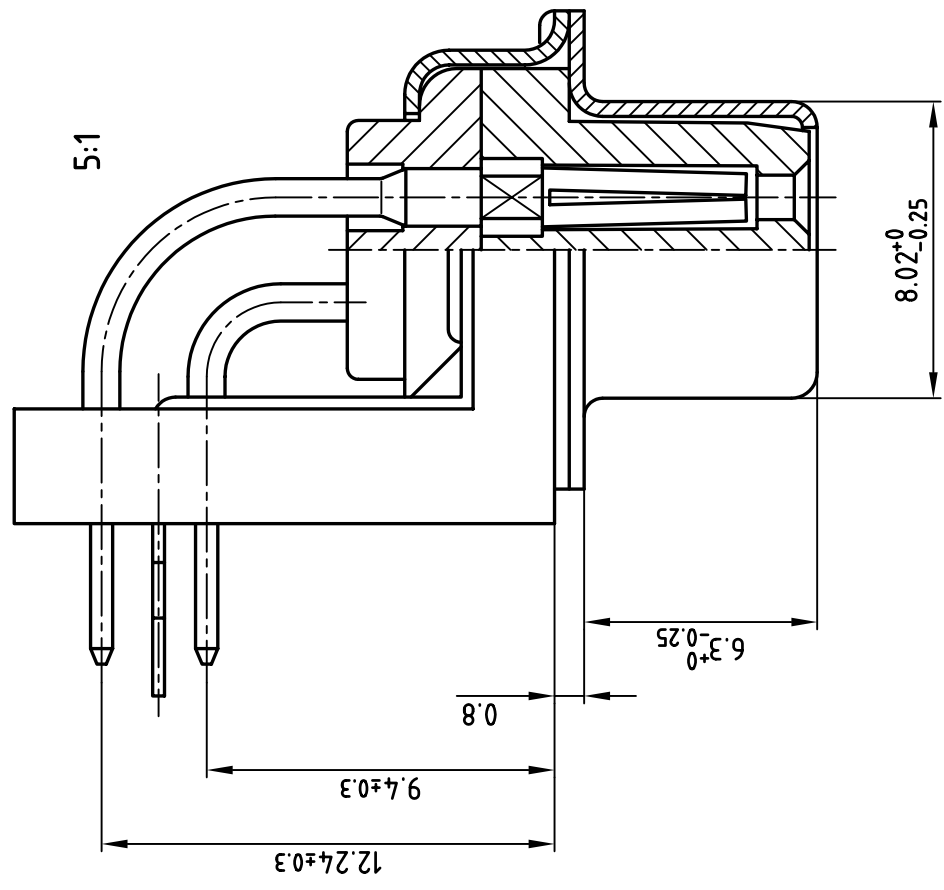
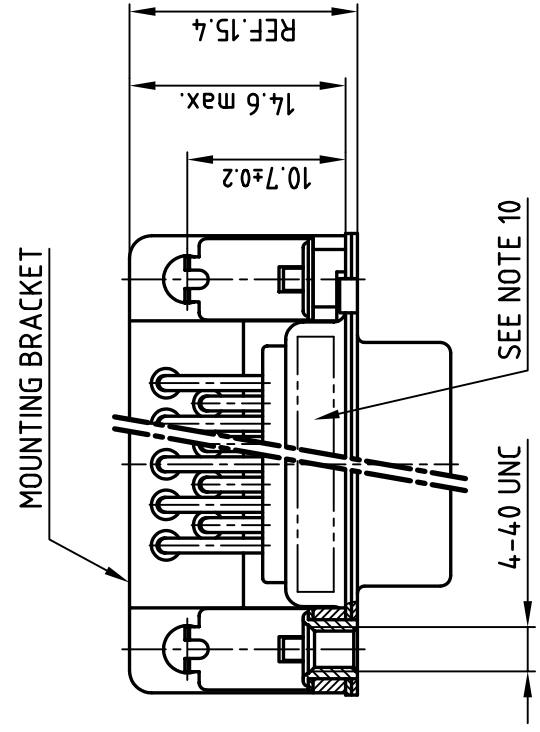
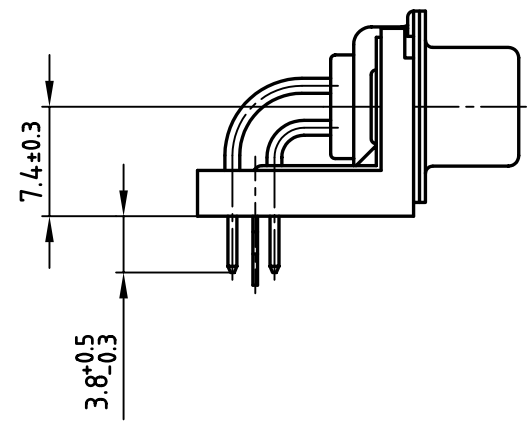
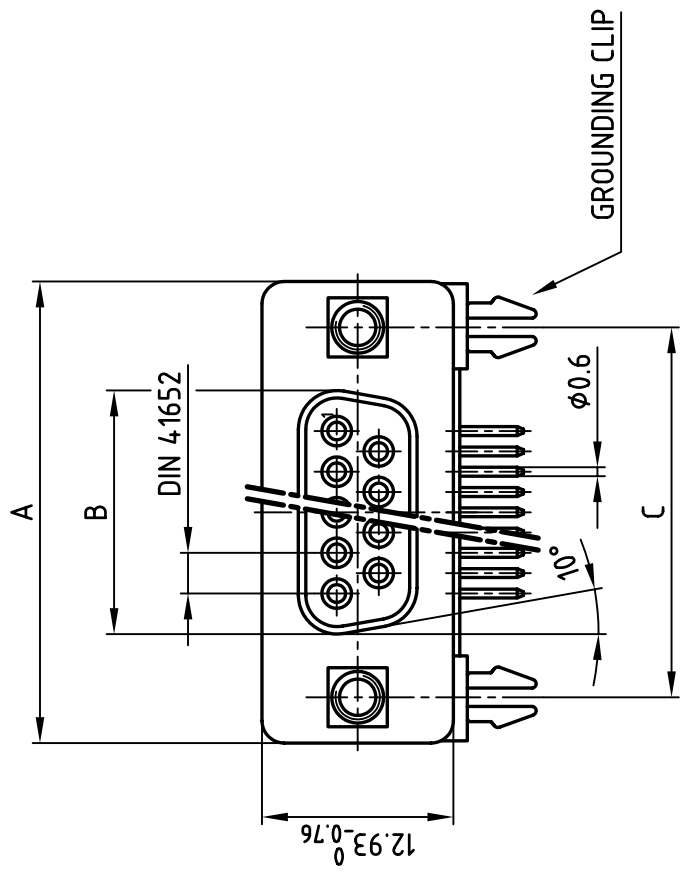


used for: D-SUB

POS.	A <sup>-0.76</sup>	B <sup>-0.25</sup>	C	PART NO.
9	31.19	16.46	25.00 <sup>+0.12</sup> <sub>-0.13</sub>	164A12969X
15	39.52	24.79	33.30 <sup>+0.15</sup> <sub>-0.1</sub>	164A12979X
25	53.42	38.50	47.04 <sup>+0.13</sup>	164A12989X
37	69.70	54.96	63.50 <sup>+0.13</sup>	164A12999X



**NOTES:**

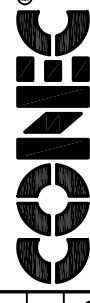
1. METALSHELLS: STEEL; min. 320µ" TIN
2. INSULATORS: PBT GF UL 94 V-0; BLACK
3. CONTACTS: COPPER ALLOY
4. PLATING: min. 8µ" HARD GOLD OVER min. 50µ" NICKEL
5. MOUNTING BRACKET: PBT GF UL 94 V-0; BLACK
6. THREADED INSERT: COPPER ALLOY; min. 200µ" TIN over 80µ" NICKEL
7. GROUNDING-CLIP: COPPER ALLOY; min. 200µ" TIN over 80µ" NICKEL  
PCB-HOLE:  $\phi 3.1 \pm 0.1$ ; PCB THICKNESS 1.6mm
8. P.C.B. HOLE DRILLINGS ON DRAWING NO.: 16K111UA
9. MAXIMUM TORQUE VALUE FOR THREAD: 6" LBS
10. CONNECTOR IS PART MARKED: [PART-NO.] CONEC [ABC]



THIS DRAWING MAY NOT BE COPIED OR REPRODUCED IN ANY WAY, AND MAY NOT BE PASSED ON TO A THIRD PARTY WITHOUT WRITTEN PERMISSION.  
OWNERSHIP AND COPYRIGHT OF CONEC GMBH DO NOT ALTER CAD DRAWING BY HAND

rev.	description	date	name

tolerance	2:1 (5:1)
scale	2:1 (5:1)
material	SEE NOTES
title	D-SUB FEMALE 90° 0.370inch 9-37pos. threaded insert, mounting bracket, grounding clip
dwg no:	16K1A165A
part no:	SEE TABLE



AutoCAD 2000  
DIN-A  
3  
sh: 1/1