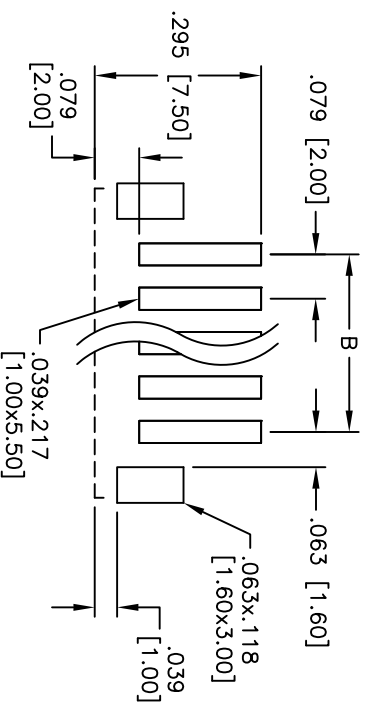
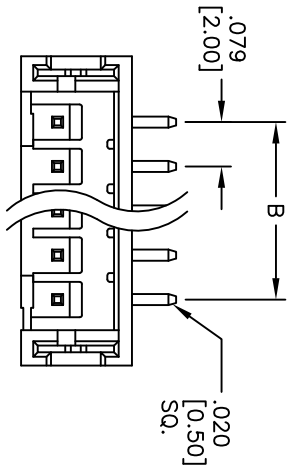
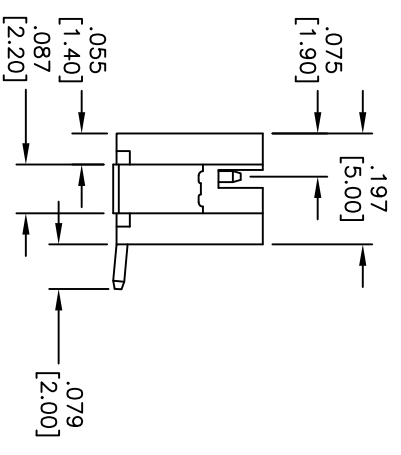
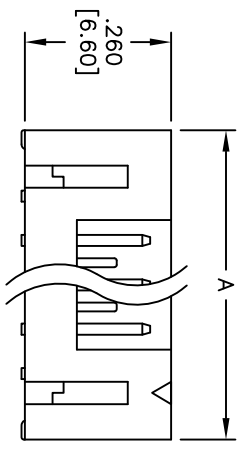


APPROVED: _____
 DATE: _____ TITLE: _____

Rev	AWO #	Description	Date	Appr
-		RELEASED	4/7/05	
A		REVISED DIM.	3/2/12	



RECOMMENDED PCB LAYOUT



SPECIFICATIONS:

Material: Nylon46, rated UL 94V-0
 Insulator color: White
 Contacts: Brass
 Plating:
 Tin over Copper underplate overall
 Electrical:
 Operating voltage: 100 VAC max
 Current rating: 2 Amps max
 Contact resistance: 10 mohms max
 Dielectric withstanding voltage: 800 VAC for 1 minute
 Temperature Rating:
 Operating temperature: -25°C to +85°C
 Environmental:
 Halogen & Lead free, RoHS compliant

Positions: 2 thru 16
 A = .079 [2.00] x No. of Positions + .153 [3.90]
 B = .079 [2.00] x No. of Spaces

UNLESS OTHERWISE SPECIFIED
 ALL DIMENSIONS ARE INCHES [MM]
 TOLERANCES: EXCEPT AS NOTED
 INCHES HOLEES

X	± .10	ØX	± .10
.XX	± .020	ØXX	± .015
.XXX	± .015	ØXXX	± .010

APPROVALS _____ DATE _____

ADAM TECH
 909 Railway Avenue, Union, NJ 07083
 Phone: 908-687-5000 Fax: 908-687-5710

TITLE: .079 [2.00] SHROUDED HEADER, VERTICAL, SURFACE MOUNT

DRAWN	SS	4/7/05	SIZE	PART NO.	2SH-C-XX-TS-SMT	REV.	A
CHECKED							
APPROVED			REF:	S00123T	SCALE:	NTS	SHEET 1 OF 1

