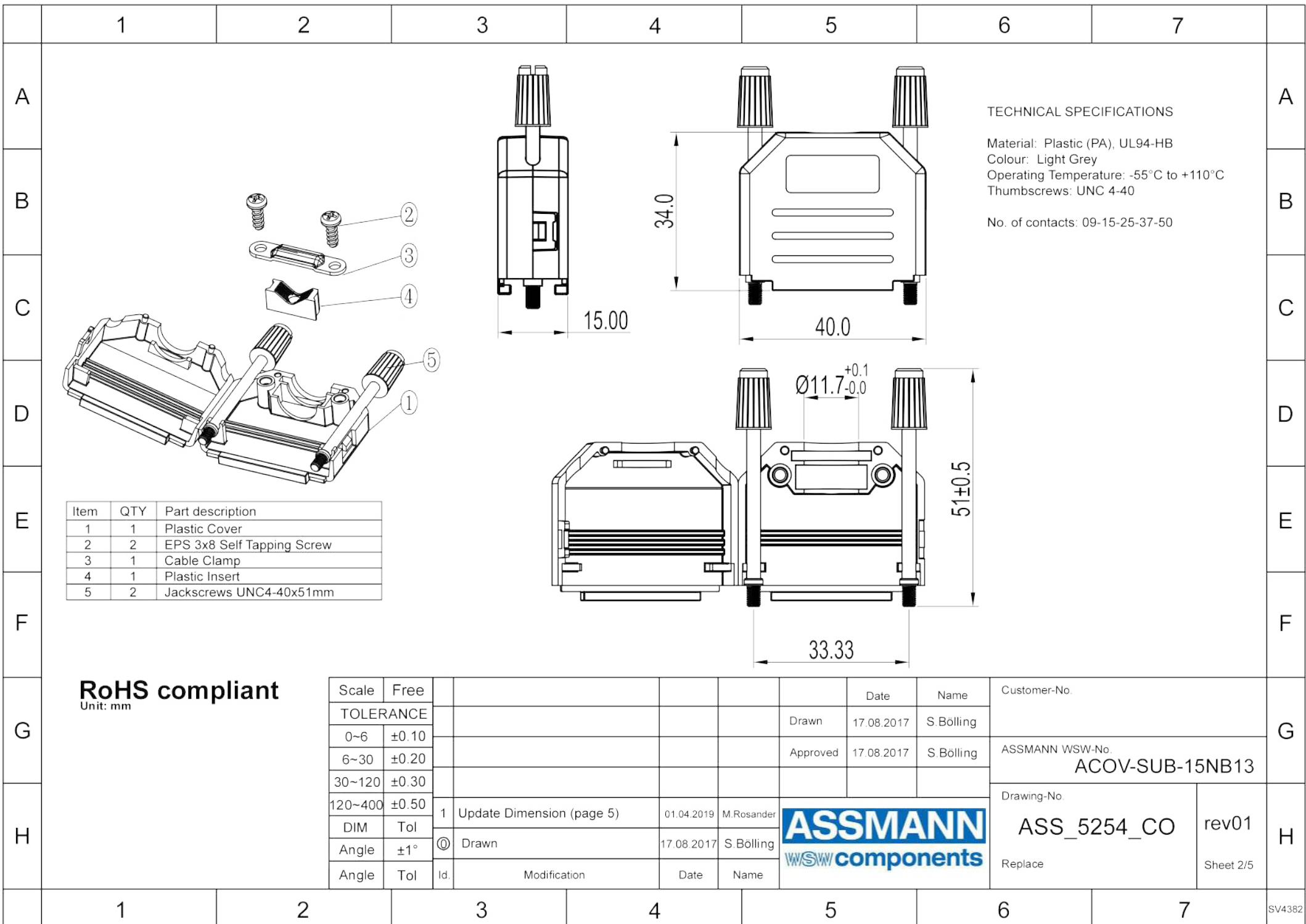


	1	2	3	4	5	6	7																																																																																				
A							<p>TECHNICAL SPECIFICATIONS</p> <p>Material: Plastic (PA), UL94-HB Colour: Light Grey Operating Temperature: -55°C to +110°C Thumbscrews: UNC 4-40</p> <p>No. of contacts: 09-15-25-37-50</p>																																																																																				
B																																																																																											
C																																																																																											
D																																																																																											
E	<table border="1"> <thead> <tr> <th>Item</th> <th>QTY</th> <th>Part description</th> </tr> </thead> <tbody> <tr> <td>1</td> <td>1</td> <td>Plastic Cover</td> </tr> <tr> <td>2</td> <td>2</td> <td>EPS 3x8 Self Tapping Screw</td> </tr> <tr> <td>3</td> <td>1</td> <td>Cable Clamp</td> </tr> <tr> <td>4</td> <td>1</td> <td>Plastic Insert</td> </tr> <tr> <td>5</td> <td>2</td> <td>Jackscrews UNC4-40x51mm</td> </tr> </tbody> </table>		Item	QTY	Part description	1	1	Plastic Cover	2	2	EPS 3x8 Self Tapping Screw	3	1	Cable Clamp	4	1	Plastic Insert	5	2	Jackscrews UNC4-40x51mm																																																																							
Item	QTY	Part description																																																																																									
1	1	Plastic Cover																																																																																									
2	2	EPS 3x8 Self Tapping Screw																																																																																									
3	1	Cable Clamp																																																																																									
4	1	Plastic Insert																																																																																									
5	2	Jackscrews UNC4-40x51mm																																																																																									
F																																																																																											
G	<p>RoHS compliant Unit: mm</p>		<table border="1"> <thead> <tr> <th>Scale</th> <th>Free</th> <th></th> <th></th> <th></th> <th></th> <th>Date</th> <th>Name</th> <th>Customer-No.</th> </tr> </thead> <tbody> <tr> <td colspan="2">TOLERANCE</td> <td></td> <td></td> <td></td> <td></td> <td>Drawn</td> <td>17.08.2017</td> <td>S.Bölling</td> </tr> <tr> <td>0~6</td> <td>±0.10</td> <td></td> <td></td> <td></td> <td></td> <td>Approved</td> <td>17.08.2017</td> <td>S.Bölling</td> </tr> <tr> <td>6~30</td> <td>±0.20</td> <td></td> <td></td> <td></td> <td></td> <td></td> <td></td> <td>ASSMANN WSW-No. ACOV-SUB-09NB13</td> </tr> <tr> <td>30~120</td> <td>±0.30</td> <td></td> <td></td> <td></td> <td></td> <td></td> <td></td> <td>Drawing-No.</td> </tr> <tr> <td>120~400</td> <td>±0.50</td> <td>1</td> <td>Update Dimension (page 5)</td> <td>01.04.2019</td> <td>M.Rosander</td> <td colspan="2" rowspan="2"> </td> <td>ASS_5254_CO</td> </tr> <tr> <td>DIM</td> <td>Tol</td> <td></td> <td></td> <td></td> <td></td> <td>rev01</td> </tr> <tr> <td>Angle</td> <td>±1°</td> <td>Ⓞ</td> <td>Drawn</td> <td>17.08.2017</td> <td>S.Bölling</td> <td>Replace</td> <td></td> <td>Sheet 1/5</td> </tr> <tr> <td></td> <td>Angle</td> <td>Tol</td> <td>Id.</td> <td>Modification</td> <td>Date</td> <td>Name</td> <td></td> <td></td> </tr> </tbody> </table>		Scale	Free					Date	Name	Customer-No.	TOLERANCE						Drawn	17.08.2017	S.Bölling	0~6	±0.10					Approved	17.08.2017	S.Bölling	6~30	±0.20							ASSMANN WSW-No. ACOV-SUB-09NB13	30~120	±0.30							Drawing-No.	120~400	±0.50	1	Update Dimension (page 5)	01.04.2019	M.Rosander			ASS_5254_CO	DIM	Tol					rev01	Angle	±1°	Ⓞ	Drawn	17.08.2017	S.Bölling	Replace		Sheet 1/5		Angle	Tol	Id.	Modification	Date	Name										
Scale	Free					Date	Name	Customer-No.																																																																																			
TOLERANCE						Drawn	17.08.2017	S.Bölling																																																																																			
0~6	±0.10					Approved	17.08.2017	S.Bölling																																																																																			
6~30	±0.20							ASSMANN WSW-No. ACOV-SUB-09NB13																																																																																			
30~120	±0.30							Drawing-No.																																																																																			
120~400	±0.50	1	Update Dimension (page 5)	01.04.2019	M.Rosander			ASS_5254_CO																																																																																			
DIM	Tol							rev01																																																																																			
Angle	±1°	Ⓞ	Drawn	17.08.2017	S.Bölling	Replace		Sheet 1/5																																																																																			
	Angle	Tol	Id.	Modification	Date	Name																																																																																					
H																																																																																											
	1	2	3	4	5	6	7	SV4382																																																																																			



TECHNICAL SPECIFICATIONS

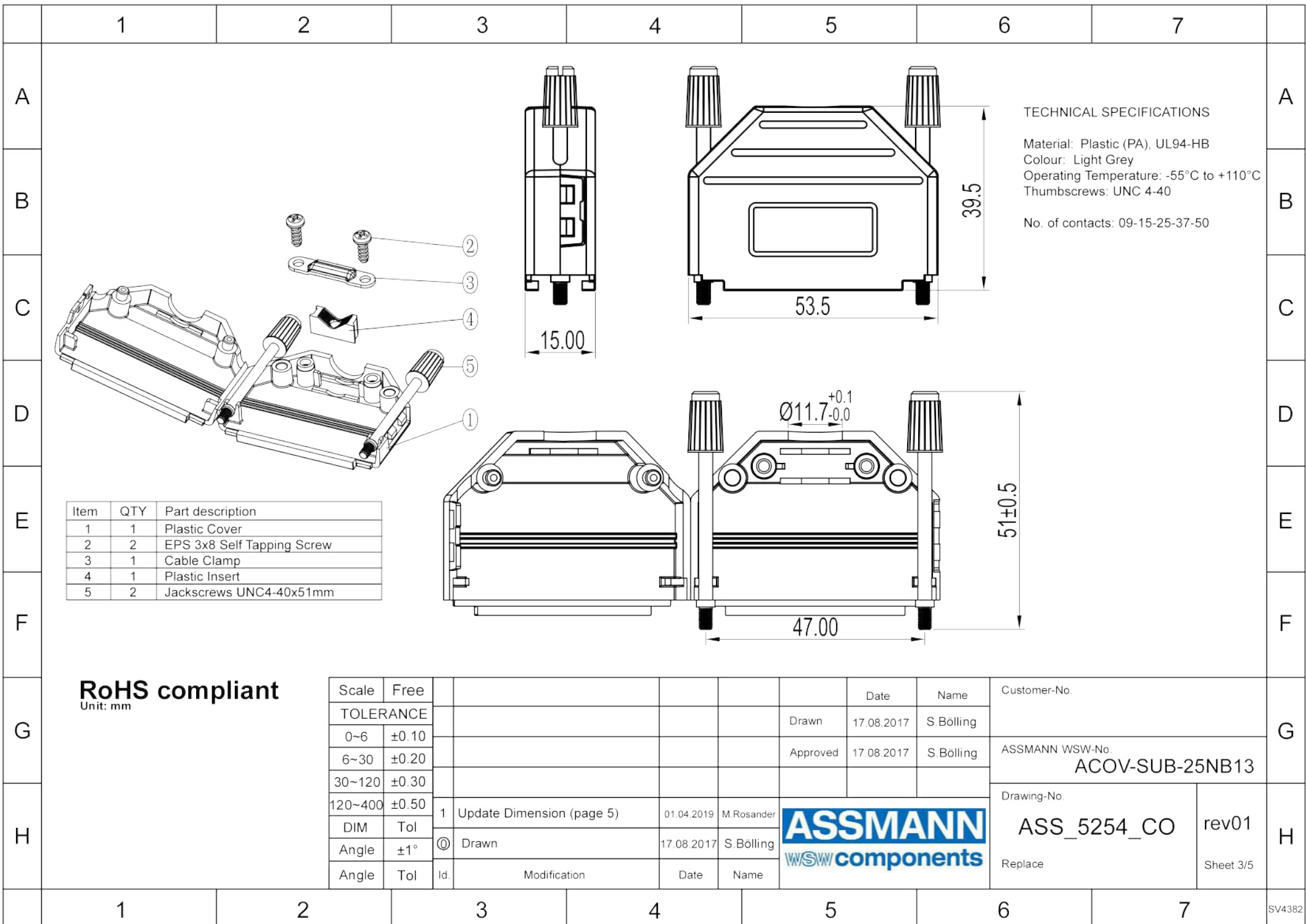
Material: Plastic (PA), UL94-HB
 Colour: Light Grey
 Operating Temperature: -55°C to +110°C
 Thumbscrews: UNC 4-40

No. of contacts: 09-15-25-37-50

Item	QTY	Part description
1	1	Plastic Cover
2	2	EPS 3x8 Self Tapping Screw
3	1	Cable Clamp
4	1	Plastic Insert
5	2	Jackscrews UNC4-40x51mm

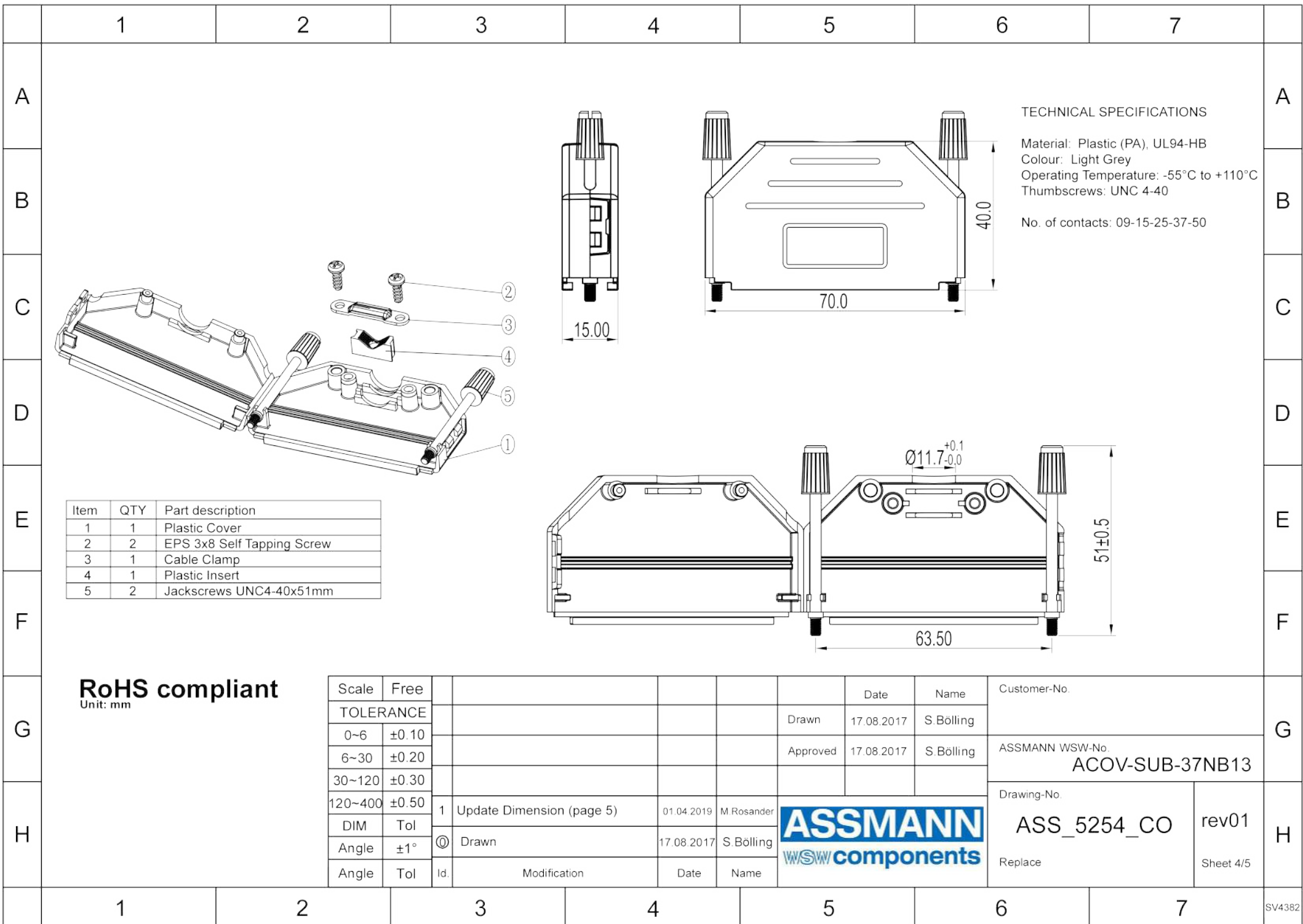
RoHS compliant
 Unit: mm

Scale	Free					Date	Name	Customer-No.
TOLERANCE						Drawn	17.08.2017	S. Bölling
0~6	±0.10					Approved	17.08.2017	S. Bölling
6~30	±0.20							ASSMANN WSW-No. ACOV-SUB-15NB13
30~120	±0.30							Drawing-No.
120~400	±0.50	1	Update Dimension (page 5)	01.04.2019	M. Rosander			ASS_5254_CO
DIM	Tol	Ⓞ	Drawn	17.08.2017	S. Bölling			rev01
Angle	±1°							Replace
Angle	Tol	Id.	Modification	Date	Name			Sheet 2/5



RoHS compliant
 Unit: mm

Scale	Free					Date	Name	Customer-No.
TOLERANCE						Drawn	17.08.2017	S. Bölling
0~6	±0.10					Approved	17.08.2017	S. Bölling
6~30	±0.20							ASSMANN WSW-No. ACOVSUB-25NB13
30~120	±0.30							Drawing-No.
120~400	±0.50	1	Update Dimension (page 5)	01.04.2019	M. Rosander			ASS_5254_CO
DIM	Tol	Ⓞ	Drawn	17.08.2017	S. Bölling			rev01
Angle	±1°							Replace
Angle	Tol	Id.	Modification	Date	Name			Sheet 3/5




TECHNICAL SPECIFICATIONS

Material: Plastic (PA), UL94-HB
 Colour: Light Grey
 Operating Temperature: -55°C to +110°C
 Thumbscrews: UNC 4-40
 No. of contacts: 09-15-25-37-50

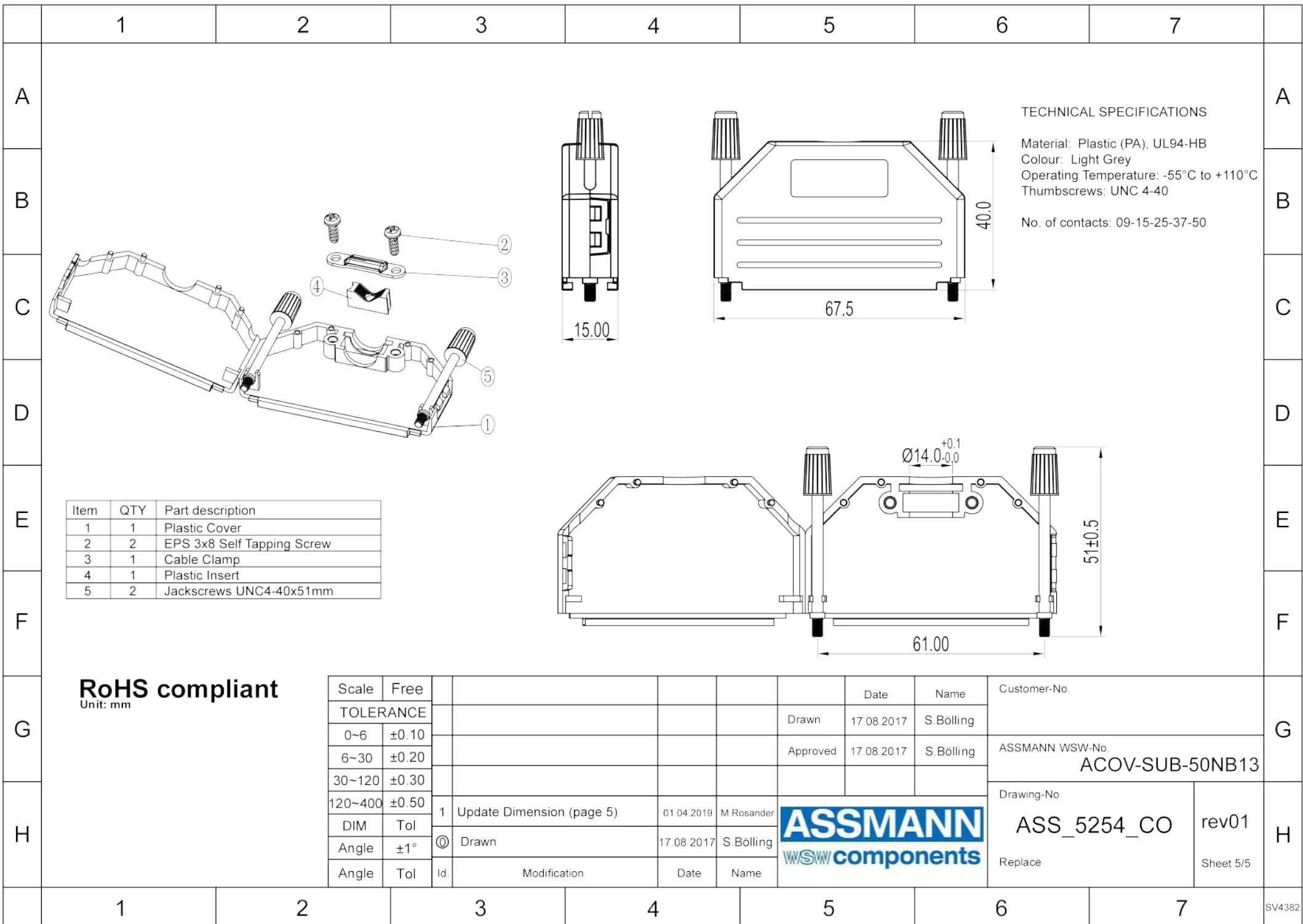
Item	QTY	Part description
1	1	Plastic Cover
2	2	EPS 3x8 Self Tapping Screw
3	1	Cable Clamp
4	1	Plastic Insert
5	2	Jackscrews UNC4-40x51mm

RoHS compliant
 Unit: mm

Scale	Free					Date	Name	Customer-No.
TOLERANCE						Drawn	17.08.2017	S. Bölling
0~6	±0.10					Approved	17.08.2017	S. Bölling
6~30	±0.20							
30~120	±0.30							
120~400	±0.50	1	Update Dimension (page 5)	01.04.2019	M. Rosander			
DIM	Tol	Ⓞ	Drawn	17.08.2017	S. Bölling			
Angle	±1°							
Angle	Tol	Id.	Modification	Date	Name			

ASSMANN WSW-No.
ACOV-SUB-37NB13

Drawing-No.
ASS_5254_CO rev01
 Replace Sheet 4/5



TECHNICAL SPECIFICATIONS

Material: Plastic (PA), UL94-HB
 Colour: Light Grey
 Operating Temperature: -55°C to +110°C
 Thumbscrews: UNC 4-40
 No. of contacts: 09-15-25-37-50

Item	QTY	Part description
1	1	Plastic Cover
2	2	EPS 3x8 Self Tapping Screw
3	1	Cable Clamp
4	1	Plastic Insert
5	2	Jackscrews UNC4-40x51mm

RoHS compliant
 Unit: mm

Scale	Free				Date	Name	Customer-No.
TOLERANCE					Drawn	17.08.2017	S. Bölling
0~6	±0.10				Approved	17.08.2017	S. Bölling
6~30	±0.20						
30~120	±0.30						
120~400	±0.50	1	Update Dimension (page 5)	01.04.2019	M Rosander		
DIM	Tol	Ⓢ	Drawn	17.08.2017	S. Bölling	ASSMANN WSW-No. ACOV-SUB-50NB13	
Angle	±1°					Drawing-No. ASS_5254_CO	rev01
Angle	Tol	Id.	Modification	Date	Name	Replace	Sheet 5/5

