

THIS DRAWING IS UNPUBLISHED.

RELEASED FOR PUBLICATION

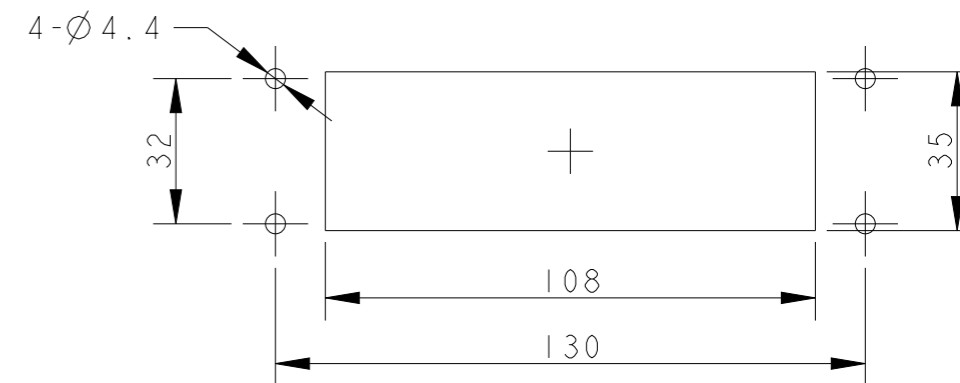
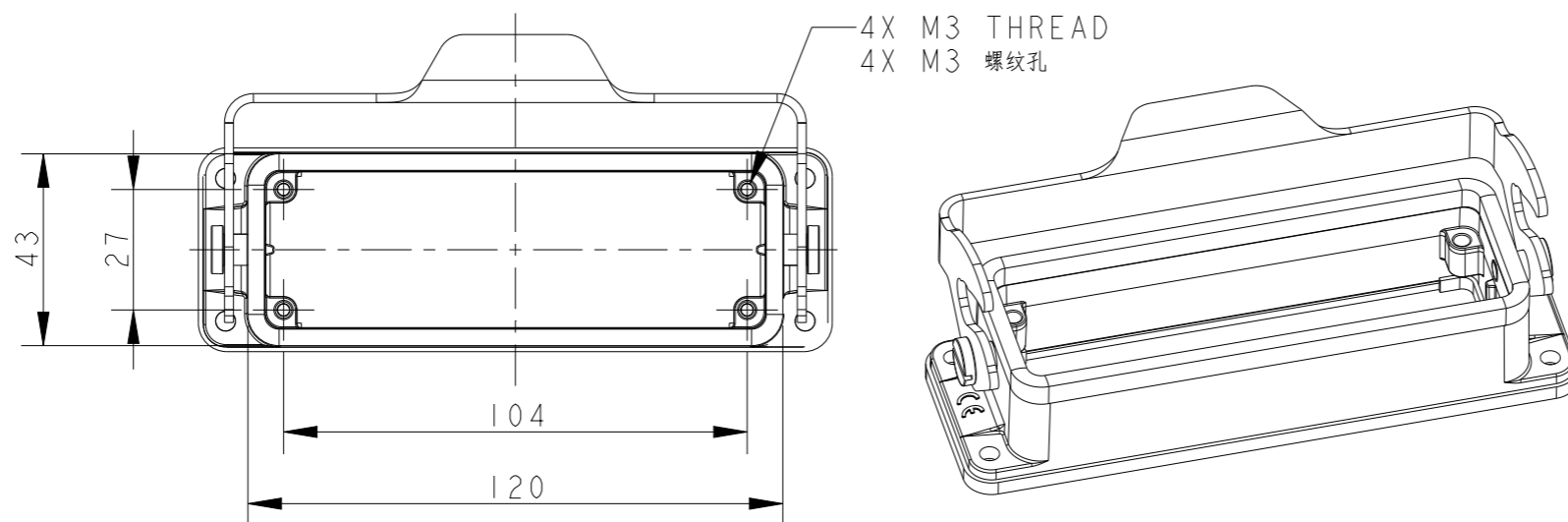
20

© COPYRIGHT 20 BY -

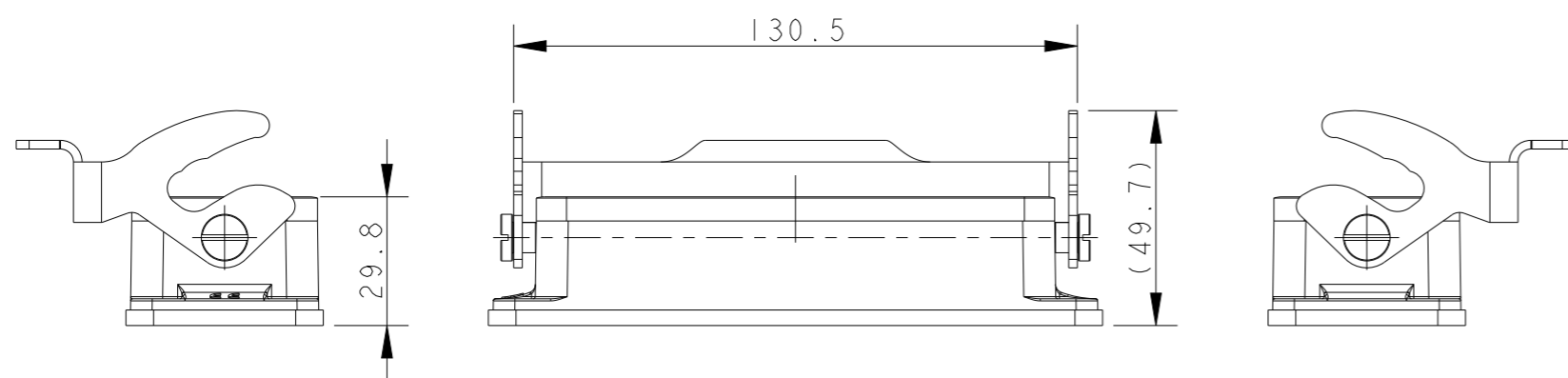
ALL RIGHTS RESERVED.

REVISIONS

P	LTR	DESCRIPTION	DATE	DWN	APVD
	A	INITIAL RELEASE	03JUL2015	DL	CW
	B	ECR-20-014876	23JUL2021	WQR	CW



PANNEL CUT OUT

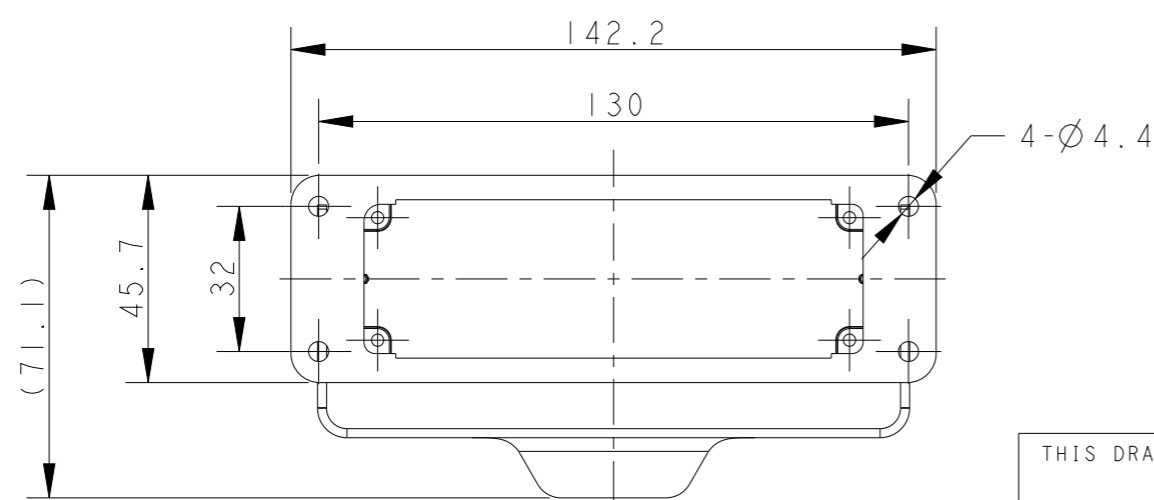


NOTES:

- 1. TECHNICAL CHARACTERISTICS:
 BODY MATERIAL: DIE CAST ALUMINIUM ALLOY
 SURFACE TREATMENT: POWDER-COATED, GRAY
 DEGREE OF PROTECTION: IP65 (MATED)

注释:

- 1. 技术参数:
 主体材料: 铝合金
 表面处理: 粉末喷涂, 灰色
 防护等级: IP65(配合)



T1500243000-000	H24B-AG-LB
ASSEMBLY PART NUMBER	ASSEMBLY PART DESCRIPTION

THIS DRAWING IS A CONTROLLED DOCUMENT.		DWN 03JUL2015 DAVID LI	STE TE Connectivity	
DIMENSIONS: mm		CHK 03JUL2015 CHRIS WANG		
TOLERANCES UNLESS OTHERWISE SPECIFIED:		APVD 03JUL2015 XU XIANG	NAME H24B-AG-LB	
0 PLC ±-		PRODUCT SPEC	108-137013	
1 PLC ±-		APPLICATION SPEC	114-137013	
2 PLC ±-		WEIGHT	SIZE A3	CAGE CODE -
3 PLC ±-		CUSTOMER DRAWING	DRAWING NO C-T1500243000000	
4 PLC ±-			SCALE 3:5	SHEET 1 OF 1
ANGLES ±-				REV B
FINISH -				
MATERIAL TBD				