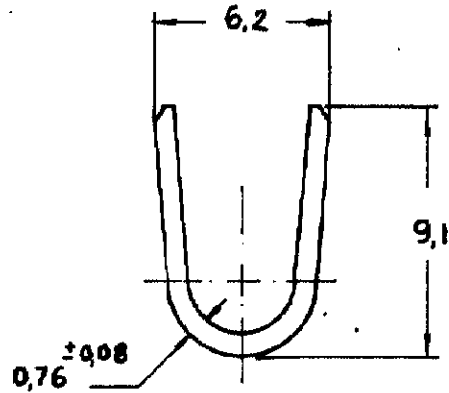
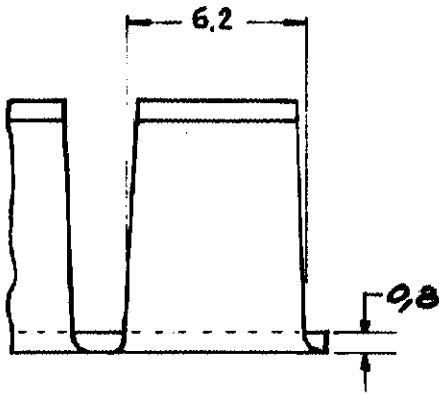


DRAWING MADE IN THIRD ANGLE PROJECTION

LOC *AP* DIST


© Copyright 1976 by AMP DO BRASIL - S. P. All International Rights Reserved. AMP Incorporated products covered by U. S. and Foreign patents and/or patents pending.

REVISIONS			
LTR	DESCRIPTION	DATE	APPROVED
<i>C</i>	<i>AMP-TRADE MARK ADDED.</i>		



FINISH	MATERIAL	PART NO
	<i>LATÃO</i>	<i>626315-2</i>
<i>— 1 —</i>	<i>LATÃO</i>	<i>626315-1</i>

UNLESS OTHERWISE SPECIFIED DIMENSIONS ARE IN INCHES. TOLERANCES ON: DECIMALS $\pm 0.5$ mm ANGLES $\pm$	CONTRACT NO
	DR <i>Kjellberg 17/02/76</i>
MATERIAL  <i>TABELA</i>	CHK
	APPD
FINISH  <i>TABELA</i>	APPD
	WIRE RANGE <i>15000 - 25000 CMA</i>

TOLERANCE	 AMP DO BRASIL S. Paulo - Brasil	
NAME	<i>STANDARD SPLICE</i>	
SIZE	LOC AP.	DRAWING NO
<i>A</i>		<i>626315</i>
SCALE <i>4:1</i>	SHEET <i>1-1</i>	