



ATECC608B

CryptoAuthentication™ Device Summary Data Sheet

Features

- Cryptographic Co-Processor with Secure Hardware-Based Key Storage:
 - Protected storage for up to 16 keys, certificates or data
- Hardware Support for Asymmetric Sign, Verify, Key Agreement:
 - ECDSA: FIPS186-3 Elliptic Curve Digital Signature
 - ECDH: FIPS SP800-56A Elliptic Curve Diffie-Hellman
 - NIST Standard P256 Elliptic Curve Support
- Hardware Support for Symmetric Algorithms:
 - SHA-256 & HMAC Hash including off-chip context save/restore
 - AES-128: Encrypt/Decrypt, Galois Field Multiply for GCM
- Networking Key Management Support:
 - Turnkey PRF/HKDF calculation for TLS 1.2 & 1.3
 - Ephemeral key generation and key agreement in SRAM
 - Small message encryption with keys entirely protected
- Secure Boot Support:
 - Full ECDSA code signature validation, optional stored digest/signature
 - Optional communication key disablement prior to secure boot
 - Encryption/Authentication for messages to prevent on-board attacks
- Internal High-Quality NIST SP 800-90A/B/C Random Number Generator (RNG)
- Two High-Endurance Monotonic Counters
- Unique 72-Bit Serial Number
- Two Interface Options Available:
 - High-Speed Single Wire Interface with One GPIO Pin
 - 1 MHz Standard I²C Interface
- 1.8V to 5.5V IO Levels, 2.0V to 5.5V Supply Voltage
- Two Temperature Ranges Available:
 - Standard Industrial Temperature Range: -40°C to +85°C
 - Extended Industrial Temperature Range: -40°C to +100°C
- <150 nA Sleep Current
- Packaging Options
 - 8-pad UDFN, 8-lead SOIC and 3-Lead Contact Package Options
 - Die-on-Tape and Reel and WLCSP for Qualified Customers (Contact Microchip Sales)

Applications

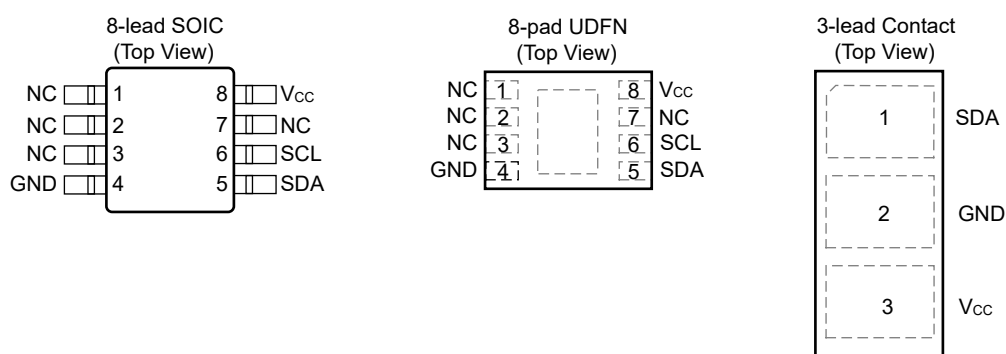
- IoT network endpoint key management & exchange
- Encryption for small messages and PII data
- Secure Boot and Protected Download
- Ecosystem Control, Anti-cloning

Pin Configuration and Pinouts

Table 1. Pin Configuration

Pin	Function I ² C Interface	Function SWI Interface
NC	No Connect	No Connect
GND	Ground	Ground
SDA	Serial Data	Serial Data
SCL	Serial Clock Input	GPIO
VCC	Power Supply	Power Supply

Figure 1. Package Types



Note: The UDFN backside paddle is recommended to be connected to GND.

Table of Contents

Features.....	1
Applications.....	1
1. Introduction.....	4
1.1. Applications.....	4
1.2. Device Features.....	4
1.3. Cryptographic Operation.....	5
Pin Configuration and Pinouts.....	2
2. Electrical Characteristics.....	6
2.1. Absolute Maximum Ratings.....	6
2.2. Reliability.....	6
2.3. AC Parameters: All I/O Interfaces.....	6
2.3.1. AC Parameters: Single-Wire Interface.....	7
2.3.2. AC Parameters: I ² C Interface.....	9
2.4. DC Parameters: All I/O Interfaces.....	10
2.4.1. V _{IH} and V _{IL} Specifications.....	10
3. Compatibility.....	12
3.1. Microchip ATECC608A.....	12
3.2. Microchip ATECC508A.....	12
3.3. Microchip ATSHA204A, ATECC108A.....	13
4. Package Marking Information.....	14
5. Package Drawings.....	15
5.1. 8-lead SOIC.....	15
5.2. 8-pad UDFN.....	18
5.3. 3 Lead Contact.....	21
6. Revision History.....	23
The Microchip Website.....	24
Product Change Notification Service.....	24
Customer Support.....	24
Product Identification System.....	25
Microchip Devices Code Protection Feature.....	26
Legal Notice.....	26
Trademarks.....	26
Quality Management System.....	27
Worldwide Sales and Service.....	28

1. Introduction

The ATECC608B is a member of the Microchip CryptoAuthentication™ family of high-security cryptographic devices, which combine world-class, hardware-based key storage with hardware cryptographic accelerators to implement various authentication and encryption protocols.

The ATECC608B provides security enhancements over that of the ATECC608A, while providing complete backwards compatibility. All configuration settings, commands, packages and functionality of the ATECC608A are still available in the ATECC608B, making migration from the ATECC608A a simple process. For new designs, it is recommended that customers start directly with the ATECC608B device. For designs that are being upgraded and currently use the ATECC508A or the ATECC608A, it is recommended that they move to the ATECC608B. For designs not planned to be upgraded, it is recommended that customers review their designs to see if they would benefit from the enhanced security of the ATECC608B. For assistance with migrating a design to the ATECC608B, see the [Migrations References](#) section.

For more information on compatibility with other Microchip CryptoAuthentication products, please see [Section 3. Compatibility](#).

Migration References:

1. [AN3539](#): Provides guidance on migrating from the ATECC508A to the ATECC608B
2. [AN2237](#): Provides guidance on migrating from the ATECC608A to the ATECC608B

1.1 Applications

The ATECC608B has a flexible command set that allows use in many applications, including the following:

- **Network/IoT Node Endpoint Security**
Manages node identity authentication and session key creation and management. Supports the entire ephemeral session key-generation flow for multiple protocols, including TLS 1.2 (and earlier) and TLS 1.3.
- **Secure Boot**
Supports the MCU host by validating code digests and optionally enabling communication keys on success. Various configurations to offer enhanced performance are available.
- **Small Message Encryption**
Contains a hardware AES engine to encrypt and/or decrypt small messages or data such as PII information. Supports the AES-ECB mode directly. Other modes can be implemented with the help of the host microcontroller. There is an additional GFM calculation function to support AES-GCM.
- **Key Generation for Software Download**
Supports local protected key generation for downloaded images. Both broadcast of one image to many systems, each with the same decryption key, or point-to-point download of unique images per system are supported.
- **Ecosystem Control and Anti-Counterfeiting**
Validates that a system or component is authentic and came from the OEM shown on the nameplate.

1.2 Device Features

The ATECC608B includes an EEPROM array which can be used for storage of up to 16 keys, certificates, miscellaneous read/write, read-only or secret data, consumption logging and security configurations. Access to the various sections of memory can be restricted in a variety of ways and then the configuration can be locked to prevent changes.

Access to the device is made through a standard I²C Interface at speeds of up to 1 Mbps. The interface is compatible with standard Serial EEPROM I²C interface specifications. The device also supports a Single-Wire Interface (SWI), which can reduce the number of GPIOs required on the system processor, and/or reduce the number of pins on connectors. If the Single-Wire Interface is enabled, the remaining pin is available for use as a GPIO, an authenticated output or tamper input.

Each ATECC608B ships with an ensured unique 72-bit serial number. Using the cryptographic protocols supported by the device, a host system or remote server can verify a signature of the serial number to prove that the serial

number is authentic and not a copy. Serial numbers are often stored in a standard Serial EEPROM; however, these can be easily copied with no way for the host to know if the serial number is authentic or if it is a clone.

The ATECC608B features a wide array of defense mechanisms specifically designed to prevent physical attacks on the device itself, or logical attacks on the data transmitted between the device and the system. Hardware restrictions on the ways in which keys are used or generated provide further defense against certain styles of attack.

1.3 Cryptographic Operation

The ATECC608B implements a complete asymmetric (public/private) key cryptographic signature solution based upon Elliptic Curve Cryptography and the ECDSA signature protocol. The device features hardware acceleration for the NIST standard P256 prime curve and supports the complete key life cycle from high quality private key generation, to ECDSA signature generation, ECDH key agreement and ECDSA public key signature verification.

The hardware accelerator can implement such asymmetric cryptographic operations from ten to one-thousand times faster than software running on standard microprocessors, without the usual high risk of key exposure that is endemic to standard microprocessors.

The ATECC608B also implements AES-128, SHA256 and multiple SHA derivatives such as HMAC(SHA), PRF (the key derivation function in TLS) and HKDF in hardware. Support is included for the Galois Field Multiply (aka Ghash) to facilitate GCM encryption/decryption/authentication.

The device is designed to securely store multiple private keys along with their associated public keys and certificates. The signature verification command can use any stored or an external ECC public key. Public keys stored within the device can be configured to require validation via a certificate chain to speed up subsequent device authentications.

Random private key generation is supported internally within the device to ensure that the private key can never be known outside of the device. The public key corresponding to a stored private key is always returned when the key is generated and it may optionally be computed at a later time.

The ATECC608B can generate high-quality random numbers using its internal random number generator. This sophisticated function includes runtime health testing designed to ensure that the values generated from the internal noise source contain sufficient entropy at the time of use. The random number generator is designed to meet the requirements documented in the NIST 800-90A, 800-90B and 800-90C documents.

These random numbers can be employed for any purpose, including as part of the device's cryptographic protocols. Because each random number is ensured to be essentially unique from all numbers ever generated on this or any other device, their inclusion in the protocol calculation ensures that replay attacks (i.e., re-transmitting a previously successful transaction) will always fail.

The ATECC608B also supports a standard hash-based challenge-response protocol to allow its use across a wide variety of additional applications. In its most basic instantiation, the system sends a challenge to the device, which combines that challenge with a secret key via the MAC command and then sends the response back to the system. The device uses a SHA-256 cryptographic hash algorithm to make that combination so that an observer on the bus cannot derive the value of the secret key. At the same time, the recipient can verify that the response is correct by performing the same calculation with a stored copy of the secret on the recipient's system. There are a wide variety of variations possible on this symmetric challenge/response theme.

2. Electrical Characteristics

2.1 Absolute Maximum Ratings

Operating Temperature	-40°C to +100°C
Storage Temperature	-65°C to +150°C
Maximum Operating Voltage	6.0V
DC Output Current	5.0 mA
Voltage on any pin -0.5V to (V _{CC} + 0.5V)	-0.5V to (V _{CC} + 0.5V)
ESD Ratings:	
Human Body Model(HBM) ESD	>4kV
Charge Device Model(CDM) ESD	>1kV

Note: Stresses beyond those listed under “Absolute Maximum Ratings” may cause permanent damage to the device. This is a stress rating only and functional operation of the device at these or any other conditions beyond those indicated in the operational sections of this specification are not implied. Exposure to absolute maximum rating conditions for extended periods may affect device reliability.

2.2 Reliability

The ATECC608B is fabricated with Microchip’s high reliability CMOS EEPROM manufacturing technology.

Table 2-1. EEPROM Reliability

Parameter	Min.	Typ.	Max.	Units
Write Endurance at +85°C (Each Byte)	400,000	—	—	Write Cycles
Data Retention at +55°C	10	—	—	Years
Data Retention at +35°C	30	50	—	Years
Read Endurance	Unlimited			Read Cycles

2.3 AC Parameters: All I/O Interfaces

Figure 2-1. AC Timing Diagram: All Interfaces

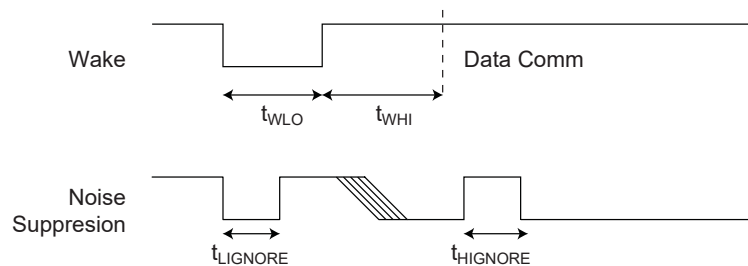


Table 2-2. AC Parameters: All I/O Interfaces

Parameter	Sym.	Direction	Min.	Typ.	Max.	Units	Conditions
Power-Up Delay ⁽²⁾	t _{PU}	To Crypto Device	100	—	—	μs	Minimum time between V _{CC} > V _{CC} min prior to start of t _{WLO} .
Wake Low Duration	t _{WLO}	To Crypto Device	60	—	—	μs	
Wake High Delay to Data Comm	t _{WHI}	To Crypto Device	1500	—	—	μs	SDA should be stable high for this entire duration unless polling is implemented. SelfTest is not enabled at power-up.
Wake High Delay when SelfTest is Enabled	t _{WHIST}	To Crypto Device	20	—	—	ms	SDA should be stable high for this entire duration unless polling is implemented.
High-Side Glitch Filter at Active	t _{HIGNORE_A}	To Crypto Device	45 ⁽¹⁾	—	—	ns	Pulses shorter than this in width will be ignored by the device, regardless of its state when active.
Low-Side Glitch Filter at Active	t _{LIGNORE_A}	To Crypto Device	45 ⁽¹⁾	—	—	ns	Pulses shorter than this in width will be ignored by the device, regardless of its state when active.
Low-Side Glitch Filter at Sleep	t _{LIGNORE_S}	To Crypto Device	15 ⁽¹⁾	—	—	μs	Pulses shorter than this in width will be ignored by the device when in Sleep mode.
Watchdog Time-out	t _{WATCHDOG}	To Crypto Device	0.7	1.3	1.7	s	Time from wake until device is forced into Sleep mode if Config.ChipMode[2] is 0.

Notes:

1. These parameters are characterized, but not production tested.
2. The power-up delay will be significantly longer if power-on self test is enabled in the Configuration zone.

2.3.1 AC Parameters: Single-Wire Interface

Figure 2-2. AC Timing Diagram: Single-Wire Interface

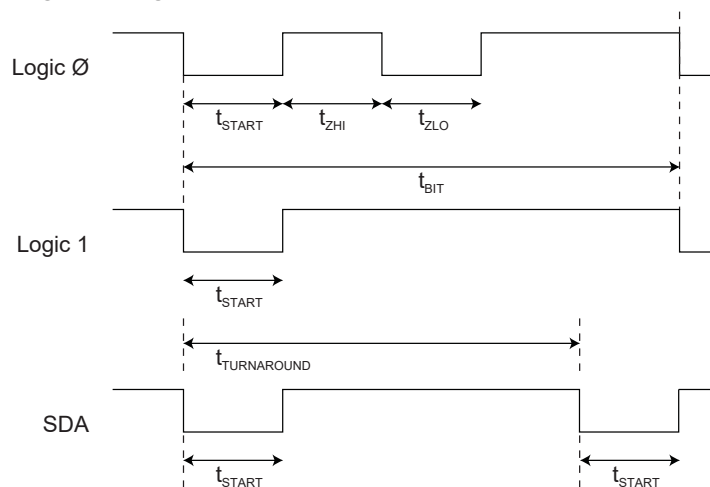


Table 2-3. AC Parameters: Single-Wire Interface

Unless otherwise specified, applicable from T_A = -40°C to +100°C, V_{CC} = +2.0V to +5.5V, C_L = 100 pF.

ATECC608B

Electrical Characteristics

Parameter	Symbol	Direction	Min.	Typ.	Max.	Unit	Conditions
Start Pulse Duration	t _{START}	To Crypto Device	4.10	4.34	4.56	μs	—
		From Crypto Device	4.60	6	8.60	μs	—
Zero Transmission High Pulse	t _{ZHI}	To Crypto Device	4.10	4.34	4.56	μs	—
		From Crypto Device	4.60	6	8.60	μs	—
Zero Transmission Low Pulse	t _{ZLO}	To Crypto Device	4.10	4.34	4.56	μs	—
		From Crypto Device	4.60	6	8.60	μs	—
Bit Time ⁽¹⁾	t _{BIT}	To Crypto Device	37	39	—	μs	If the bit time exceeds t _{TIMEOUT} , ATECC608B may enter Sleep mode.
		From Crypto Device	41	54	78	μs	—
Turn Around Delay	t _{TURNAROUND}	From Crypto Device	64	96	131	μs	ATECC608B will initiate the first low going transition after this time interval following the initial falling edge of the start pulse of the last bit of the transmit flag.
		To Crypto Device	93	—	—	μs	After ATECC608B transmits the last bit of a group, the system must wait this interval before sending the first bit of a flag. It is measured from the falling edge of the start pulse of the last bit transmitted by ATECC608B.
IO Timeout	t _{TIMEOUT}	To Crypto Device	45	65	85	ms	ATECC608B may transition to the Sleep mode if the bus is inactive longer than this duration.

Note:

- t_{START}, t_{ZLO}, t_{ZHI} and t_{BIT} are designed to be compatible with a standard UART running at 230.4 kBaud for both transmit and receive. The UART must be set to seven data bits, no parity and one Stop bit.

2.3.2 AC Parameters: I²C Interface

Figure 2-3. I²C Synchronous Data Timing

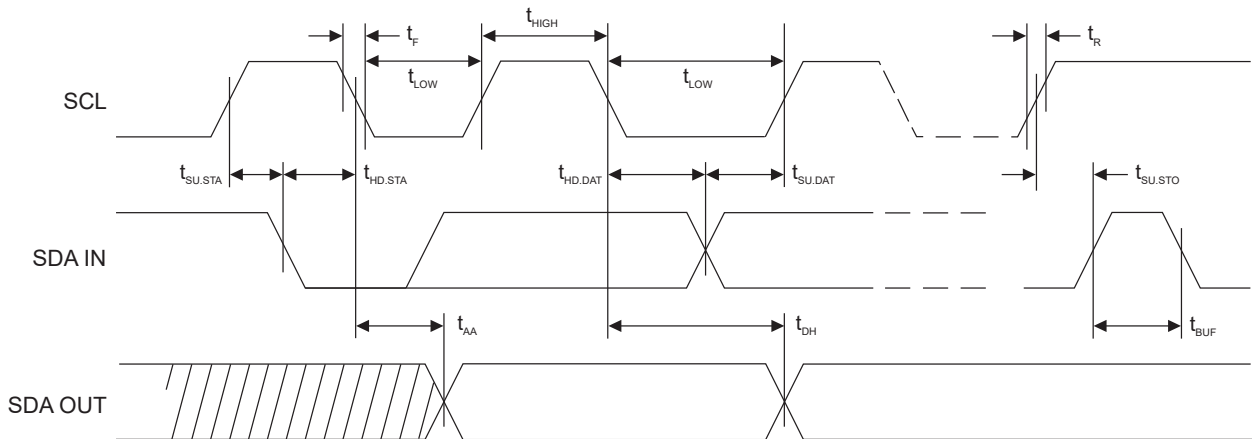


Table 2-4. AC Characteristics of I²C Interface⁽²⁾

Unless otherwise specified, applicable over recommended operating range from $T_A = -40^{\circ}\text{C}$ to $+100^{\circ}\text{C}$, $V_{CC} = +2.0\text{V}$ to $+5.5\text{V}$, $C_L = 1$ TTL Gate and 100 pF.

Parameter	Sym.	Min.	Max.	Units
SCL Clock Frequency	f_{SCL}	0	1	MHz
SCL High Time	t_{HIGH}	400	—	ns
SCL Low Time	t_{LOW}	400	—	ns
Start Setup Time	$t_{\text{SU.STA}}$	250	—	ns
Start Hold Time	$t_{\text{HD.STA}}$	250	—	ns
Stop Setup Time	$t_{\text{SU.STO}}$	250	—	ns
Data In Setup Time	$t_{\text{SU.DAT}}$	100	—	ns
Data In Hold Time	$t_{\text{HD.DAT}}$	0	—	ns
Input Rise Time ¹	t_{R}	—	300	ns
Input Fall Time ¹	t_{F}	—	100	ns
Clock Low to Data Out Valid	t_{AA}	50	550	ns
Data Out Hold Time	t_{DH}	50	—	ns
SMBus Time-Out Delay	t_{TIMEOUT}	25	75	ms
Time bus must be free before a new transmission can start ¹	t_{BUF}	500	—	ns

Notes:

1. Values are based on characterization and are not tested.
2. AC measurement conditions:
 - R_L (connects between SDA and V_{CC}): 1.2 k Ω (for $V_{CC} = +2.0\text{V}$ to $+5.0\text{V}$)
 - Input pulse voltages: $0.3V_{CC}$ to $0.7V_{CC}$
 - Input rise and fall times: ≤ 50 ns
 - Input and output timing reference voltage: $0.5V_{CC}$

2.4 DC Parameters: All I/O Interfaces

Table 2-5. DC Parameters on All I/O Interfaces

Parameter	Sym.	Min.	Typ.	Max.	Units	Conditions
Ambient Operating Temperature	T _A	-40	—	+85	°C	Standard Industrial Temperature Range
		-40	—	+100	°C	Extended Industrial Temperature Range
Power Supply Voltage	V _{CC}	2.0	—	5.5	V	—
Active Power Supply Current	I _{CC}	—	2	3	mA	Waiting for I/O during I/O transfers or execution of non-ECC commands. Independent of Clock Divider value.
		—	—	14	mA	During ECC command execution. Clock divider = 0x0
		—	—	6	mA	During ECC command execution. Clock divider = 0x5
		—	—	3	mA	During ECC command execution. Clock divider = 0xD
Idle Power Supply Current	I _{IDLE}	—	800	—	μA	When device is in Idle mode, V _{SDA} and V _{SCL} < 0.4V or > V _{CC} - 0.4
Sleep Current	I _{SLEEP}	—	30	150	nA	When device is in Sleep mode, V _{CC} ≤ 3.6V, V _{SDA} and V _{SCL} < 0.4V or > V _{CC} - 0.4, T _A ≤ +55°C
		—	—	2	μA	When device is in Sleep mode. Over full V _{CC} and temperature range.
Output Low Voltage	V _{OL}	—	—	0.4	V	When device is in Active mode, V _{CC} = 2.5 to 5.5V
Output Low Current	I _{OL}	—	—	4	mA	When device is in Active mode, V _{CC} = 2.5 to 5.5V, V _{OL} = 0.4V
Theta JA	Θ _{JA}	—	166	—	°C/W	SOIC (SSH)
		—	173	—	°C/W	UDFN (MAH)
		—	146	—	°C/W	RBH

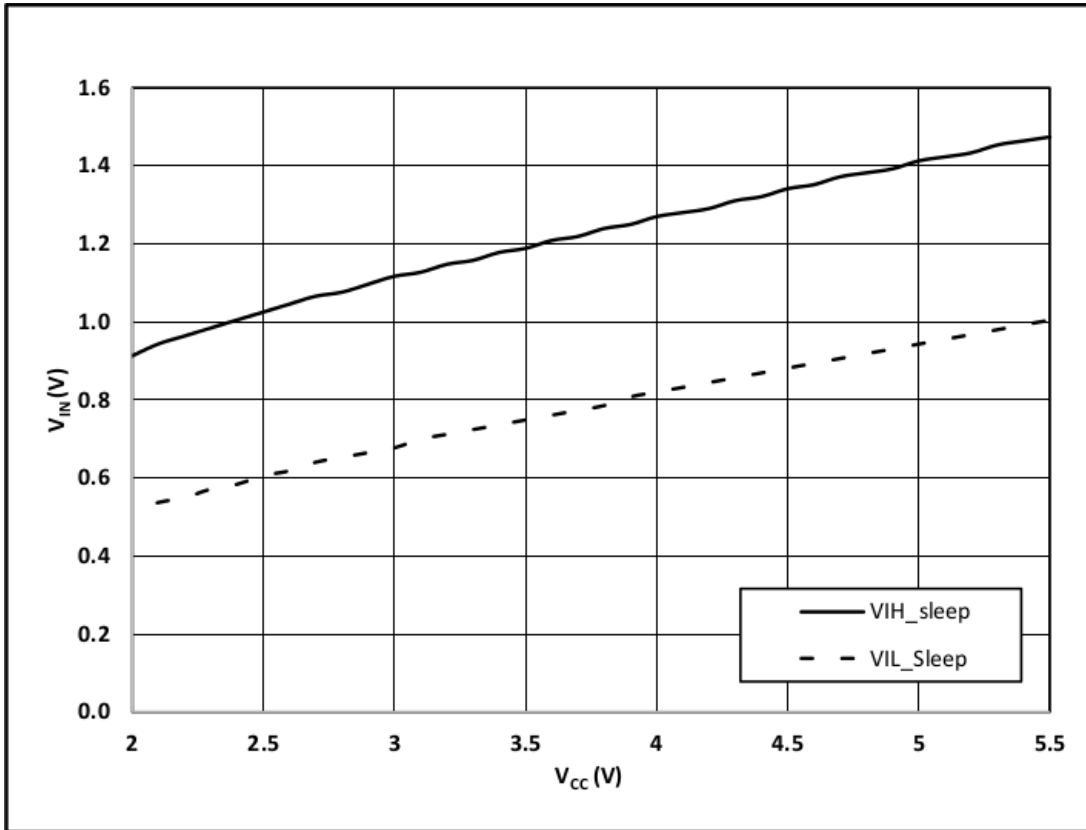
2.4.1 V_{IH} and V_{IL} Specifications

The input levels of the device will vary dependent on the mode and voltage of the device. The input voltage thresholds when in Sleep or Idle mode are dependent on the V_{CC} level as shown in [Figure 2-4](#). When in Sleep or Idle mode the T_TLenable bit has no effect.

Table 2-6. V_{IL}, V_{IH} on All I/O Interfaces (T_TLenable = 0)

Parameter	Sym.	Min.	Typ.	Max.	Units	Conditions
Input Low Voltage	V _{IL}	-0.5	—	0.5	V	When device is active and T _T Lenable bit in Configuration memory is zero; otherwise, see above.
Input High Voltage	V _{IH}	1.5	—	V _{CC} + 0.5	V	When device is active and T _T Lenable bit in Configuration memory is zero; otherwise, see above.

Figure 2-4. V_{IH} and V_{IL} in Sleep and Idle Mode



3. Compatibility

3.1 Microchip ATECC608A

The ATECC608B is designed to provide an enhanced security profile over that of the ATECC608A while maintaining backwards compatibility. The following details the changes and enhancements to the device. No configuration bit fields have changed. Configurations defined for the ATECC608A will be functionally identical with the ATECC608B device.

Corrections, Enhancements

The following items have been corrected or enhanced in the ATECC608B device:

- Two temperature ranges are now available:
 - Standard Industrial Temperature Range: -40°C to +85°C
 - Standard Industrial Temperature Range: -40°C to +100°C
- Operating at a low I²C Frequency with multiple devices on the bus will no longer create a bus contention issue.
- Modifications to Command Timings for *Verify*, *SecureBoot*, *Lock* and *Read* commands.
- New Packaging Options: 3-Lead Contact Package and WLCSP for qualified customers. (Contact Microchip Sales for the WLCSP Option.)

3.2 Microchip ATECC508A

The ATECC608B is designed to be fully compatible with the ATECC508A devices with the limited exception of the functions listed below. If the ATECC608B is properly configured, software written for the ATECC508A will work with the ATECC608B without any required changes, again with the exception of the functions listed below.

Note: Most elements of the configuration zone in the ATECC608B are identical in both location and value with the ATECC508A. However, the initial values that had been stored in the LastKeyUse field may need to be changed to conform to the new definition of those bytes which can be found in this document. That field contained the initial count for the Slot 15 limited use function which is supported in the ATECC608B via the monotonic counters.



The execution times of commands have changed between the ATECC608B and the ATECC508A. These changes will not cause an issue if polling has been implemented. If fixed timing has been used, this must be evaluated and updated as required.

New Features in ATECC608B vs. ATECC508A

- Secure boot function with IO encryption and authentication
- *KDF* command, supporting PRF, HKDF, AES
- *AES* command, including encrypt/decrypt
- GFM calculation function for GCM AEAD mode of AES
- Updated NIST SP800-90 A/B/C Random Number Generator
- Flexible *SHA/HMAC* command with context save/restore
- *SHA* command execution time significantly reduced
- Volatile Key Permitting to prevent device transfer
- Transport Key Locking to protect programmed devices during delivery
- Counter Limit Match function
- Ephemeral key generation in SRAM, also supported with ECDH and KDF
- *Verify* command output can be validated with a MAC
- Encrypted output for ECDH

- Added self test command, optional automatic power-on self test
- Unaligned public key for built-in X.509 cert key validation
- Optional power reduction at increased execution time
- Programmable I²C address after data (secret) zone lock

Features Eliminated in ATECC608B vs. ATECC508A

- HMAC command removed, replaced via new more powerful SHA command
- OTP consumption mode eliminated, now read only
- Pause command eliminated along with related Selector function in UpdateExtra
- Slot 15 special limited use eliminated, replaced with standard monotonic counter limited use
- SHA command no longer uses TempKey during the digest calculation and the result in TempKey is unchanged throughout the SHA operation. TempKey can however still be used to initialize the SHA for the HMAC_Start or to store the final digest.

3.3 Microchip ATSHA204A, ATECC108A

The ATECC608B is generally compatible with all ATSHA204/A and ATECC108/A devices. If properly configured, it can be used in most situations where these devices are currently employed. For ATSHA204A and ATECC108A compatibility restrictions, see the ATECC508A data sheet.

4. Package Marking Information

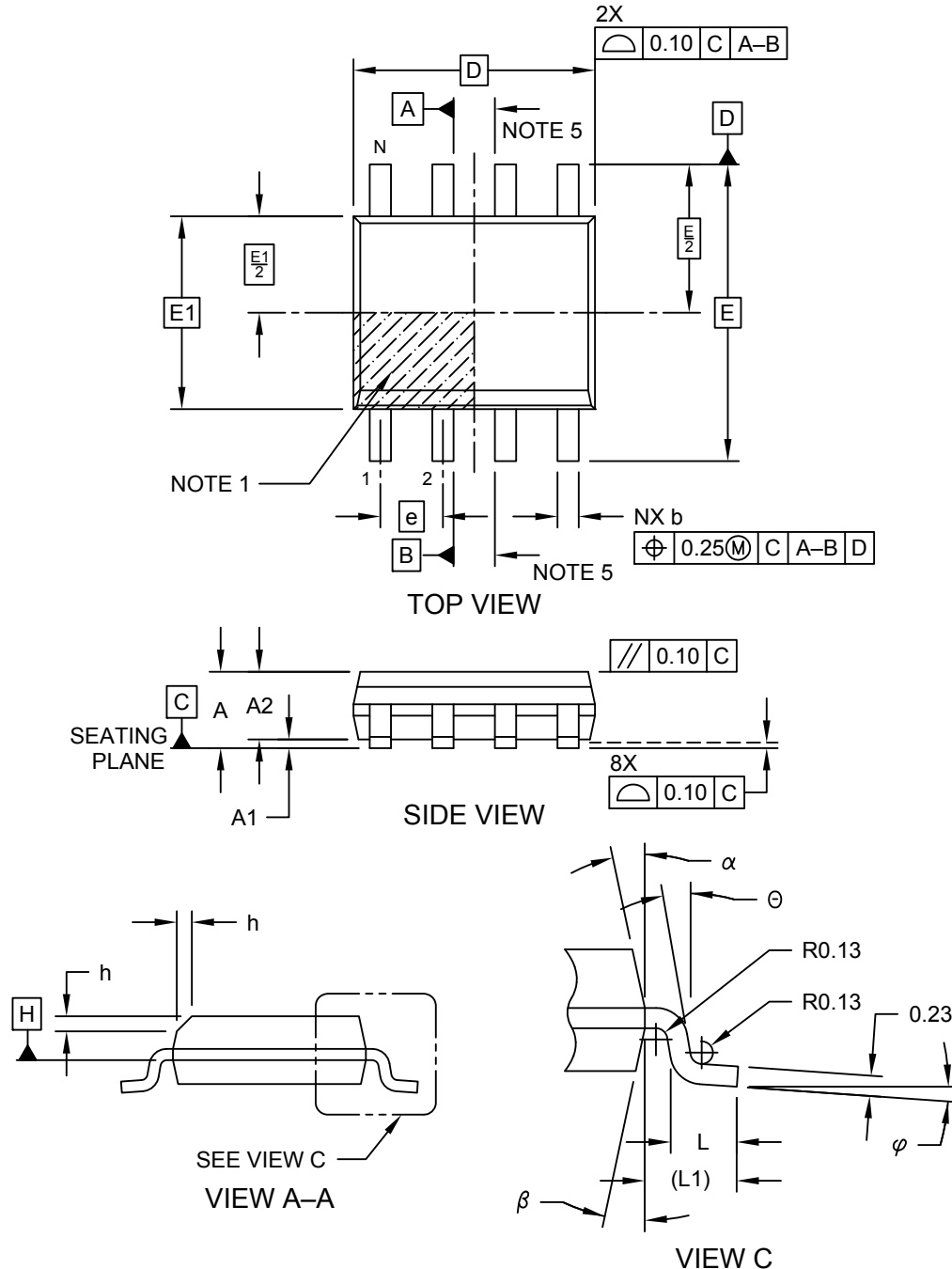
As part of Microchip's overall security features, the part marking for all crypto devices is intentionally vague. The marking on the top of the package does not provide any information as to the actual device type or the manufacturer of the device. The alphanumeric code on the package provides manufacturing information and will vary with assembly lot. The packaging mark should not be used as part of any incoming inspection procedure.

5. Package Drawings

5.1 8-lead SOIC

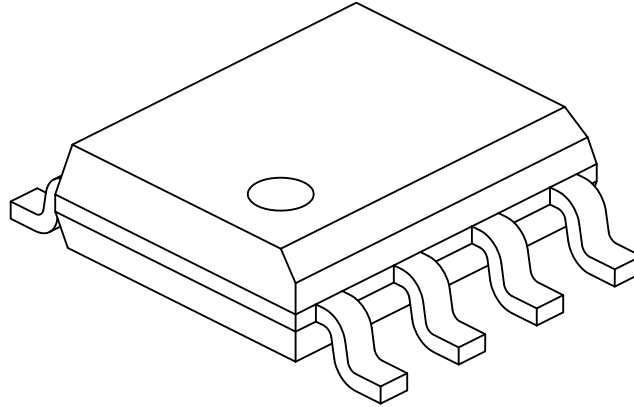
**8-Lead Plastic Small Outline - Narrow, 3.90 mm (.150 In.) Body [SOIC]
 Atmel Legacy Global Package Code SWB**

Note: For the most current package drawings, please see the Microchip Packaging Specification located at <http://www.microchip.com/packaging>



8-Lead Plastic Small Outline - Narrow, 3.90 mm (.150 In.) Body [SOIC]
Atmel Legacy Global Package Code SWB

Note: For the most current package drawings, please see the Microchip Packaging Specification located at <http://www.microchip.com/packaging>



Dimension Limits	Units	MILLIMETERS		
		MIN	NOM	MAX
Number of Pins	N	8		
Pitch	e	1.27 BSC		
Overall Height	A	-	-	1.75
Molded Package Thickness	A2	1.25	-	-
Standoff §	A1	0.10	-	0.25
Overall Width	E	6.00 BSC		
Molded Package Width	E1	3.90 BSC		
Overall Length	D	4.90 BSC		
Chamfer (Optional)	h	0.25	-	0.50
Foot Length	L	0.40	-	1.27
Footprint	L1	1.04 REF		
Foot Angle	φ	0°	-	8°
Lead Thickness	c	0.17	-	0.25
Lead Width	b	0.31	-	0.51
Mold Draft Angle Top	α	5°	-	15°
Mold Draft Angle Bottom	β	5°	-	15°

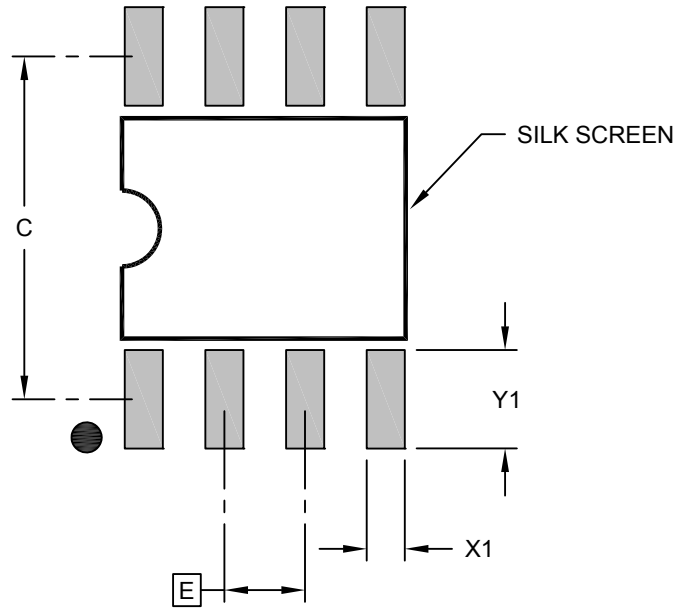
Notes:

- Pin 1 visual index feature may vary, but must be located within the hatched area.
- § Significant Characteristic
- Dimensions D and E1 do not include mold flash or protrusions. Mold flash or protrusions shall not exceed 0.15mm per side.
- Dimensioning and tolerancing per ASME Y14.5M
 BSC: Basic Dimension. Theoretically exact value shown without tolerances.
 REF: Reference Dimension, usually without tolerance, for information purposes only.
- Datums A & B to be determined at Datum H.

Microchip Technology Drawing No. C04-057-SWB Rev E Sheet 2 of 2

8-Lead Plastic Small Outline - Narrow, 3.90 mm (.150 In.) Body [SOIC]
Atmel Legacy Global Package Code SWB

Note: For the most current package drawings, please see the Microchip Packaging Specification located at <http://www.microchip.com/packaging>



RECOMMENDED LAND PATTERN

Dimension Limits	Units	MILLIMETERS		
		MIN	NOM	MAX
Contact Pitch	E	1.27 BSC		
Contact Pad Spacing	C		5.40	
Contact Pad Width (X8)	X1			0.60
Contact Pad Length (X8)	Y1			1.55

Notes:

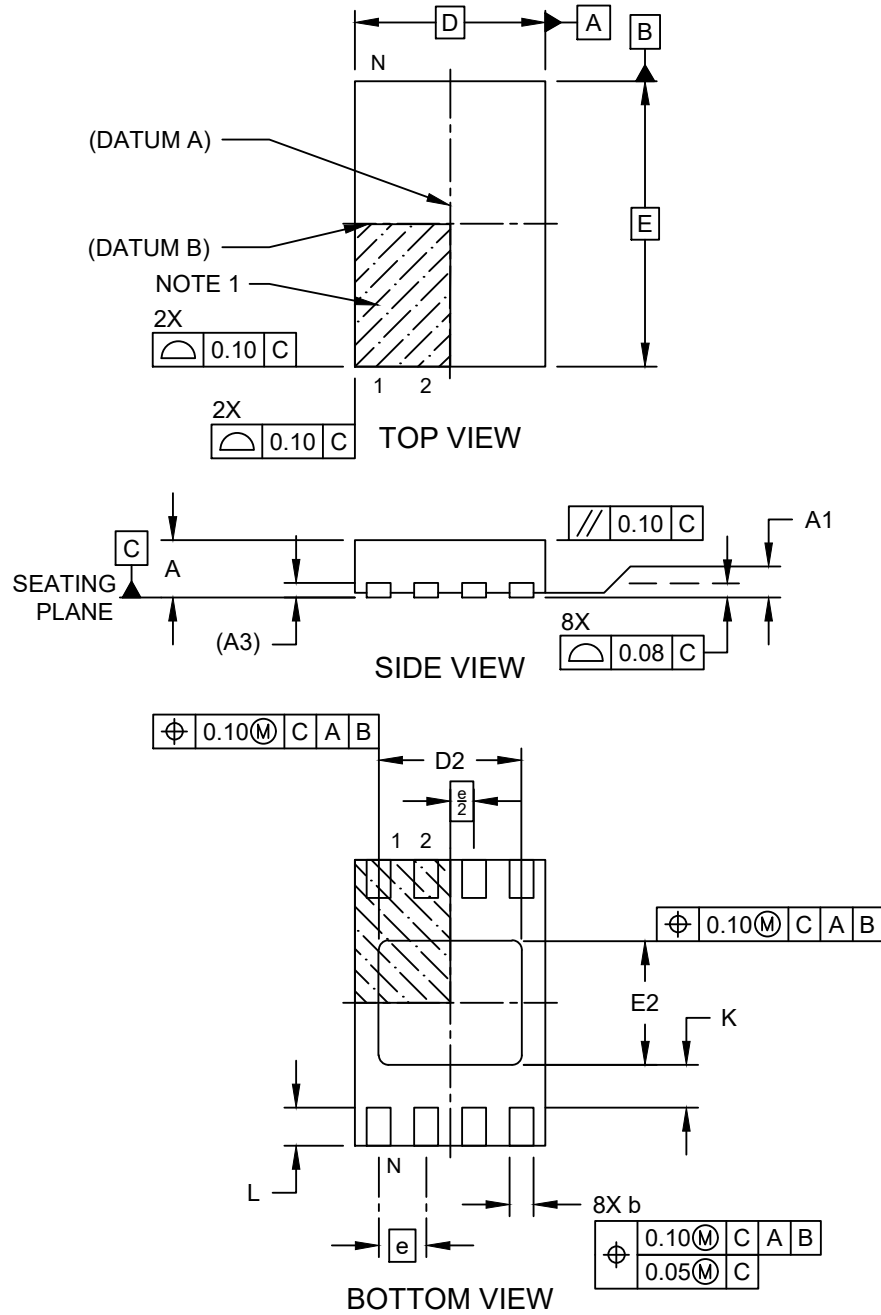
1. Dimensioning and tolerancing per ASME Y14.5M
 BSC: Basic Dimension. Theoretically exact value shown without tolerances.

Microchip Technology Drawing C04-2057-SWB Rev E

5.2 8-pad UDFN

**8-Lead Ultra Thin Plastic Dual Flat, No Lead Package (Q4B) - 2x3 mm Body [UDFN]
 Atmel Legacy Global Package Code YNZ**

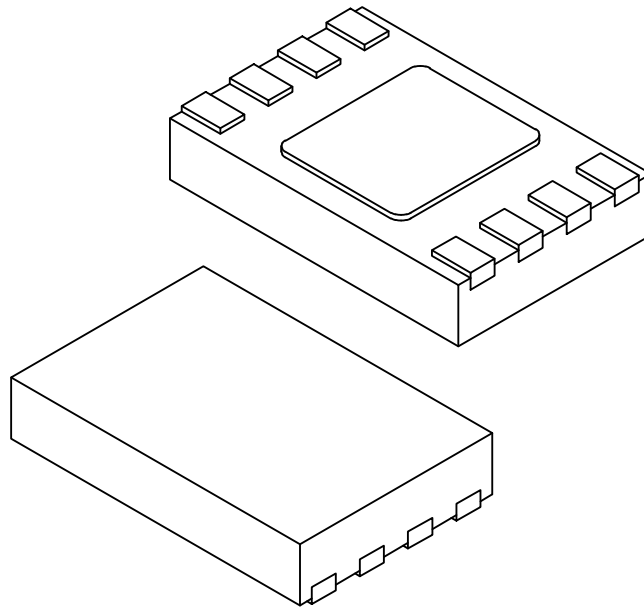
Note: For the most current package drawings, please see the Microchip Packaging Specification located at <http://www.microchip.com/packaging>



Microchip Technology Drawing C04-21355-Q4B Rev B Sheet 1 of 2

**8-Lead Ultra Thin Plastic Dual Flat, No Lead Package (Q4B) - 2x3 mm Body [UDFN]
Atmel Legacy Global Package Code YNZ**

Note: For the most current package drawings, please see the Microchip Packaging Specification located at <http://www.microchip.com/packaging>



Dimension Limits	Units	MILLIMETERS		
		MIN	NOM	MAX
Number of Terminals	N	8		
Pitch	e	0.50 BSC		
Overall Height	A	0.50	0.55	0.60
Standoff	A1	0.00	0.02	0.05
Terminal Thickness	A3	0.152 REF		
Overall Length	D	2.00 BSC		
Exposed Pad Length	D2	1.40	1.50	1.60
Overall Width	E	3.00 BSC		
Exposed Pad Width	E2	1.20	1.30	1.40
Terminal Width	b	0.18	0.25	0.30
Terminal Length	L	0.35	0.40	0.45
Terminal-to-Exposed-Pad	K	0.20	-	-

Notes:

1. Pin 1 visual index feature may vary, but must be located within the hatched area.
2. Package is saw singulated
3. Dimensioning and tolerancing per ASME Y14.5M

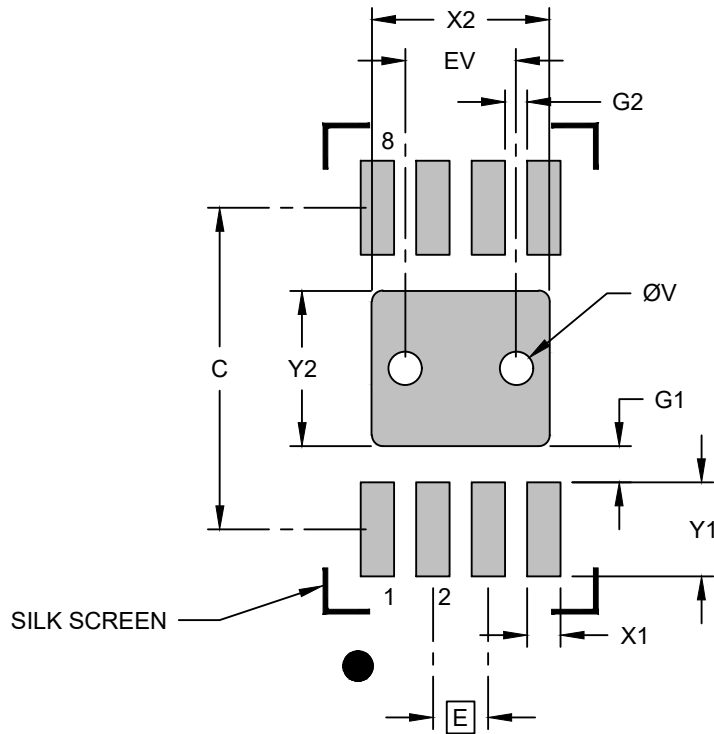
BSC: Basic Dimension. Theoretically exact value shown without tolerances.

REF: Reference Dimension, usually without tolerance, for information purposes only.

Microchip Technology Drawing C04-21355-Q4B Rev B Sheet 2 of 2

8-Lead Ultra Thin Plastic Dual Flat, No Lead Package (Q4B) - 2x3 mm Body [UDFN]
Atmel Legacy Global Package Code YNZ

Note: For the most current package drawings, please see the Microchip Packaging Specification located at <http://www.microchip.com/packaging>



RECOMMENDED LAND PATTERN

Dimension	Units	MILLIMETERS		
		MIN	NOM	MAX
Contact Pitch	E	0.50 BSC		
Optional Center Pad Width	X2			1.60
Optional Center Pad Length	Y2			1.40
Contact Pad Spacing	C		2.90	
Contact Pad Width (X8)	X1			0.30
Contact Pad Length (X8)	Y1			0.85
Contact Pad to Center Pad (X8)	G1	0.33		
Contact Pad to Contact Pad (X6)	G2	0.20		
Thermal Via Diameter	V		0.30	
Thermal Via Pitch	EV		1.00	

Notes:

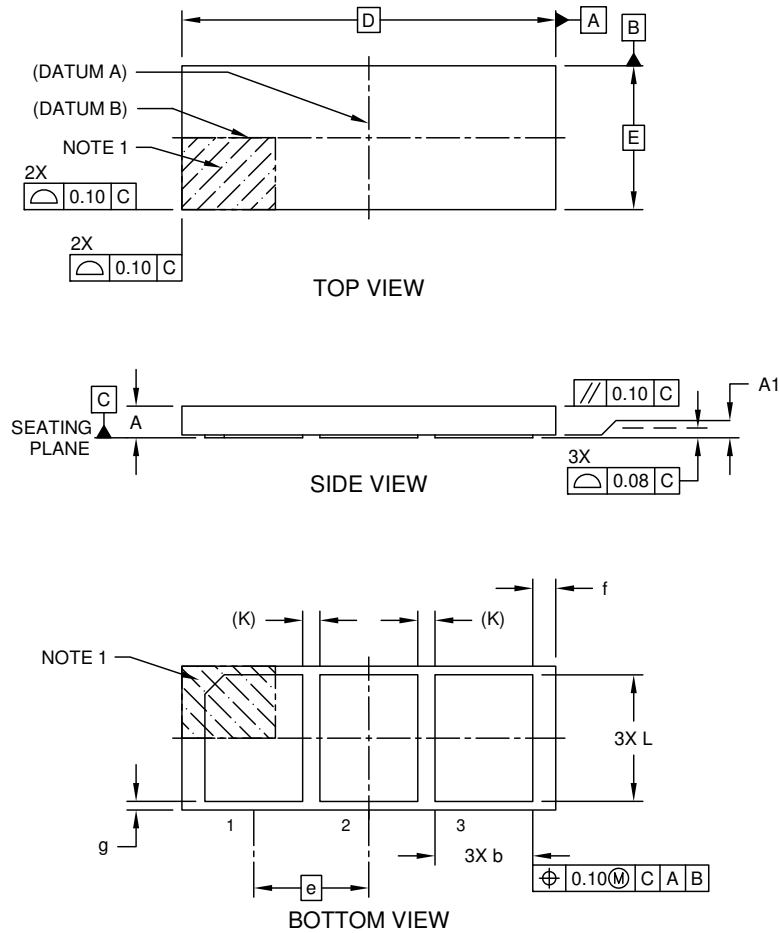
1. Dimensioning and tolerancing per ASME Y14.5M
 BSC: Basic Dimension. Theoretically exact value shown without tolerances.
2. For best soldering results, thermal vias, if used, should be filled or tented to avoid solder loss during reflow process

Microchip Technology Drawing C04-23355-Q4B Rev B

5.3 3 Lead Contact

3-Lead Contact Package (LAB) - 6.54x2.5 mm Body [Contact]
Atmel Legacy Global Package Code RHB

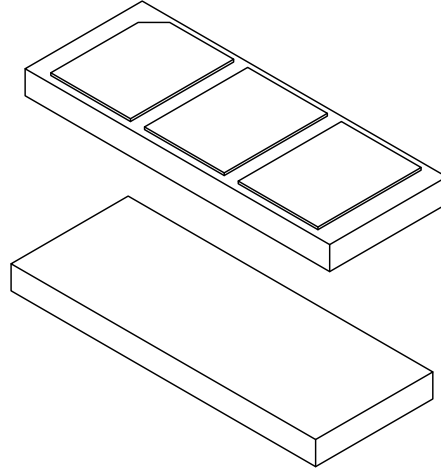
Note: For the most current package drawings, please see the Microchip Packaging Specification located at <http://www.microchip.com/packaging>



Microchip Technology Drawing C04-21303 Rev A Sheet 1 of 2

**3-Lead Contact Package (LAB) - 6.54x2.5 mm Body [Contact]
Atmel Legacy Global Package Code RHB**

Note: For the most current package drawings, please see the Microchip Packaging Specification located at <http://www.microchip.com/packaging>



Dimension Limits	Units	MILLIMETERS		
		MIN	NOM	MAX
Number of Terminals	N	3		
Pitch	e	2.00 BSC		
Overall Height	A	0.45	0.50	0.55
Standoff	A1	0.00	0.02	0.05
Overall Length	D	6.50 BSC		
Overall Width	E	2.50 BSC		
Terminal Width	b	1.60	1.70	1.80
Terminal Length	L	2.10	2.20	2.30
Terminal-to-Terminal Spacing	K	0.30 REF		
Package Edge to Terminal Edge	f	0.30	0.40	0.50
Package Edge to Terminal Edge	g	0.05	0.15	0.25

Notes:

1. Pin 1 visual index feature may vary, but must be located within the hatched area.
2. Dimensioning and tolerancing per ASME Y14.5M
 BSC: Basic Dimension. Theoretically exact value shown without tolerances.
 REF: Reference Dimension, usually without tolerance, for information purposes only.

Microchip Technology Drawing C04-21303 Rev A Sheet 2 of 2

6. Revision History

Revision	Date	Description
A	July 2020	Original Release. Based on ATECC608A Summary Data Sheet Rev B. DS40001977B

The Microchip Website

Microchip provides online support via our website at www.microchip.com/. This website is used to make files and information easily available to customers. Some of the content available includes:

- **Product Support** – Data sheets and errata, application notes and sample programs, design resources, user's guides and hardware support documents, latest software releases and archived software
- **General Technical Support** – Frequently Asked Questions (FAQs), technical support requests, online discussion groups, Microchip design partner program member listing
- **Business of Microchip** – Product selector and ordering guides, latest Microchip press releases, listing of seminars and events, listings of Microchip sales offices, distributors and factory representatives

Product Change Notification Service

Microchip's product change notification service helps keep customers current on Microchip products. Subscribers will receive email notification whenever there are changes, updates, revisions or errata related to a specified product family or development tool of interest.

To register, go to www.microchip.com/pcn and follow the registration instructions.

Customer Support

Users of Microchip products can receive assistance through several channels:

- Distributor or Representative
- Local Sales Office
- Embedded Solutions Engineer (ESE)
- Technical Support

Customers should contact their distributor, representative or ESE for support. Local sales offices are also available to help customers. A listing of sales offices and locations is included in this document.

Technical support is available through the website at: www.microchip.com/support

Product Identification System

To order or obtain information, e.g., on pricing or delivery, refer to the factory or the listed sales office.

PART NO.	-XX	X	XX	-X
Device	Package	Temp Range	I/O Type	Tape and Reel

Device:	ATECC608B: Cryptographic Co-processor with Secure Hardware-based Key Storage	
Package Options ⁽³⁾	SS	8-Lead (0.150" Wide Body), Plastic Gull Wing Small Outline (JEDEC SOIC)
	MA	8-Pad 2 x 3 x 0.6 mm Body, Thermally Enhanced Plastic Ultra Thin Dual Flat NoLead Package (UDFN)
	RB	3RB, 3-Lead 2x5 x 6.5mm Body, 2.0mm pin pitch, Contact Package (Sawn)
Temperature Range	H	Standard Industrial Temperature Range: -40 °C to 85 °C
	V	Extended Industrial Temperature Range: -40 °C to 100 °C
I/O Type	CZ	Single Wire Interface
	DA	I ² C Interface
Tape and Reel Options	B	Tube
	T	Large Reel (Size varies by package type)
	S	Small Reel (Only available for MA Package Type)

Device Ordering Codes

Temperature Range		Description
Standard Industrial	Extended Industrial	
ATECC608B-SSH CZ-T	ATECC608B-SSV CZ-T	8-Lead (0.150" Wide Body), Plastic Gull Wing Small Outline (JEDEC SOIC), Single-Wire, Tape and Reel, 4,000 per Reel
ATECC608B-SSH CZ-B	ATECC608B-SSV CZ-B	8-Lead (0.150" Wide Body), Plastic Gull Wing Small Outline (JEDEC SOIC), Single-Wire, Tube, 100 per Tube
ATECC608B-SSH DA-T	ATECC608B-SSV DA-T	8-Lead (0.150" Wide Body), Plastic Gull Wing Small Outline (JEDEC SOIC), I ² C, Tape and Reel, 4,000 per Reel
ATECC608B-SSH DA-B	ATECC608B-SSV DA-B	8-Lead (0.150" Wide Body), Plastic Gull Wing Small Outline (JEDEC SOIC), I ² C, Tube, 100 per Tube
ATECC608B-MAH CZ-T	ATECC608B-MAV CZ-T	8-Pad 2 x 3 x 0.6 mm Body, Thermally Enhanced Plastic Ultra Thin Dual Flat NoLead Package (UDFN), Single-Wire, Tape and Reel, 15,000 per Reel
ATECC608B-MAH DA-T	ATECC608B-MAV DA-T	8-Pad 2 x 3 x 0.6 mm Body, Thermally Enhanced Plastic Ultra Thin Dual Flat NoLead Package (UDFN), I ² C, Tape and Reel, 15,000 per Reel
ATECC608B-MAH CZ-S	ATECC608B-MAV CZ-S	8-Pad 2 x 3 x 0.6 mm Body, Thermally Enhanced Plastic Ultra Thin Dual Flat NoLead Package (UDFN), Single-Wire, Tape and Reel, 3,000 per Reel
ATECC608B-MAH DA-S	ATECC608B-MAV DA-S	8-Pad 2 x 3 x 0.6 mm Body, Thermally Enhanced Plastic Ultra Thin Dual Flat NoLead Package (UDFN), I ² C, Tape and Reel, 3,000 per Reel
ATECC608B-RBH CZ-T	ATECC608B-RBV CZ-T	Single-Wire, Tape and Reel, 5,000 per Reel, 3-Lead Contact Package
ATECC608B-RBH CZ-B	ATECC608B-RBV CZ-B	Single-Wire, Tube, 56 per Tube, 3-Lead Contact Package

Notes:

1. Tape and Reel identifier only appears in the catalog part number description. This identifier is used for ordering purposes and is not printed on the device package. Check with your Microchip Sales Office for package availability with the Tape and Reel option.
2. Small form-factor packaging options may be available. Please check www.microchip.com/packaging for small-form factor package availability, or contact your local Sales Office.
3. Die-on-Tape and Reel and WLCSP packages are available for qualified customers. Ordering codes for these packages are not shown in this table. Please contact Microchip sales for more information on these package options.

Microchip Devices Code Protection Feature

Note the following details of the code protection feature on Microchip devices:

- Microchip products meet the specification contained in their particular Microchip Data Sheet.
- Microchip believes that its family of products is one of the most secure families of its kind on the market today, when used in the intended manner and under normal conditions.
- There are dishonest and possibly illegal methods used to breach the code protection feature. All of these methods, to our knowledge, require using the Microchip products in a manner outside the operating specifications contained in Microchip's Data Sheets. Most likely, the person doing so is engaged in theft of intellectual property.
- Microchip is willing to work with the customer who is concerned about the integrity of their code.
- Neither Microchip nor any other semiconductor manufacturer can guarantee the security of their code. Code protection does not mean that we are guaranteeing the product as "unbreakable."

Code protection is constantly evolving. We at Microchip are committed to continuously improving the code protection features of our products. Attempts to break Microchip's code protection feature may be a violation of the Digital Millennium Copyright Act. If such acts allow unauthorized access to your software or other copyrighted work, you may have a right to sue for relief under that Act.

Legal Notice

Information contained in this publication regarding device applications and the like is provided only for your convenience and may be superseded by updates. It is your responsibility to ensure that your application meets with your specifications. MICROCHIP MAKES NO REPRESENTATIONS OR WARRANTIES OF ANY KIND WHETHER EXPRESS OR IMPLIED, WRITTEN OR ORAL, STATUTORY OR OTHERWISE, RELATED TO THE INFORMATION, INCLUDING BUT NOT LIMITED TO ITS CONDITION, QUALITY, PERFORMANCE, MERCHANTABILITY OR FITNESS FOR PURPOSE. Microchip disclaims all liability arising from this information and its use. Use of Microchip devices in life support and/or safety applications is entirely at the buyer's risk, and the buyer agrees to defend, indemnify and hold harmless Microchip from any and all damages, claims, suits, or expenses resulting from such use. No licenses are conveyed, implicitly or otherwise, under any Microchip intellectual property rights unless otherwise stated.

Trademarks

The Microchip name and logo, the Microchip logo, Adaptec, AnyRate, AVR, AVR logo, AVR Freaks, BesTime, BitCloud, chipKIT, chipKIT logo, CryptoMemory, CryptoRF, dsPIC, FlashFlex, flexPWR, HELDO, IGLOO, JukeBlox, KeeLoq, Klear, LANCheck, LinkMD, maXStylus, maXTouch, MediaLB, megaAVR, Microsemi, Microsemi logo, MOST, MOST logo, MPLAB, OptoLyzer, PackeTime, PIC, picoPower, PICSTART, PIC32 logo, PolarFire, Prochip Designer, QTouch, SAM-BA, SenGenuity, SpyNIC, SST, SST Logo, SuperFlash, Symmetricom, SyncServer, Tachyon, TempTrackr, TimeSource, tinyAVR, UNI/O, Vectron, and XMEGA are registered trademarks of Microchip Technology Incorporated in the U.S.A. and other countries.

APT, ClockWorks, The Embedded Control Solutions Company, EtherSynch, FlashTec, Hyper Speed Control, HyperLight Load, IntelliMOS, Libero, motorBench, mTouch, Powermite 3, Precision Edge, ProASIC, ProASIC Plus, ProASIC Plus logo, Quiet-Wire, SmartFusion, SyncWorld, Temux, TimeCesium, TimeHub, TimePictra, TimeProvider, Vite, WinPath, and ZL are registered trademarks of Microchip Technology Incorporated in the U.S.A.

Adjacent Key Suppression, AKS, Analog-for-the-Digital Age, Any Capacitor, AnyIn, AnyOut, BlueSky, BodyCom, CodeGuard, CryptoAuthentication, CryptoAutomotive, CryptoCompanion, CryptoController, dsPICDEM, dsPICDEM.net, Dynamic Average Matching, DAM, ECAN, EtherGREEN, In-Circuit Serial Programming, ICSP, INICnet, Inter-Chip Connectivity, JitterBlocker, KleerNet, KleerNet logo, memBrain, Mindi, MiWi, MPASM, MPF, MPLAB Certified logo, MPLIB, MPLINK, MultiTRAK, NetDetach, Omniscient Code Generation, PICDEM, PICDEM.net, PICKit, PICTail, PowerSmart, PureSilicon, QMatrix, REAL ICE, Ripple Blocker, SAM-ICE, Serial Quad I/O, SMART-I.S., SQI, SuperSwitcher, SuperSwitcher II, Total Endurance, TSHARC, USBCheck, VariSense, ViewSpan, WiperLock, Wireless DNA, and ZENA are trademarks of Microchip Technology Incorporated in the U.S.A. and other countries.

SQTP is a service mark of Microchip Technology Incorporated in the U.S.A.

The Adaptec logo, Frequency on Demand, Silicon Storage Technology, and Symmcom are registered trademarks of Microchip Technology Inc. in other countries.

GestIC is a registered trademark of Microchip Technology Germany II GmbH & Co. KG, a subsidiary of Microchip Technology Inc., in other countries.

All other trademarks mentioned herein are property of their respective companies.

© 2020, Microchip Technology Incorporated, Printed in the U.S.A., All Rights Reserved.

ISBN: 978-1-5224-6314-6

Quality Management System

For information regarding Microchip's Quality Management Systems, please visit www.microchip.com/quality.

Worldwide Sales and Service

AMERICAS	ASIA/PACIFIC	ASIA/PACIFIC	EUROPE
<p>Corporate Office 2355 West Chandler Blvd. Chandler, AZ 85224-6199 Tel: 480-792-7200 Tel: 480-792-7277 Technical Support: www.microchip.com/support Web Address: www.microchip.com</p> <p>Atlanta Duluth, GA Tel: 678-957-9614 Fax: 678-957-1455</p> <p>Austin, TX Tel: 512-257-3370</p> <p>Boston Westborough, MA Tel: 774-760-0087 Fax: 774-760-0088</p> <p>Chicago Itasca, IL Tel: 630-285-0071 Fax: 630-285-0075</p> <p>Dallas Addison, TX Tel: 972-818-7423 Fax: 972-818-2924</p> <p>Detroit Novi, MI Tel: 248-848-4000</p> <p>Houston, TX Tel: 281-894-5983</p> <p>Indianapolis Noblesville, IN Tel: 317-773-8323 Fax: 317-773-5453 Tel: 317-536-2380</p> <p>Los Angeles Mission Viejo, CA Tel: 949-462-9523 Fax: 949-462-9608 Tel: 951-273-7800</p> <p>Raleigh, NC Tel: 919-844-7510</p> <p>New York, NY Tel: 631-435-6000</p> <p>San Jose, CA Tel: 408-735-9110 Tel: 408-436-4270</p> <p>Canada - Toronto Tel: 905-695-1980 Fax: 905-695-2078</p>	<p>Australia - Sydney Tel: 61-2-9868-6733</p> <p>China - Beijing Tel: 86-10-8569-7000</p> <p>China - Chengdu Tel: 86-28-8665-5511</p> <p>China - Chongqing Tel: 86-23-8980-9588</p> <p>China - Dongguan Tel: 86-769-8702-9880</p> <p>China - Guangzhou Tel: 86-20-8755-8029</p> <p>China - Hangzhou Tel: 86-571-8792-8115</p> <p>China - Hong Kong SAR Tel: 852-2943-5100</p> <p>China - Nanjing Tel: 86-25-8473-2460</p> <p>China - Qingdao Tel: 86-532-8502-7355</p> <p>China - Shanghai Tel: 86-21-3326-8000</p> <p>China - Shenyang Tel: 86-24-2334-2829</p> <p>China - Shenzhen Tel: 86-755-8864-2200</p> <p>China - Suzhou Tel: 86-186-6233-1526</p> <p>China - Wuhan Tel: 86-27-5980-5300</p> <p>China - Xian Tel: 86-29-8833-7252</p> <p>China - Xiamen Tel: 86-592-2388138</p> <p>China - Zhuhai Tel: 86-756-3210040</p>	<p>India - Bangalore Tel: 91-80-3090-4444</p> <p>India - New Delhi Tel: 91-11-4160-8631</p> <p>India - Pune Tel: 91-20-4121-0141</p> <p>Japan - Osaka Tel: 81-6-6152-7160</p> <p>Japan - Tokyo Tel: 81-3-6880-3770</p> <p>Korea - Daegu Tel: 82-53-744-4301</p> <p>Korea - Seoul Tel: 82-2-554-7200</p> <p>Malaysia - Kuala Lumpur Tel: 60-3-7651-7906</p> <p>Malaysia - Penang Tel: 60-4-227-8870</p> <p>Philippines - Manila Tel: 63-2-634-9065</p> <p>Singapore Tel: 65-6334-8870</p> <p>Taiwan - Hsin Chu Tel: 886-3-577-8366</p> <p>Taiwan - Kaohsiung Tel: 886-7-213-7830</p> <p>Taiwan - Taipei Tel: 886-2-2508-8600</p> <p>Thailand - Bangkok Tel: 66-2-694-1351</p> <p>Vietnam - Ho Chi Minh Tel: 84-28-5448-2100</p>	<p>Austria - Wels Tel: 43-7242-2244-39 Fax: 43-7242-2244-393</p> <p>Denmark - Copenhagen Tel: 45-4485-5910 Fax: 45-4485-2829</p> <p>Finland - Espoo Tel: 358-9-4520-820</p> <p>France - Paris Tel: 33-1-69-53-63-20 Fax: 33-1-69-30-90-79</p> <p>Germany - Garching Tel: 49-8931-9700</p> <p>Germany - Haan Tel: 49-2129-3766400</p> <p>Germany - Heilbronn Tel: 49-7131-72400</p> <p>Germany - Karlsruhe Tel: 49-721-625370</p> <p>Germany - Munich Tel: 49-89-627-144-0 Fax: 49-89-627-144-44</p> <p>Germany - Rosenheim Tel: 49-8031-354-560</p> <p>Israel - Ra'anana Tel: 972-9-744-7705</p> <p>Italy - Milan Tel: 39-0331-742611 Fax: 39-0331-466781</p> <p>Italy - Padova Tel: 39-049-7625286</p> <p>Netherlands - Drunen Tel: 31-416-690399 Fax: 31-416-690340</p> <p>Norway - Trondheim Tel: 47-72884388</p> <p>Poland - Warsaw Tel: 48-22-3325737</p> <p>Romania - Bucharest Tel: 40-21-407-87-50</p> <p>Spain - Madrid Tel: 34-91-708-08-90 Fax: 34-91-708-08-91</p> <p>Sweden - Gothenberg Tel: 46-31-704-60-40</p> <p>Sweden - Stockholm Tel: 46-8-5090-4654</p> <p>UK - Wokingham Tel: 44-118-921-5800 Fax: 44-118-921-5820</p>