

10 9 8 7 6 5 4 3 2 1

F

E

D

C

B

A

F

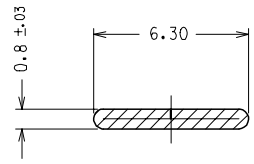
E

D

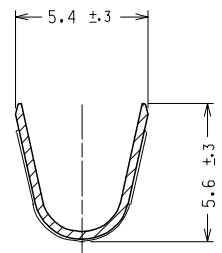
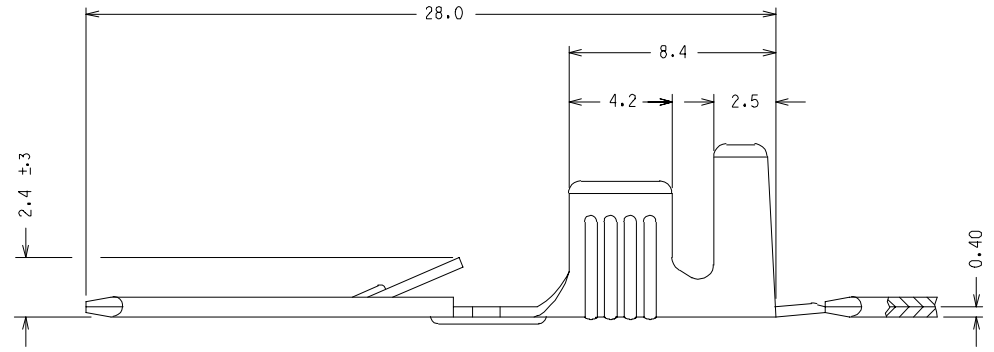
C

B

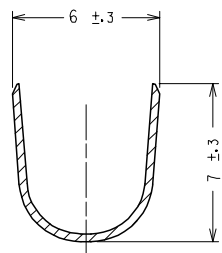
A



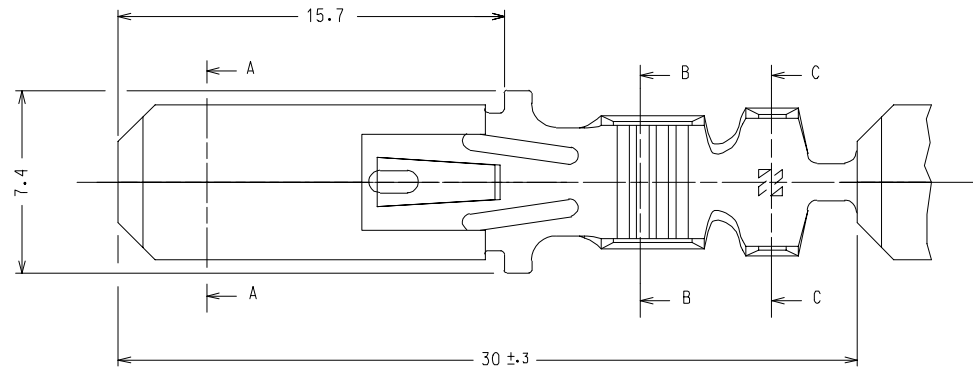
SECTION A - A



SECTION B - B



SECTION C - C



CODICE P/N	MATERIALE MATERIAL	FINITURA PLATING
94030-4090	OTTONE BRASS	GREGGIO/ PLAIN
94030-4091		STAGNATO/ TIN
94030-4092	BRONZO FOSF. PHOSPH. BRONZE	GREGGIO/ PLAIN
94030-4093		STAGNATO/ TIN

ENTER DESCRIPTION	2006/05/04
EC NO: Z2006-0193	2006/05/04
DRWN:FGOTTARD	2006/05/04
CHKD:RSANDANO	2006/05/08
APPR:GZUIN	
REV	DESCRIPTION
A2	

QUALITY SYMBOLS	▽=0
	∇=0

GENERAL TOLERANCES (UNLESS SPECIFIED)	
	mm INCH
4 PLACES	± --- ± ---
3 PLACES	± --- ± ---
2 PLACES	± 0.1 ± ---
1 PLACE	± 0.2 ± ---
ANGULAR ± 2 °	
DRAFT WHERE APPLICABLE MUST REMAIN WITHIN DIMENSIONS	

DIMENSION STYLE MM ONLY	
DRAWN BY	DATE
FGOTTARD	1989/12/22
CHECKED BY	DATE
APPROVED BY	DATE
MPREVIAT	1989/12/22
MATERIAL NO.	
SEE CHART	
SIZE	A3

SCALE	DESIGN UNITS	FIRST ANGLE PROJECTION
5:1	METRIC	
TITLE		
MALE TERMINAL 6.3X0.8 WIRE RANGE 4.0-6.0 MMQ INS.RANGE 3.8-5.1 MM		
MOLEX INCORPORATED		
MATERIAL NO.	DOCUMENT NO.	SHEET NO.
	94030-409X-SD	1 OF 1
THIS DRAWING CONTAINS INFORMATION THAT IS PROPRIETARY TO MOLEX INCORPORATED AND SHOULD NOT BE USED WITHOUT WRITTEN PERMISSION		

9 8 7 6 5 4 3 2 1