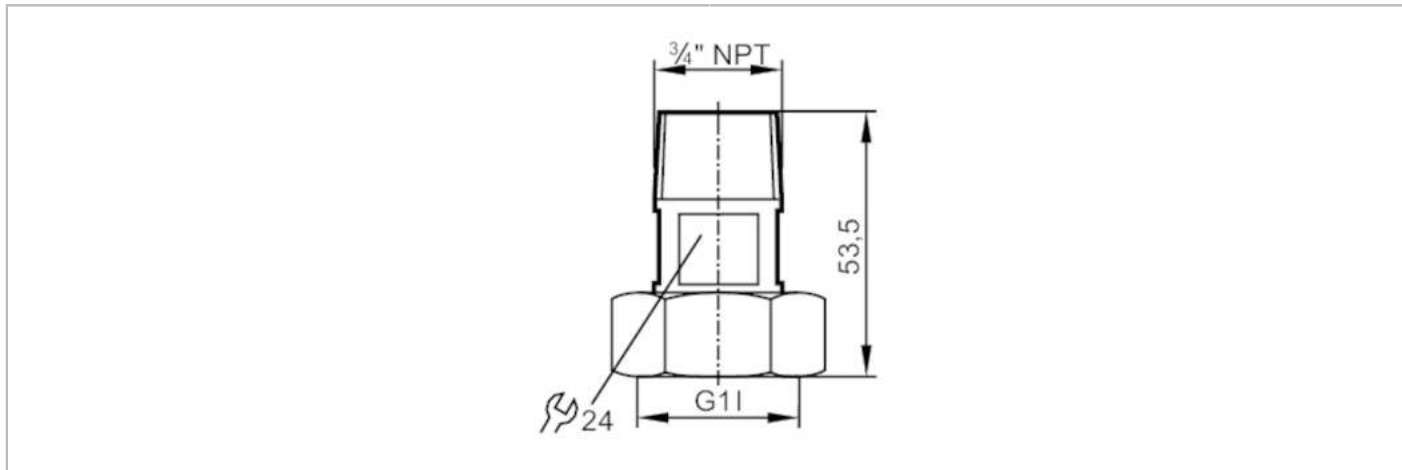


E40193



Mounting adapter for flow sensors

ADAPTER G1-NPT3/4/V4A



CRN

Application	
Design	for flow sensors Typ SM8, SU8
MAWP (for applications according to CRN) [bar]	16
Tests / approvals	
Pressure Equipment Directive	A possible classification to PED depends on the application and has to be carried out by the user / operator.
Pressure Equipment Directive EAC	The adapter is intended for use in devices, machines and installations that do not fall under the categories of the technical rule TR CU 032/2013.
Safety instructions	The compatibility between medium and product material has to be checked in all applications.
Mechanical data	
Weight [g]	392.5
Materials	Adapter: stainless steel (1.4404 / 316L); Gasket: Centellen 23,5 x 30 x 3 mm
Sensor connection	G 1
Process connection	threaded connection 3/4" NPT
Accessories	
Items supplied	O-rings: 2
Remarks	
Pack quantity	2 pcs.