

Evaluating the ADuM4221-2 Isolated, Half Bridge Gate Driver, 4 A Output

FEATURES

- Output voltage range to 35 V
- Screw terminals for easy connectivity
- Pad placement for external series gate resistors
- Pad placement for capacitive load testing
- Supports TO-220 or TO-252 IGBTs or MOSFETs
- Bootstrap option
- Jumper placement for easy half bridge setup

EVALUATION KIT CONTENTS

EVAL-ADuM4221-2EBZ evaluation board

EQUIPMENT NEEDED

Suggested test equipment

- Primary side power supply: 0 V to 6.5 V at 100 mA
- 2 secondary side supplies: 0 V to 35 V at 250 mA
- Square wave generator: 0 V to 5 V

GENERAL DESCRIPTION

The EVAL-ADuM4221-2EBZ supports the ADuM4221-2 half bridge gate driver that employs Analog Devices, Inc., *iCoupler*® technology to provide independent and isolated high-side and low-side outputs. The EVAL-ADuM4221-2EBZ is populated with the ADuM4221-2, which has the V_{IA} and V_{IB} inputs. The EVAL-ADuM4221-2EBZ supplies jumpers and screw terminals

to configure different drive conditions. The EVAL-ADuM4221-2EBZ operates with square waves and dc values on the V_{IA} , V_{IB} , and DISABLE pins.

The ADuM4221-2 operates with an input supply ranging from 2.5 V to 6.5 V, providing compatibility with lower voltage systems. Logic level voltages at the input pins control the V_{OA} and V_{OB} outputs. The driver has a DISABLE input pin that, if held high, shuts the device off regardless of the input on the channels.

The ADuM4221-2 provides operation with voltages of up to 35 V on the secondary side. The EVAL-ADuM4221-2EBZ has a provision for the high-side supply to be bootstrapped to the low-side supply. The EVAL-ADuM4221-2EBZ facilitates testing of the propagation delay, drive strength, and input logic of the device. Because the EVAL-ADuM4221-2EBZ has footprints for insulated gate bipolar transistors (IGBTs) and metal-oxide semiconductor field effect transistors (MOSFETs) in TO-220 and TO-252 packages, the ADuM4221-2 can be evaluated with many different power devices.

For complete information about the ADuM4221-2, refer to the ADuM4221-2 data sheet in conjunction with this user guide when using the EVAL-ADuM4221-2EBZ.

EVAL-ADUM4221-2EBZ PHOTOGRAPH



Figure 1.

TABLE OF CONTENTS

| | | | |
|------------------------------------|---|---|---|
| Features | 1 | Pad Layout for the Device Under Test (DUT)..... | 3 |
| Evaluation Kit Contents..... | 1 | Setting Up the EVAL-ADuM4221-2EBZ..... | 3 |
| Equipment Needed..... | 1 | Power Connections | 4 |
| General Description | 1 | Input/Output Connections | 4 |
| EVAL-ADuM4221-2EBZ Photograph..... | 1 | Bootstrapping V_{DDB} to V_{DDA} | 4 |
| Revision History | 2 | Evaluation Board Schematic and Artwork..... | 5 |
| EVAL-ADuM4221-2EBZ Hardware | 3 | Ordering Information..... | 6 |
| Initial Configuration | 3 | Bill of Materials..... | 6 |

REVISION HISTORY

9/2020—Revision 0: Initial Version

EVAL-ADUM4221-2EBZ HARDWARE

INITIAL CONFIGURATION

In stock configuration (see Figure 1), the EVAL-ADuM4221-2EBZ is set up for testing the basic gate driver functionality under a no load condition. Either screw terminals or test pins can be used for the input, output, and signal connections to the board. The R9 to R14 resistors are not populated. These locations of the series external resistors serve as the charging and discharging paths of the device being driven. R9 to R11 are for the high-side output, and R12 to R14 are for the low-side output. However, before initial use, it is recommended to complete certain steps to prepare the EVAL-ADuM4221-2EBZ for operation.

PAD LAYOUT FOR THE DEVICE UNDER TEST (DUT)

The EVAL-ADuM4221-2EBZ provides placement for supporting components to facilitate evaluation of the gate driver. The available pad placements are as follows:

- U1 is the footprint for the ADuM4221-2.
- C1, C4, and C6 are 0.1 μF bypass capacitors, C5 and C7 are 10 μF bypass capacitors, and C2 (not populated) is 1 μF , in a surface-mount device (SMD), Size 1206 package.
- Q1 and Q2 can be populated with TO-220 package MOSFETs or IGBTs, and Q3 and Q4 with TO-252 package MOSFETs or IGBTs (see Figure 2). In Figure 2, C/D is collector/drain, G is gate, and E/S is emitter/source.
- R9 to R14 are gate resistors that control the slew rate of the outputs, and can be populated with Size 1206, SMD resistors in the 1 Ω to 10 Ω range.
- The C3 and C8 capacitor pad placements provide land patterns for placing a capacitor load to simulate gate capacitance.
- D1 and R8 can be populated for using a bootstrap supply for the high-side driver.

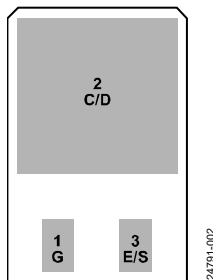


Figure 2. IGBT/MOSFET Footprint

SETTING UP THE EVAL-ADUM4221-2EBZ

It is recommended to use Size 1206, surface-mount, external gate resistors with values between approximately 1 Ω and 10 Ω , depending on the required drive strength for the load being driven. Diode D2 and Diode D3 are not populated but can be used for providing a different turn on and turn off path. An IGBT or MOSFET can be placed in the provided Q1 or Q3 and Q2 or Q4 landing patterns. Jumpers P13 and P14 allow shorting across the series external resistors on the low side and the high

side, respectively, to observe overshoot or allow the user to probe the voltage to quantify peak currents.

The combination of Resistor R4 and Jumper P3 allows the user to terminate a high-side logic input with a 50 Ω load, and the combination of Resistor R5 and Jumper P4 allows a similar provision for the low-side logic input. R4 and R5 are not required, and, if not connected through the jumpers, the EVAL-ADuM4221-2EBZ accepts high impedance, generator signals from an external source.

A jumper on P6 allows the user to easily connect V_{IA} to V_{DD1} or GND_1 , and a jumper on P8 allows the user to tie V_{IB} to V_{DD1} or GND_1 (see Figure 3).

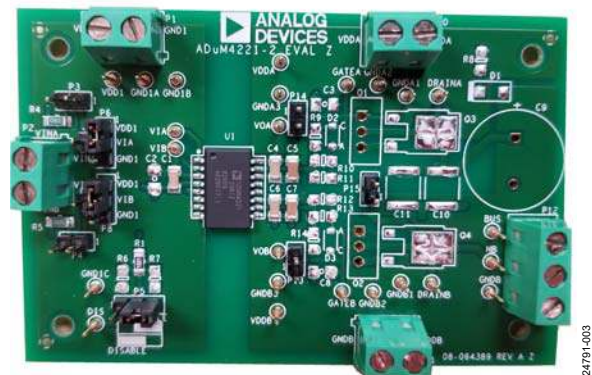


Figure 3. Example of P6 and P8 Configured to Connect Inputs to DC Values

Screw terminals are the preferred method to connect the logic level inputs on the EVAL-ADuM4221-2EBZ because this method provides added flexibility for making connections to the input pins of the device.

Placing a Jumper between P6 and P7 connects V_{IA} to an external input voltage signal (labeled V_{INA}) on the EVAL-ADuM4221-2EBZ. Similarly, a jumper between P8 and P9 allows corresponding connections for V_{IB} to V_{INB} (see Figure 1). The VIA and VIB test pins directly connect to the input pins of the device under test (DUT) and eliminate the need to use the screw terminals or any combination of jumpers when the device is driven by an external signal. The user can choose to utilize either a direct pin connection or the screw terminal method to make the connection. However, when the test pins are used to connect to an external source, care must be taken to ensure that there is no jumper on P6 and on P8, which connects to dc values. Connections between P6 and P7 and between P8 and P9 can still be made if termination is required in combination with placing the jumpers on P3 and on P4.

POWER CONNECTIONS

Follow these steps to connect the EVAL-ADuM4221-2EBZ to a power supply (see Figure 4):

1. Connect the input V_{DD1} supply (2.5 V to 6.5 V) with the positive terminal to the V_{DD1} pin and ground to the GND_1 pin.
2. Connect the V_{DDB} supply (4.5 V to 35 V) with the positive terminal to the V_{DDB} pin and ground to the GND_B pin.
3. Connect the V_{DDA} supply (4.5 V to 35 V) with the positive terminal to the V_{DDA} pin and ground to the GND_A pin.

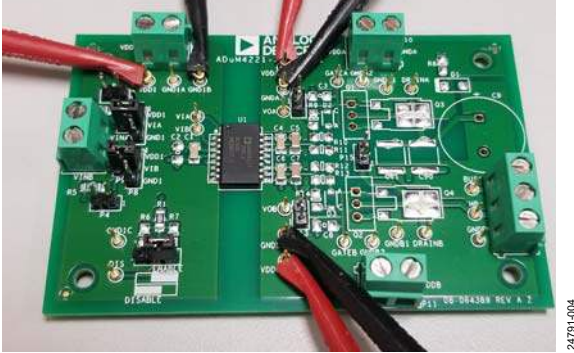


Figure 4. Power Supply Connections

GND_1 , GND_A , and GND_B are all isolated from each other. The high-side IGBT emitter/MOSFET source is connected to GND_A , and the low-side IGBT emitter/MOSFET source is tied to GND_B .

INPUT/OUTPUT CONNECTIONS

The V_{IA} and V_{IB} pins are logic level inputs compatible with 3.3 V and 5 V systems. If using a screw terminal, connect V_{IA} to V_{INA} by connecting P7 and Pin 2 (center pin) of P6 with a jumper or by using the V_{IA} test pin. Similarly, connect V_{IB} to V_{INB} by connecting P9 and Pin 2 (center pin) of P8 with a jumper or by using the V_{IB} test pin.

In stock configuration, the P5 header jumper connects Pin 2 and Pin 3 (two pins on the right side) to enable operation of the device outputs. Connecting Pin 1 and Pin 2 of P5 disables the device. The disable function can be controlled externally by

connection to the disable (DIS) test pin. R6 and R7 can be used as pull-up and pull-down resistors, respectively, for the disable input.

The half bridge output (HB) test pin on the EVAL-ADuM4221-2EBZ is the Q2/Q4 collector/drain node. If the device is used in the half bridge configuration, the Q1/Q3 emitter/source can be connected to HB with a jumper across P15. The bus voltage (BUS) test pin on the EVAL-ADuM4221-2EBZ connects to the drain of the high-side Q1 and Q3 MOSFET/IGBT. It is recommended to use a 100 μ F electrolytic capacitor for C9 and 2.2 μ F ceramic capacitors for C10 and C11.

The EVAL-ADuM4221-2EBZ comes with screw terminals for both the input and output connections. These terminals facilitate connection options but are not ideal for recording transient measurements to assess the ADuM4221-2 performance. Using the output screw terminals as the sensing node often results in overshoot during measurement. When conducting measurements on the load, whether through the IGBT, MOSFET, or load capacitor, small loop measurements are recommended for optimal results. Thus, use the output screw terminals only for connection of the external load.

BOOTSTRAPPING V_{DDB} TO V_{DDA}

To use a single supply on the secondary side in a bootstrap setup, populate the bootstrap diode, D1, and Resistor R8 with a value typically in the 1 Ω to 20 Ω range. In this setup, both outputs of the ADuM4221-2 can be powered by the V_{DDB} supply when a half bridge is configured with Q1 and Q2 or Q3 and Q4. When the switch node (GND_A) is low, C4 and C5 are charged through the forward-biased bootstrapping diode. When the switch node rises to the bridge voltage, the diode becomes reverse biased, and because of the charge on C4 and C5, V_{DDA} to GND_A almost equals V_{DDB} , accounting for the forward drop of the diode. For bootstrapping to work, Q1 and Q2 or Q3 and Q4 must be populated instead of the load capacitors, C3 and C8, and a jumper must be placed on P15. To supply C4 and C5 with the charge required to drive the Q1 or Q3 gate, the switching frequency must be sufficiently high, and the duty cycle must be limited.

EVALUATION BOARD SCHEMATIC AND ARTWORK

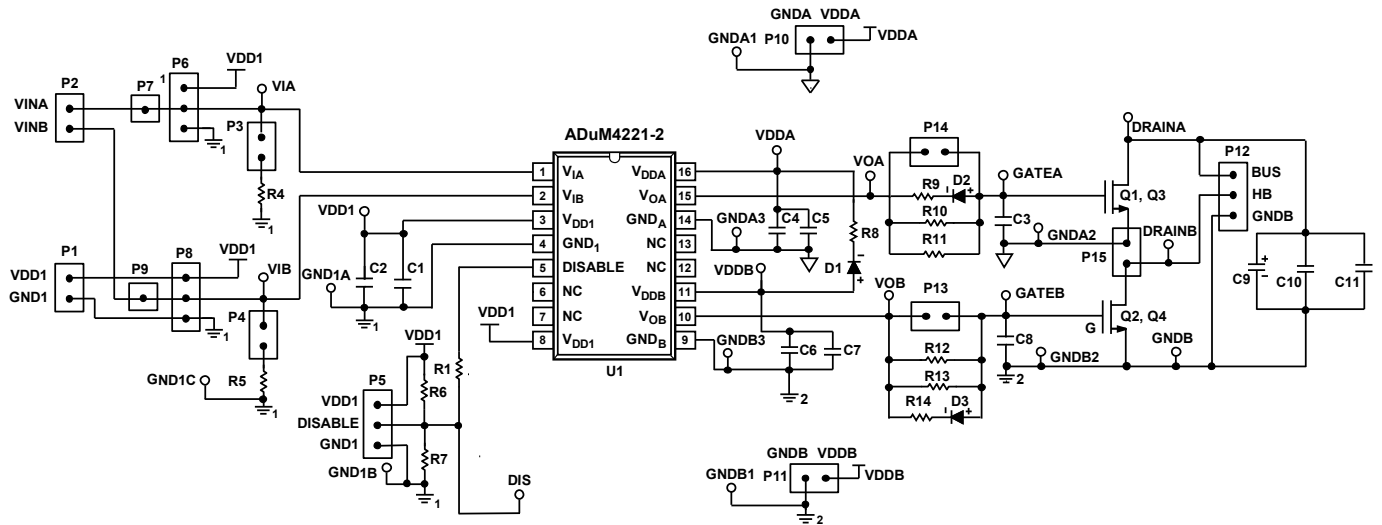


Figure 5. Schematic of the EVAL-ADuM4221-2EBZ

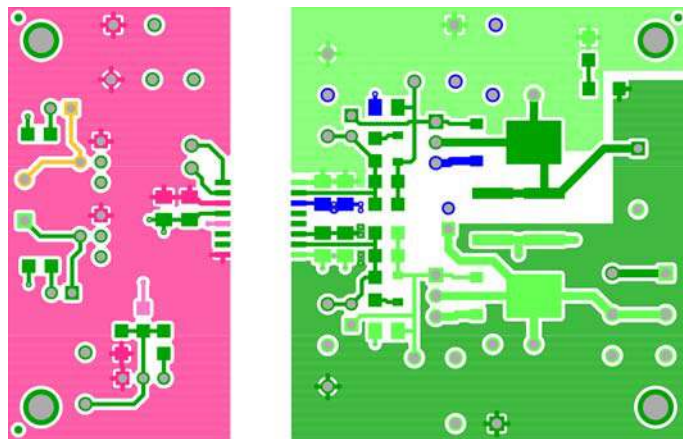


Figure 6. EVAL-ADuM4221-2EBZ Top Layer

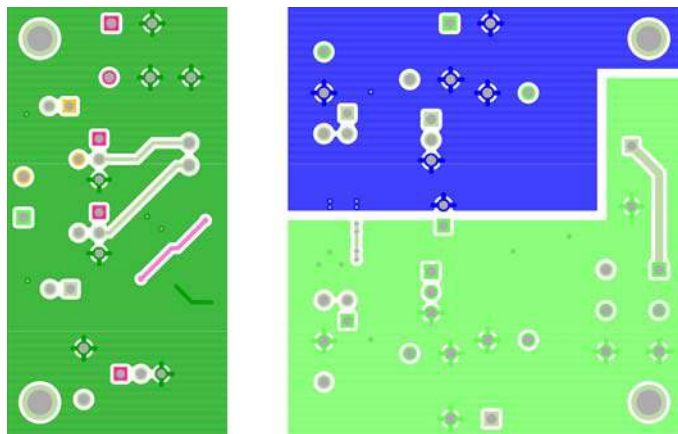


Figure 7. EVAL-ADuM4221-2EBZ Bottom Layer

ORDERING INFORMATION

BILL OF MATERIALS

Table 1. Bill of Materials

| Reference Designator | Description |
|----------------------|--|
| U1 | ADuM4221-2, RI-16-2 |
| R1 | Resistor, 1 k Ω , 1206 |
| R4, R5 | Resistor, 50 Ω , 1206 |
| C1, C4, C6 | Capacitor, 0.1 μ F, 10%, 1206 |
| C5, C7 | Capacitor, 10 μ F, 10%, 1206 |
| D1 | Diode, not installed, DO214AC package |
| D2, D3 | Diode, not installed, SOD123FL package |
| R6 to R14 | Resistor, not installed, 1206 |
| C2, C3, C8 | Capacitor, not installed, 1206 |
| C9 | Capacitor, not installed, 0.630 in. diameter |
| C10, C11 | Capacitor, not installed, 2220 |
| Q1, Q2 | IGBT or MOSFET, not installed, TO-220 |
| Q3, Q4 | IGBT or MOSFET, not installed, TO-252 |



ESD Caution

ESD (electrostatic discharge) sensitive device. Charged devices and circuit boards can discharge without detection. Although this product features patented or proprietary protection circuitry, damage may occur on devices subjected to high energy ESD. Therefore, proper ESD precautions should be taken to avoid performance degradation or loss of functionality.

Legal Terms and Conditions

By using the evaluation board discussed herein (together with any tools, components documentation or support materials, the "Evaluation Board"), you are agreeing to be bound by the terms and conditions set forth below ("Agreement") unless you have purchased the Evaluation Board, in which case the Analog Devices Standard Terms and Conditions of Sale shall govern. Do not use the Evaluation Board until you have read and agreed to the Agreement. Your use of the Evaluation Board shall signify your acceptance of the Agreement. This Agreement is made by and between you ("Customer") and Analog Devices, Inc. ("ADI"), with its principal place of business at One Technology Way, Norwood, MA 02062, USA. Subject to the terms and conditions of the Agreement, ADI hereby grants to Customer a free, limited, personal, temporary, non-exclusive, non-sublicensable, non-transferable license to use the Evaluation Board FOR EVALUATION PURPOSES ONLY. Customer understands and agrees that the Evaluation Board is provided for the sole and exclusive purpose referenced above, and agrees not to use the Evaluation Board for any other purpose. Furthermore, the license granted is expressly made subject to the following additional limitations: Customer shall not (i) rent, lease, display, sell, transfer, assign, sublicense, or distribute the Evaluation Board; and (ii) permit any Third Party to access the Evaluation Board. As used herein, the term "Third Party" includes any entity other than ADI, Customer, their employees, affiliates and in-house consultants. The Evaluation Board is NOT sold to Customer; all rights not expressly granted herein, including ownership of the Evaluation Board, are reserved by ADI. CONFIDENTIALITY. This Agreement and the Evaluation Board shall all be considered the confidential and proprietary information of ADI. Customer may not disclose or transfer any portion of the Evaluation Board to any other party for any reason. Upon discontinuation of use of the Evaluation Board or termination of this Agreement, Customer agrees to promptly return the Evaluation Board to ADI. ADDITIONAL RESTRICTIONS. Customer may not disassemble, decompile or reverse engineer chips on the Evaluation Board. Customer shall inform ADI of any occurred damages or any modifications or alterations it makes to the Evaluation Board, including but not limited to soldering or any other activity that affects the material content of the Evaluation Board. Modifications to the Evaluation Board must comply with applicable law, including but not limited to the RoHS Directive. TERMINATION. ADI may terminate this Agreement at any time upon giving written notice to Customer. Customer agrees to return to ADI the Evaluation Board at that time. LIMITATION OF LIABILITY. THE EVALUATION BOARD PROVIDED HEREUNDER IS PROVIDED "AS IS" AND ADI MAKES NO WARRANTIES OR REPRESENTATIONS OF ANY KIND WITH RESPECT TO IT. ADI SPECIFICALLY DISCLAIMS ANY REPRESENTATIONS, ENDORSEMENTS, GUARANTEES, OR WARRANTIES, EXPRESS OR IMPLIED, RELATED TO THE EVALUATION BOARD INCLUDING, BUT NOT LIMITED TO, THE IMPLIED WARRANTY OF MERCHANTABILITY, TITLE, FITNESS FOR A PARTICULAR PURPOSE OR NON-INFRINGEMENT OF INTELLECTUAL PROPERTY RIGHTS. IN NO EVENT WILL ADI AND ITS LICENSORS BE LIABLE FOR ANY INCIDENTAL, SPECIAL, INDIRECT, OR CONSEQUENTIAL DAMAGES RESULTING FROM CUSTOMER'S POSSESSION OR USE OF THE EVALUATION BOARD, INCLUDING BUT NOT LIMITED TO LOST PROFITS, DELAY COSTS, LABOR COSTS OR LOSS OF GOODWILL. ADI'S TOTAL LIABILITY FROM ANY AND ALL CAUSES SHALL BE LIMITED TO THE AMOUNT OF ONE HUNDRED US DOLLARS (\$100,000). EXPORT. Customer agrees that it will not directly or indirectly export the Evaluation Board to another country, and that it will comply with all applicable United States federal laws and regulations relating to exports. GOVERNING LAW. This Agreement shall be governed by and construed in accordance with the substantive laws of the Commonwealth of Massachusetts (excluding conflict of law rules). Any legal action regarding this Agreement will be heard in the state or federal courts having jurisdiction in Suffolk County, Massachusetts, and Customer hereby submits to the personal jurisdiction and venue of such courts. The United Nations Convention on Contracts for the International Sale of Goods shall not apply to this Agreement and is expressly disclaimed.