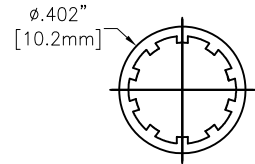
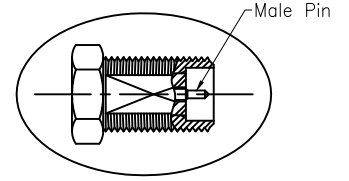
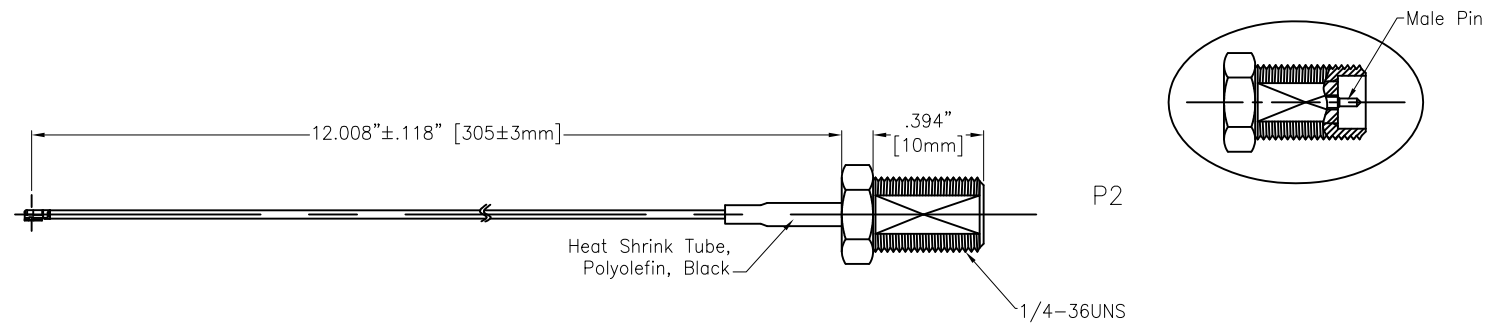


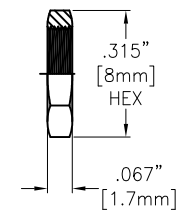
Rev	AWO #	Description	Date	Appr
-		RELEASED	11/16/18	

APPROVED: \_\_\_\_\_  
 DATE: \_\_\_\_\_ TITLE: \_\_\_\_\_

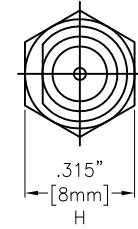
CUSTOM CABLE ASSEMBLIES ARE NON-CANCELLABLE / NON-RETURNABLE



Washer:  
Brass, Gold



Nut:  
Brass, Gold



**SPECIFICATIONS:**

**Connector:**  
 P1= I-PEX (IV) Connector, Gold plated  
 P2= SMA Jack RP (Male Pin), Straight, Gold plated

**Cable:**  
 0.81mm Coaxial Cable, Color: Black

**Electrical:**  
 Impedance: 50 ohms  
 Frequency range: DC-6 GHz

**Electrical Test:**  
 All Assemblies must be 100% Tested for  
 Shorts, Open, Continuity, and Physical Appearance.

**Environmental:**  
 Lead free, RoHS compliant



UNLESS OTHERWISE SPECIFIED  
 ALL DIMENSIONS ARE INCHES [MM]  
 TOLERANCES: EXCEPT AS NOTED  
 INCHES HOLES  
 .X ± .10 Ø.X ± .10  
 .XX ± .020 Ø.XX ± .015  
 .XXX ± .015 Ø.XXX ± .010

APPROVALS		DATE
DRAWN	AY	11/16/18
CHECKED	AC	11/16/18
APPROVED		

**ADAM TECH**  
 INTERCONNECTS  
 909 Rahway Avenue,  
 Union, NJ 07083  
 Phone: 908-687-5000  
 Fax: 908-687-5710

TITLE CUSTOM CABLE ASSEMBLY, IPEX IV PLUG TO SMA S/T JACK (RP) WITH OD 0.81MM CABLE		
SIZE X	PART NO. CA#DKCA1-305LQ-ALI5	REV. -
REF: S00291T	SCALE: NTS	SHEET 1 OF 1