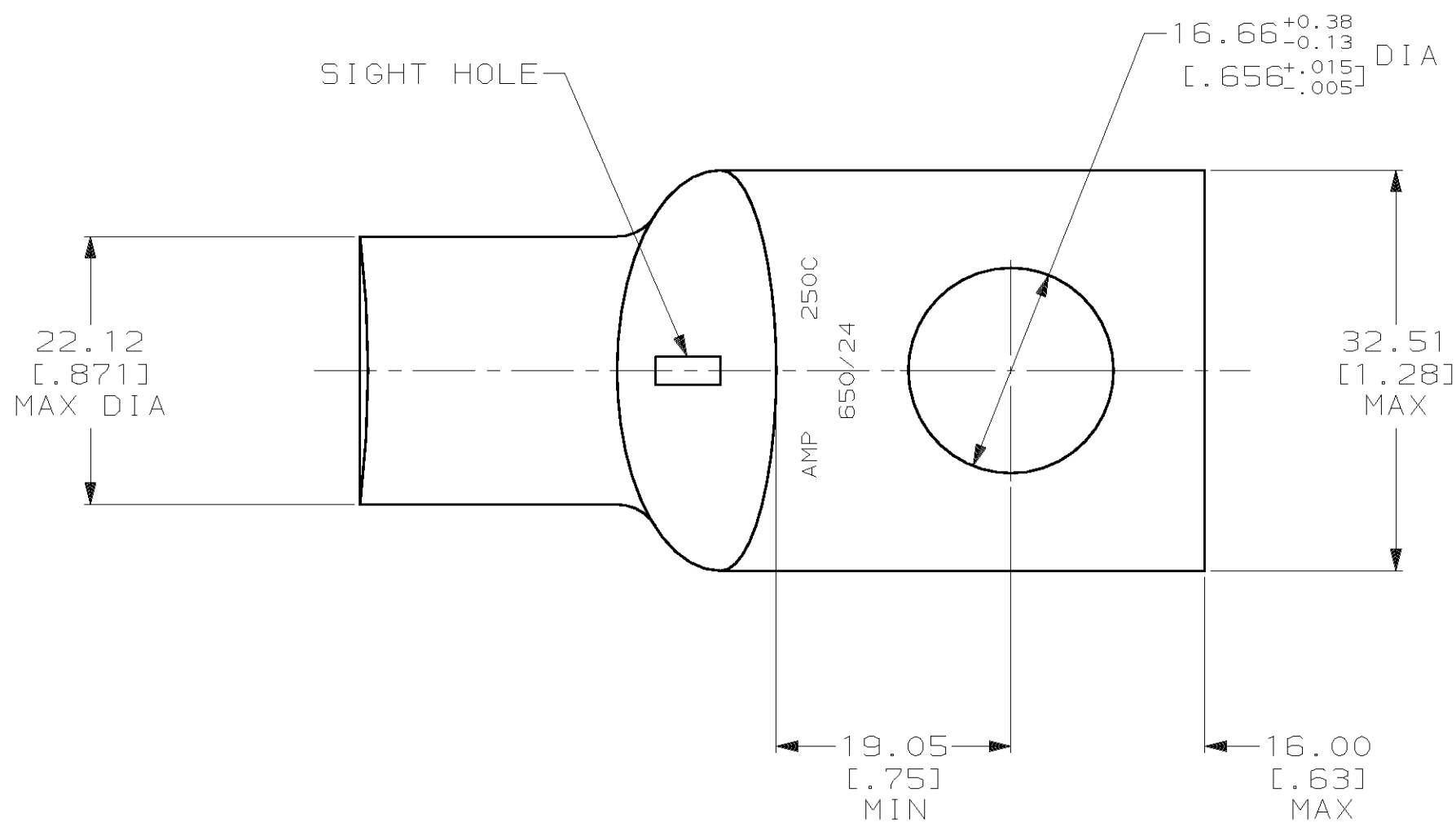
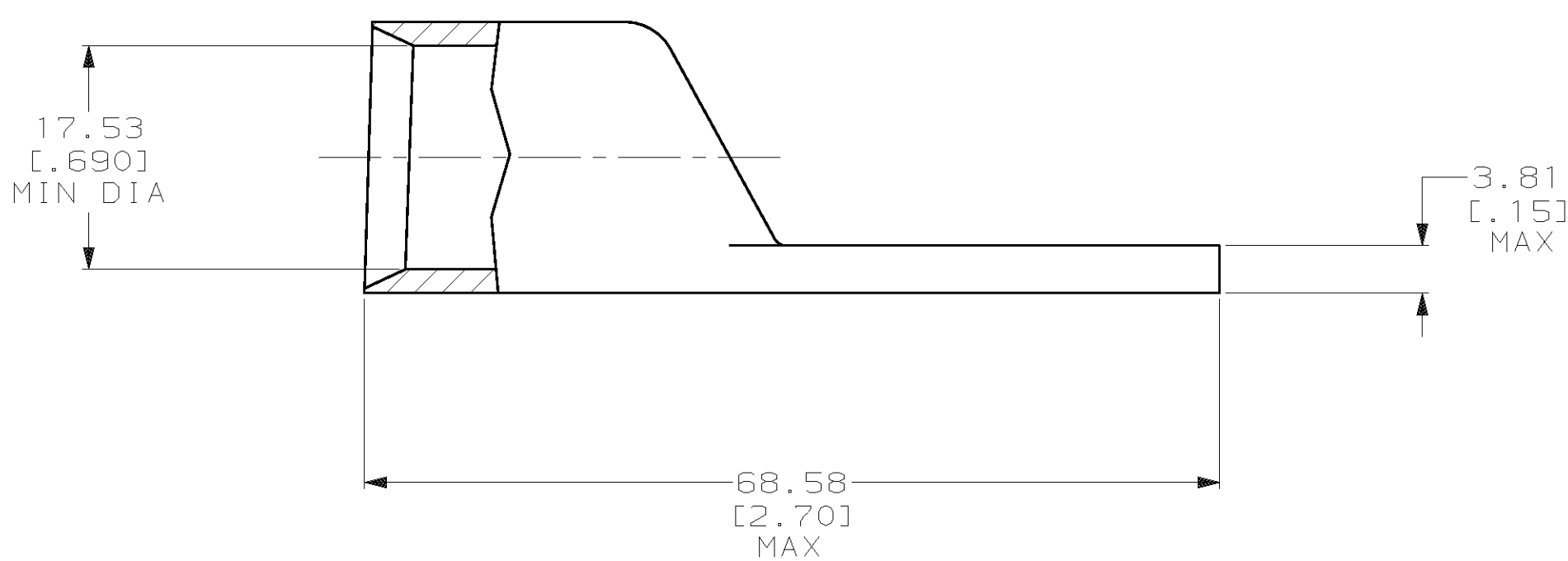


THIS DRAWING IS UNPUBLISHED. RELEASED FOR PUBLICATION ,19 .
 © COPYRIGHT 19 BY AMP INCORPORATED. ALL INTERNATIONAL RIGHTS RESERVED.

| LOC | | DIST | | P | | F | | ZONE | | LTR | | REVISIONS | | DATE | APPD |
|-----|--|------|--|---|--|---|--|------|--|-----|--|----------------------|--|---------|-------|
| G | | 86 | | | | | | | | N | | REV PER 063A-0561-01 | | 080CT02 | JR/MS |



1 CIRCULAR MIL AREA RANGE: 231-275 MCM
 2 TIN PL 0.00381 [0.00150] MIN THK PER MIL-T-10727



325707

B

A

325707

PART NO

DO NOT SCALE PRINT.
 UNLESS SPECIFIED
 DIMENSIONS IN mm [INCHES]
 TOLERANCES ON :
 2 PLC DEC ± 0.51 [0.020]
 3 PLC DEC ± -
 ANGLES ± -

MATERIAL
 ANNEALED COPPER
 ASTM B-75

FINISH



DR 03/16/90
 DK SCHRUM

CHK 20JAN95
 MS FEHER

APPD 20JAN95
 WJ VOCKROTH

APPD 20JAN95
 TL SHUTTER

PRODUCT SPEC
 108-30200

APPLICATION SPEC

-

WEIGHT .123 LB

AMP AMP INCORPORATED
 Harrisburg, Pa. 17105

NAME
 TERMINAL, AMPPOWER,
 WIRE SIZE: 250 MCM

SIZE
C

CAGE CODE
 00779

DRAWING NO
 325707

SCALE
 2:1

SHEET
 1 OF 1

METRIC