

60mm sq.

San Ace 60L

25mm thick



General Specifications

- Material Frame: Aluminum, Impeller: Plastics (Flammability: UL94V-1)
- Expected Life Refer to specifications (L10:Survival rate: 90% at 60°C , rated voltage, and continuously run in a free air state)
- Lead Wire ⊕red ⊖black or blue (Sensor) yellow
- Storage Temperature -30°C to +70°C (Non-condensing)

60×60×25mm (Mass : 100g)

Specifications

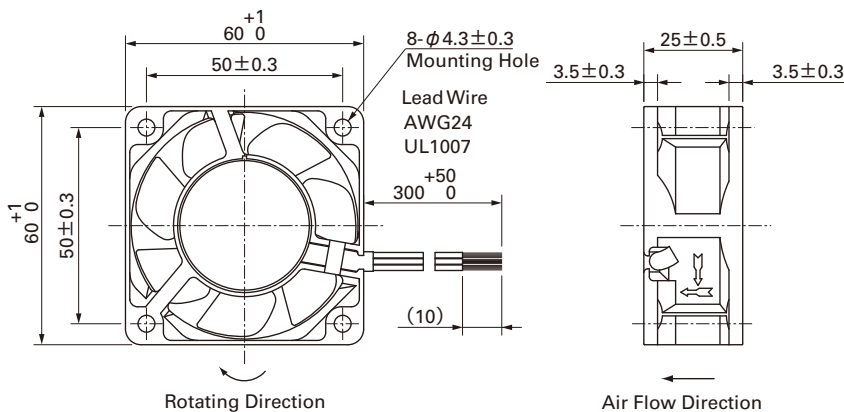
The following nos. **have pulse sensors.**

Model No.	Rated Voltage [V]	Operating Voltage Range [V]	Rated Current [A]	Rated Input [W]	Rated Speed [min ⁻¹]	Max. Air Flow [m ³ /min] [CFM]	Max. Static Pressure [Pa] [inchH ₂ O]	SPL [dB(A)]	Operating Temperature [°C]	Expected Life [h]
109L0612G401	12	10.2 to 13.8	0.24	2.88	5,600	0.78 27.5	87.3 0.35	39	- 20 to + 70	100,000
109L0612S401			0.17	2.04	4,600	0.65 23.0	56.8 0.228	33		
109L0612H401			0.11	1.32	3,800	0.53 18.7	40.2 0.161	28		
109L0612F401			0.09	1.08	3,200	0.44 15.5	29.4 0.118	24		
109L0612M401			0.06	0.72	2,600	0.36 12.7	19.6 0.079	20		
109L0624D401	24	20.4 to 27.6	0.12	2.88	5,150	0.72 25.4	73.8 0.296	37		
109L0624S401			0.08	1.92	4,600	0.65 23.0	56.8 0.230	33		
109L0624H401			0.06	1.44	3,800	0.53 18.7	40.2 0.161	28		
109L0624F401			0.05	1.20	3,200	0.44 15.5	29.4 0.118	24		
109L0624M401			0.04	0.96	2,600	0.36 12.7	19.6 0.079	20		
109L0648G401	48	40.8 to 55.2	0.07	3.36	5,600	0.78 27.5	87.3 0.35	39	- 20 to + 60	80,000
109L0648H401		40 to 53	0.04	1.92	3,800	0.53 18.7	40.2 0.161	28	- 20 to + 70	100,000

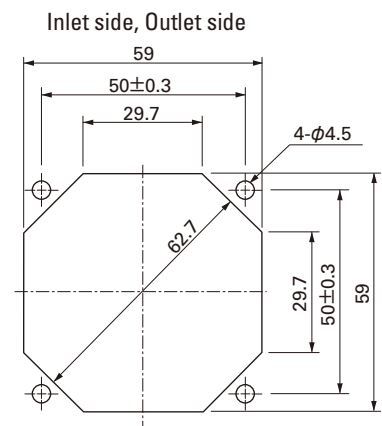
Available options: ⇒ **Without Sensor**

Please inquire as the availability of these functions depend on the model. ⇒ **Lock Sensor** **Low speed Sensor**

Dimensions (Unit : mm)



Reference dimension of mounting holes and vent opening (Unit : mm)



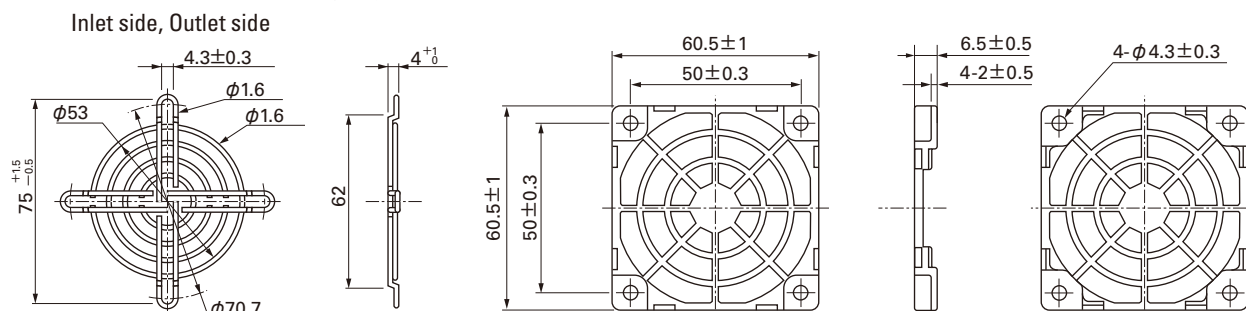
Options (Unit : mm)

Finger guards

Model : 109-139E Surface treatment : Nickel-chrome plating (silver)
 : 109-139H : Cation electropainting (black)

Resin Finger guards

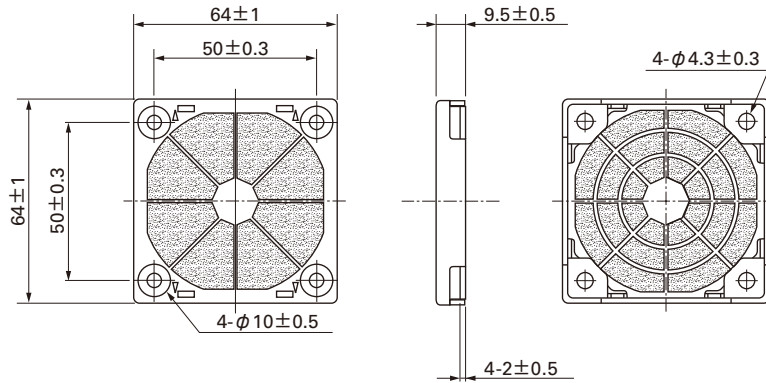
Model : 109-1003G



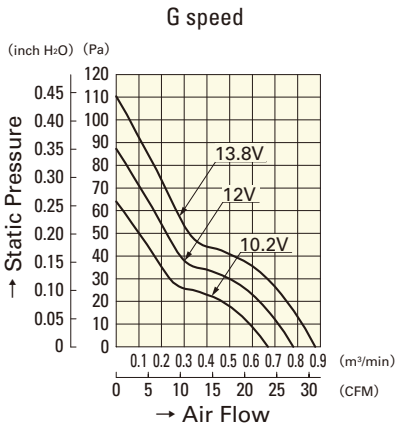
Options (Unit : mm)

Resin filter kits

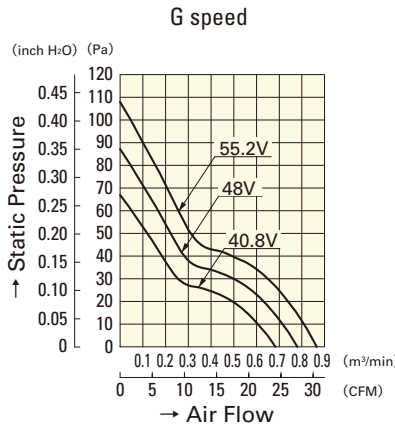
Model : 109-1003F13 (13PPI), 109-1003F20 (20PPI)
 : 109-1003F30 (30PPI), 109-1003F40 (40PPI)



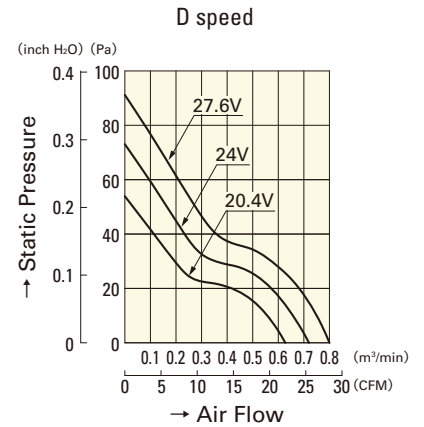
Air Flow - Static Pressure Characteristics



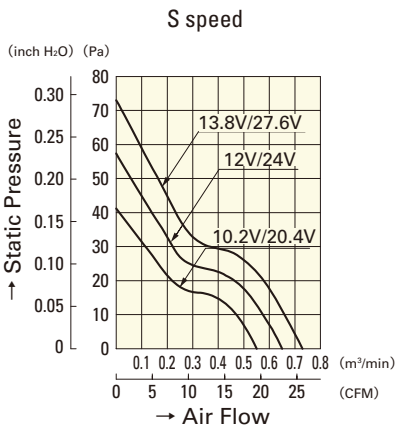
109L0612G401



109L0648G401

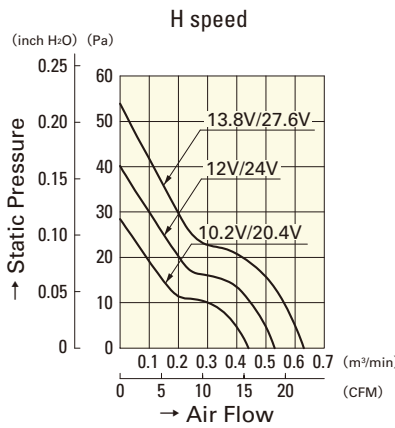


109L0624D401



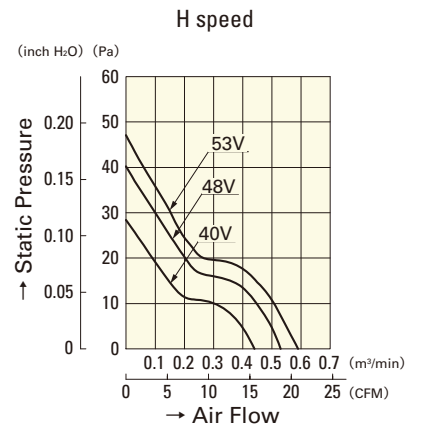
109L0612S401

109L0624S401

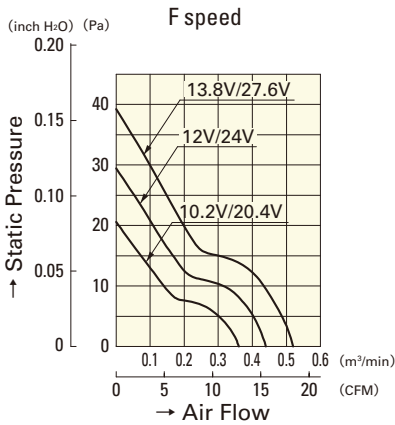


109L0612H401

109L0624H401

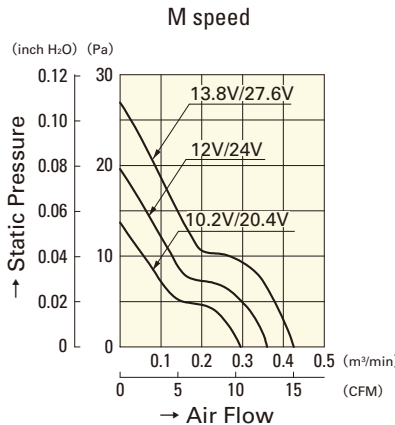


109L0648H401



109L0612F401

109L0624F401



109L0612M401

109L0624M401

Long Life Fan 60mm