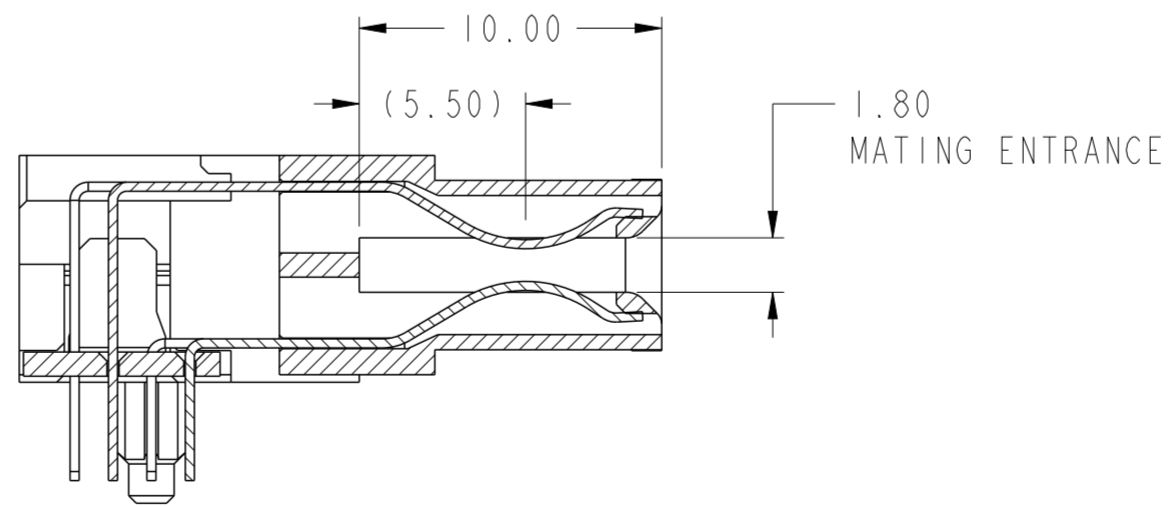


SECTION A-A
SCALE 4:1



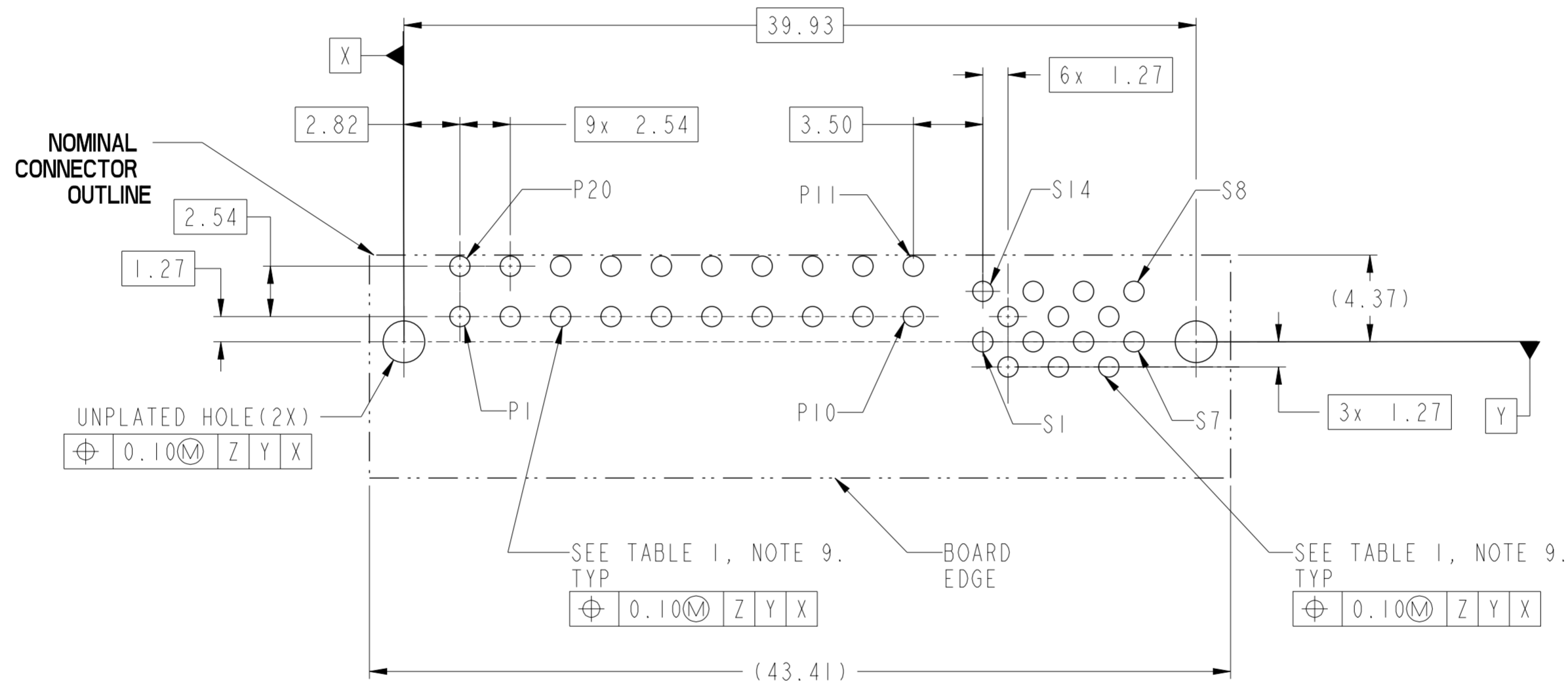
SECTION B-B
SCALE 4:1

spec ref	-	dr	Eric Jiang	2013/05/14	projection	MM	size	A2	scale	4:1
tolerance std	ASME Y14.5	eng	Hai-Ling Liu	2014/12/04			ecn no	-	Released	rev A
TOLERANCES UNLESS OTHERWISE SPECIFIED		chr	-	product family			rel level			
surface	<input checked="" type="checkbox"/> linear <input type="checkbox"/> angular	0.X ±0.5 0.XX ±0.25 0.XXX ±0.10			R/A RECEPTACLE 20PI4S HIGH POWER CARD EDGE		dwg no 10125026	sheet 1 of 4	Product - Customer Drw	
ASME Y14.5	angular 0° ±2°	www.fci.com	cat. no.	PDS: Rev :A	STATUS:Released	Printed: Dec 04, 2014				



Copyright FCI.

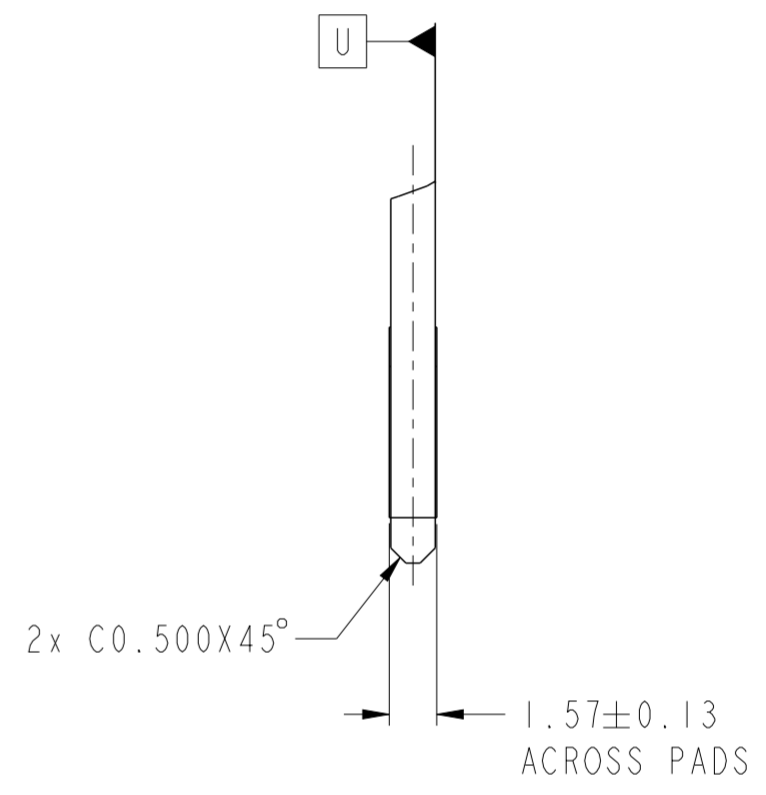
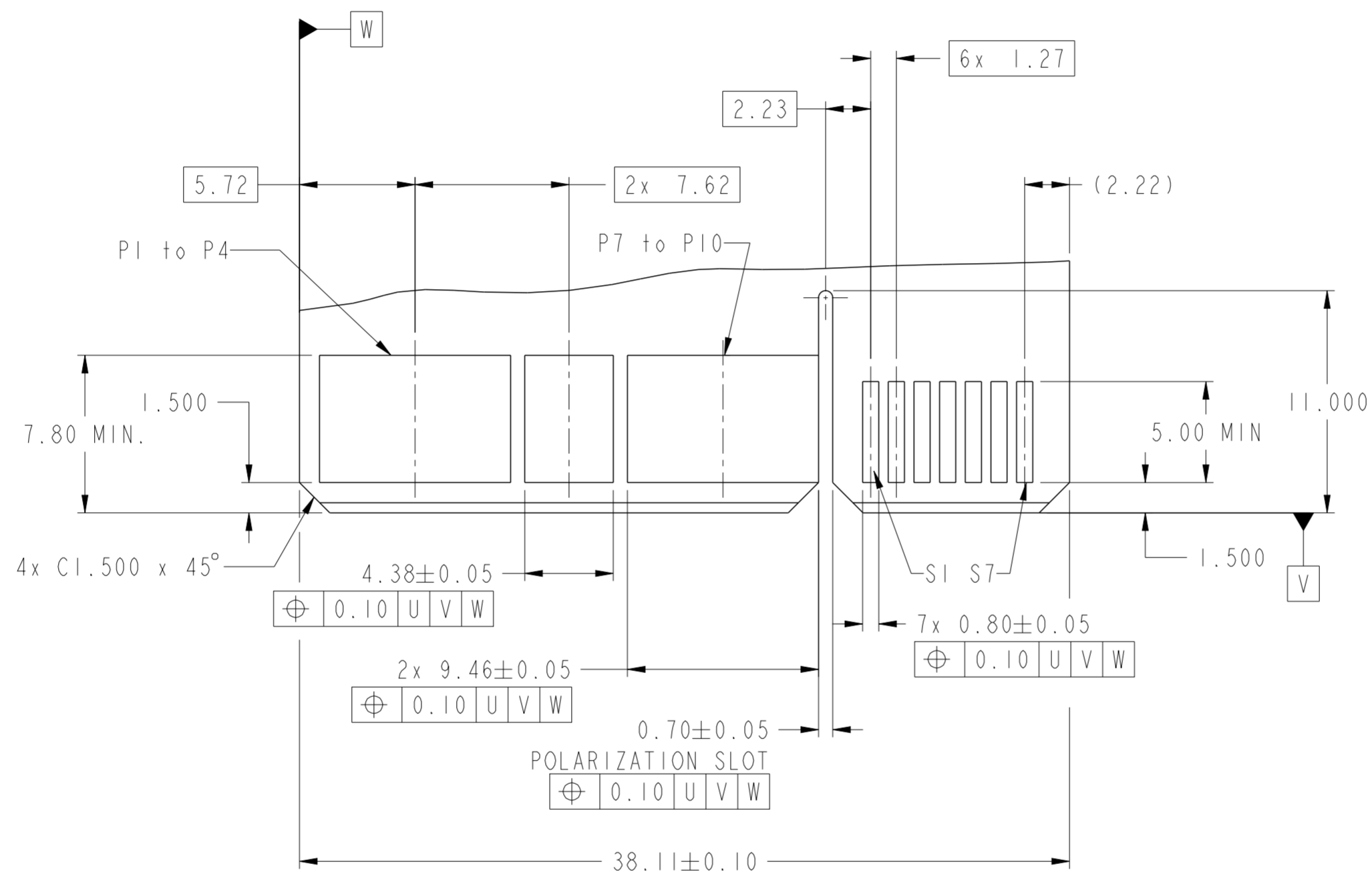
CONTACT TYPE	TOP LAYER DESCRIPTION	TABLE 1 (HPCE / SOLDER TAILS) PLATED THROUGH-HOLE REQUIREMENTS				
		DRILLED HOLE DIAMETER	COPPER THICKNESS	TIN-LEAD THICKNESS	TIN THICKNESS	FINISHED HOLE DIAMETER
POWER & SIGNAL	TIN-LEAD	1.10-1.16 (1.15 DRILL)	0.025 - 0.050	0.005 - 0.015	--	0.94 - 1.10
	IMMERSION TIN	1.10-1.16 (1.15 DRILL)	0.025 - 0.050	--	0.9 - 1.5um	0.94 - 1.10
	COPPER (SEE NOTE 8)	1.10-1.16 (1.15 DRILL)	0.025 - 0.050	--	--	0.94 - 1.10



RECOMMENDED PCB LAYOUT

dr	Eric Jiang	2013/05/14	projection	MM	size	A2	scale	4:1	
eng	Hai-Ling Liu	2014/12/04			ecn no.	-	rel level	Released	
chr	-	-							
appr	Pei-Ming Zheng	2014/12/04	product family	R/A RECEPTACLE 20PI4S		dwg no.	10125026	rev	A
www.fci.com			cat. no.	Product - Customer Drw		sheet 2 of 4			



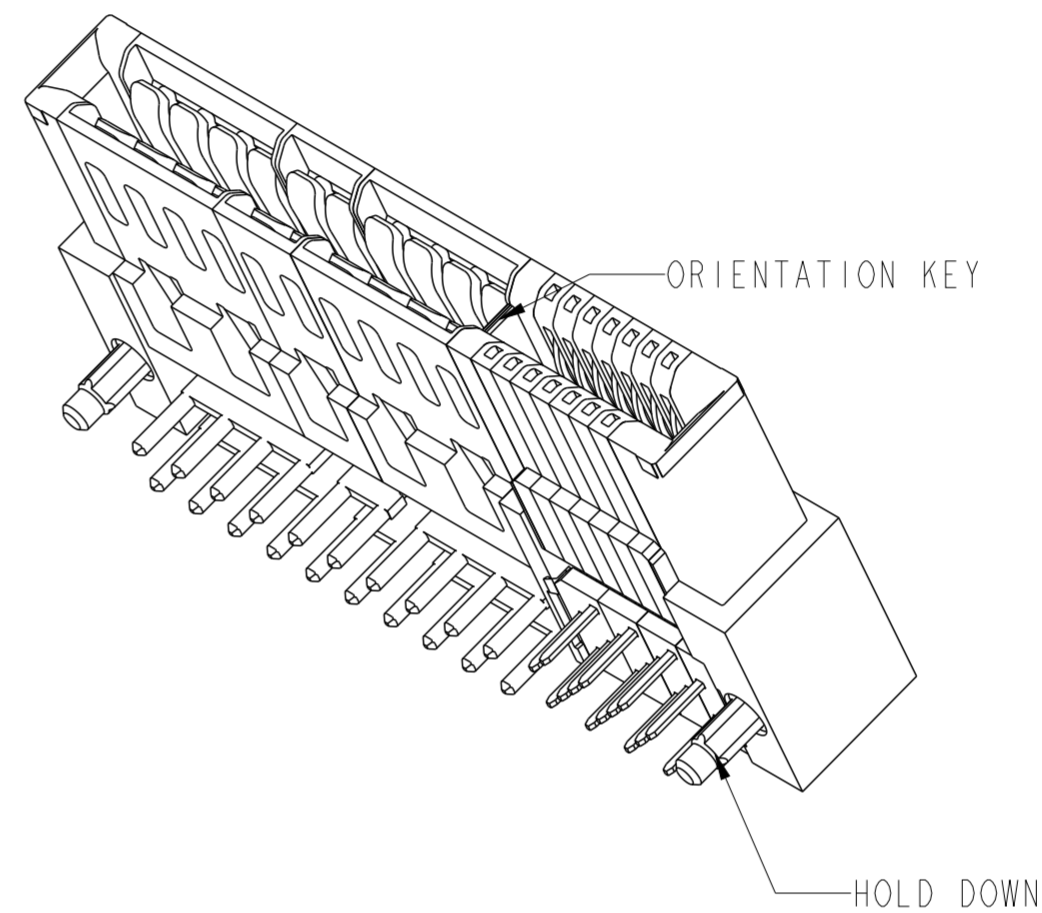


RECOMMENDED MATING BOARD FOOT PRINT

dr	Eric Jiang	2013/05/14	projection	MM	size	A2	scale	4:1
eng	Hai-Ling Liu	2014/12/04			ecn no.	-		
chr	-	-			rel level	Released		
appr	Pei-Ming Zheng	2014/12/04	product family		cat. no.	10125026	rev	A
www.fci.com			Product - Customer Drw		sheet 3 of 4			

TABLE 2

PART NUMBER	TAIL TYPE	ORIENTATION KEY	HOLD DOWN	DIM A±0.25 TAIL LENGTH
10125026-001LF	SOLDER TAIL	YES	YES	3.25
10125026-002LF			NO	3.25
10125026-003LF			YES	2.60
10125026-004LF			NO	2.60
10125026-005LF		NO	YES	3.25
10125026-006LF			NO	3.25
10125026-007LF			YES	2.60
10125026-008LF			NO	2.60



NOTES:

1. CONNECTOR MATERIALS:
 HOUSING: HIGH TEMPERATURE THERMAL PLASTIC, BLACK
 UL 94V-0 COMPLIANT
 CONTACTS: HIGH PERFORMANCE COPPER ALLOY.
2. CONTACT FINISH REF. GS-12-604 SECTION 5.2.
3. PRODUCT SPECIFICATION: GS-12-604.
4. APPLICATION SPECIFICATION: GS-20-128.
5. PRODUCT MARKING (FCI - PART NUMBER & DATE CODE) ON HOUSING IN AREA SHOWN.
6. PACKAGING MEETS FCI SPECIFICATION GS-14-937.
7. HOUSING COMPONENT WILL WITHSTAND EXPOSURE TO 260°C PEAK TEMPERATURE FOR 60 SECONDS IN A CONVECTION, INFRA-RED, OR VAPOR PHASE REFLOW OVEN.
8. COPPER PLATING THICKNESS IN CENTER OF VIA-HOLE CAN BE NO MORE THAN 0.003 LESS THAN OTHER AREAS.
9. ALL HOLE SIZES ARE FINISHED HOLE SIZES.
10. MOUNTING HOLES ARE UNPLATED
 \varnothing 2.18 +/- 0.03 FOR SOLDER TAILS

dr	Eric Jiang	2013/05/14	projection	MM	size	A2	scale	4:1
eng	Hai-Ling Liu	2014/12/04			ecn no.	-	rel level	
chr	-	-			product family	Released		
appr	Pei-Ming Zheng	2014/12/04			cat. no.	R/A RECEPTACLE 20PI4S		rev
					cat. no.	HIGH POWER CARD EDGE		A
					Product - Customer Drw		sheet 4 of 4	