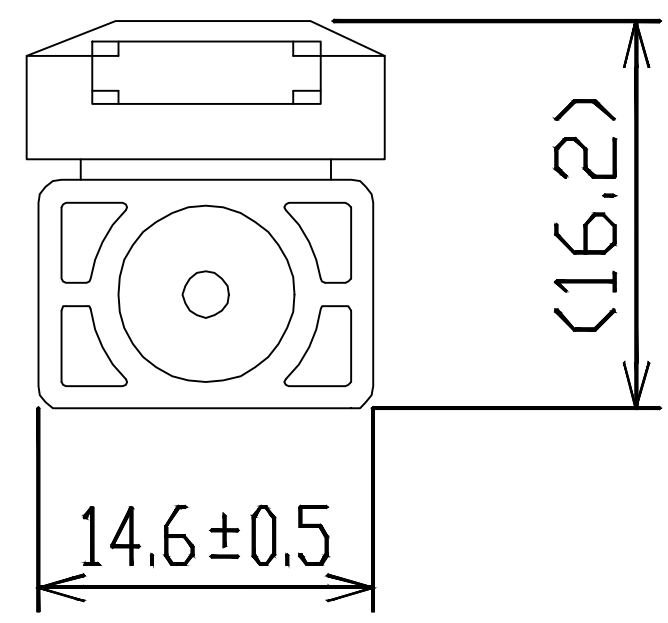
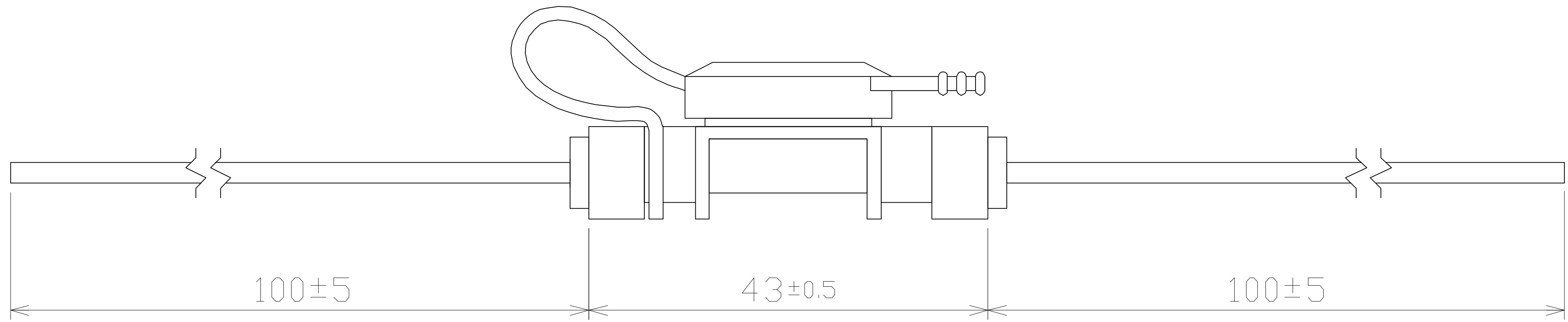
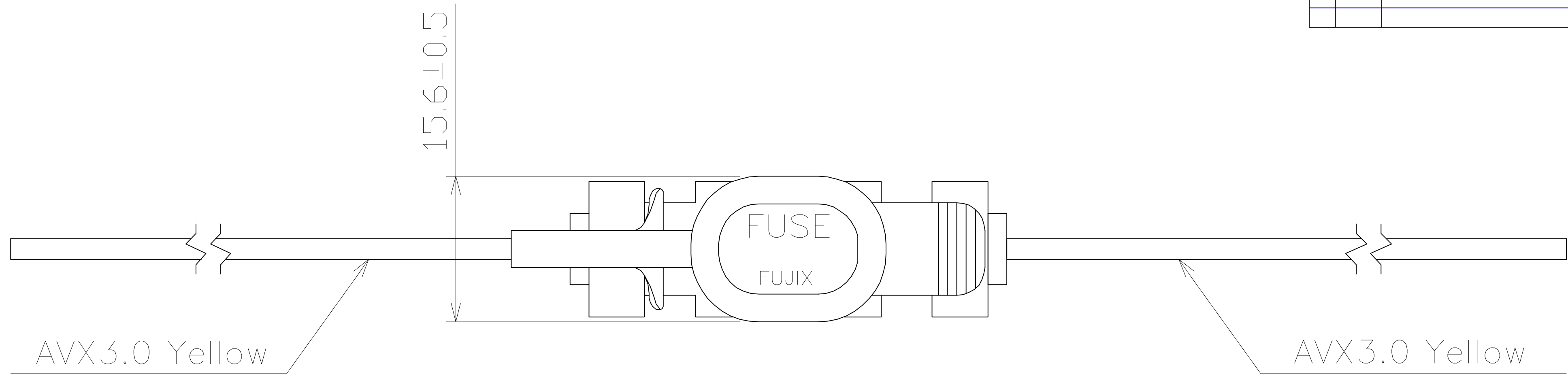


LTR	DATE	REVISION	CHK	APD
A	07/18/14	510794ERA-NEW RELEASED	FYUE	



UNLESS OTHERWISE SPECIFIED, DIMENSIONS ARE IN MILLIMETERS. DIMENSIONS IN BRACKETS [ ] ARE INCHES.			
UNLESS OTHERWISE SPECIFIED, DIMENSIONS DO NOT INCLUDE PLATING.			
⊙	DENOTES CRITICAL CHARACTERISTICS.		
CPK	DENOTES CPK DIMENSIONS, -MINIMUM CPK VALUE		
<S>	DENOTES A CHARACTERISTIC THAT PROVIDES AN INDICATION OF PROCESS PERFORMANCE. PROCEDURE FOR MEASUREMENT AND TRACKING TO BE DEFINED IN LITTELFUSE INSPECTION INSTRUCTIONS		
CP	DENOTES CP DIMENSIONS, -MINIMUM CP VALUE MUST BE WITHIN THE DIMENSIONAL LIMITATIONS SHOWN ON DRAWING AND INITIALLY LOCATED TO ALLOW FOR MAXIMUM TOOL LIFE		
COPIES TO		MATL SPEC	
1	9	18	-
2	10	19	FINISH
3	12	20	-
4	13	21	DRW FYUE DATE 07/18/14 SCALE 1:1
5	14	23	CHK DATE SUPER DR
6	15	33	APPD DATE FINSH GOOD WT
7	16	43	GRAMS/PIECE
8	17	53	
TOLERANCE UNLESS OTHERWISE SPECIFIED			
ONE PLACE DEC +/- .3		THREE PLACE DEC +/- .100	
TWO PLACE DEC +/- .25		ANGULAR +/- 1°	
3RD ANGLE PROJECTION	TITLE IN-LINE HOLDER, LP MINI 3.0MM2, UP TO 30A BULK		
	REVISION	DRWG. NO.	OUTLINE
	A	FHLM0002Z	

Note.  
 1.This product adapt to the following fuses.  
 Low Profile fuse, Current rating: 30A MAX.

METRIC  
ASSEMBLY

CAD GENERATED DRAWING -- NO PENCIL CHANGES ALLOWED