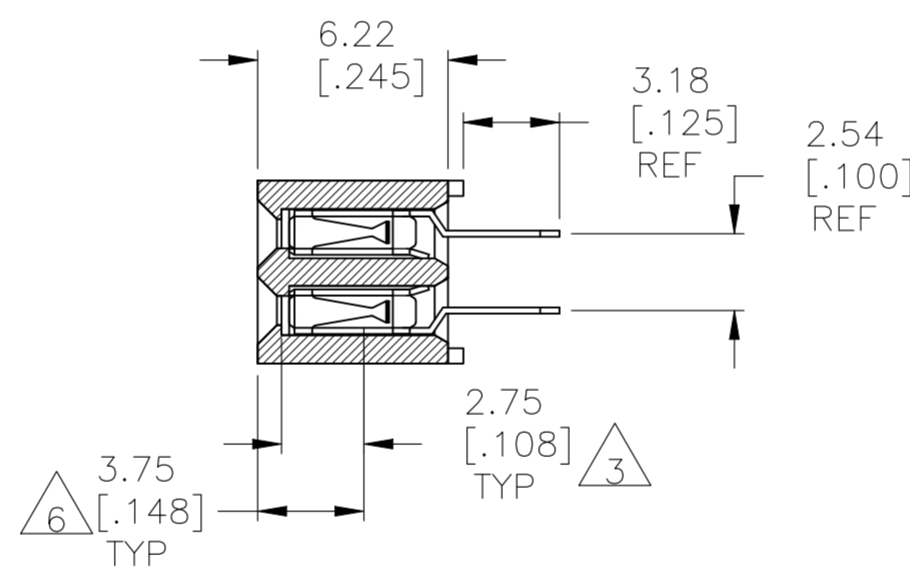
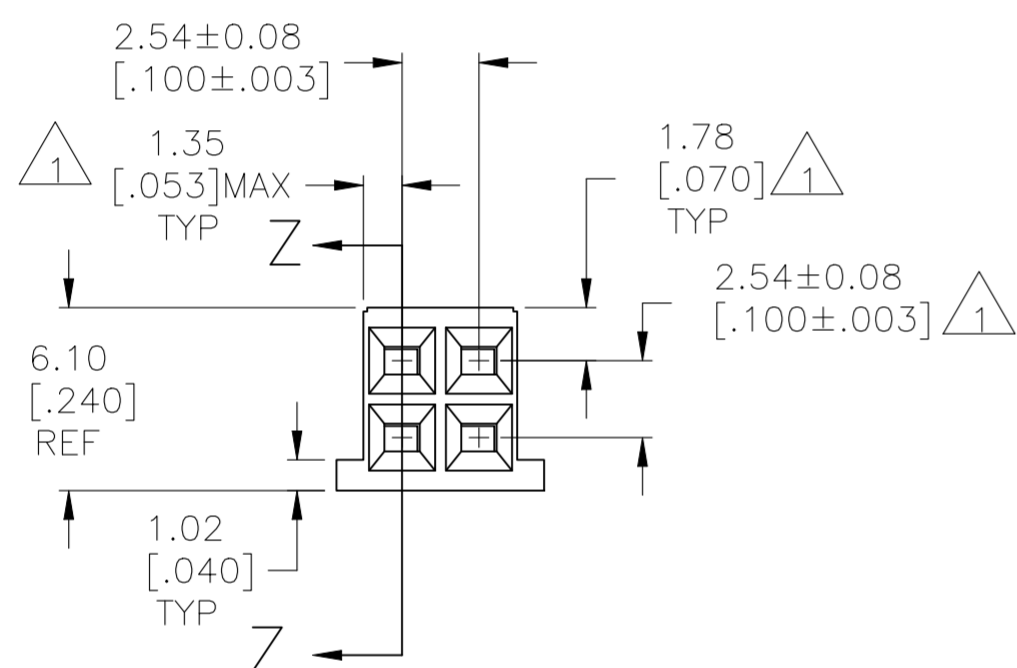
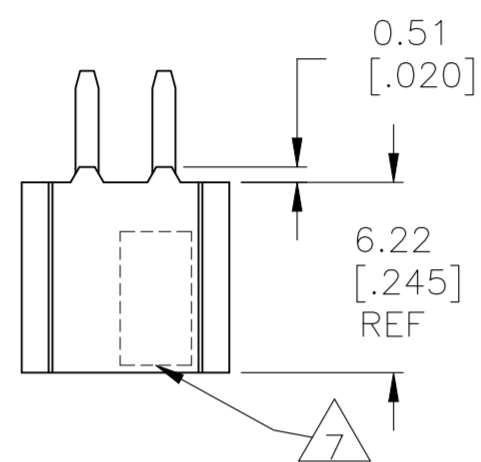
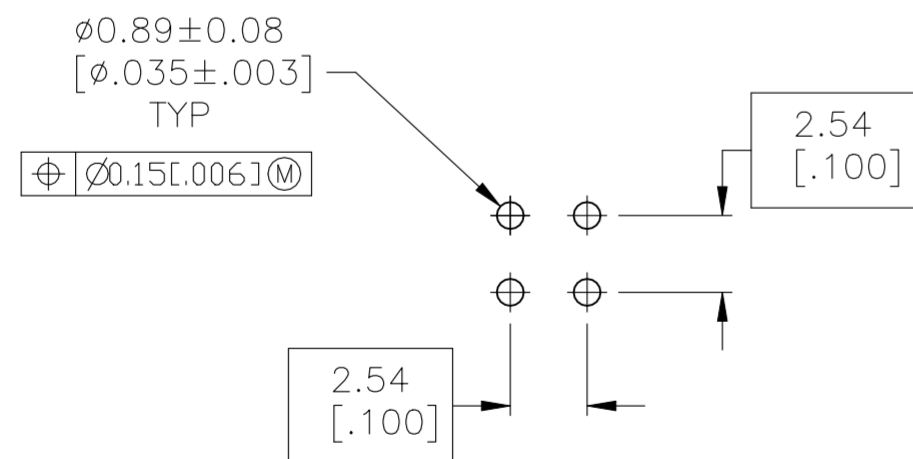


REVISIONS				
P	LTR	DESCRIPTION	DATE	DWN APVD
C		RESIN SUPPLIER CHANGE FOR THE HOUSING	03DEC2021	SCB KJK

- 1 THESE DIMENSIONS PERTAIN TO CAVITY CENTERLINES ONLY, NOT TO CONTACT LOCATIONS.
- 2 DUPLEX PLATED: 0.000762 (.000030) GOLD ON CONTACT AREA ONLY, 0.00381-0.00762 (.000150-.000300) BRIGHT TIN-LEAD ON SOLDER LEADS, ALL OVER 1.27 (.000050) MINIMUM NICKEL
- 3 POINT OF MEASUREMENT FOR PLATING THICKNESS (INSIDE CONTACT BEAMS).
- 4 HOUSING MATERIAL: FLAME RETARDANT, GLASS FILLED POLYESTER. COLOR: BLACK.
- 5 CONTACT MATERIAL: PHOSPHOR BRONZE.
- 6 POINT OF CONTACT DIMENSION.
- 7 TE LOGO AND CSA LOGO ARE MOLDED IN TO HOUSING
- 8 DUPLEX PLATED: 0.000762 (.000030) GOLD ON CONTACT AREA ONLY, 0.00381-0.00762 (.000150-.000300) MATTE TIN ON SOLDER LEADS, ALL OVER 1.27 (.000050) MINIMUM NICKEL
- 9 ROHS 2002/95/EC COMPLIANT
- 10. NO PART NUMBER MARKING REQUIRED ON THIS PART
- 11 OBSOLETE PARTS: OBSOLETE CIS STREAMLINING PER D.RENAUD/D.SINISI



SECTION Z-Z



RECOMMENDED PC BOARD LAYOUT

9 11 OBSOLETE	8	4	5-104985-1
	2	4	104985-1
FINISH NUMBER OF POSITIONS		PART NUMBER	

THIS DRAWING IS A CONTROLLED DOCUMENT.		DWN L. BRINER 13-12-96	TE TE Connectivity	
DIMENSIONS: mm [INCHES]		CHK G. SKIPPER 13-12-96		
TOLERANCES UNLESS OTHERWISE SPECIFIED:		APVD G. SKIPPER 13-12-96	NAME ASSEMBLY, MOD IV, DBL ROW, 2.54[.100] x 2.54[.100]	
0 PLC ± -		PRODUCT SPEC -	SIZE A2	
1 PLC ± -		APPLICATION SPEC -	CAGE CODE 00779	
2 PLC ± 0.13[.005]		WEIGHT -	DRAWING NO C=104985	
3 PLC ± -		CUSTOMER DRAWING	RESTRICTED TO -	
4 PLC ± -		SCALE 4:1	SHEET 1 of 1	
ANGLES ± -		REV C		
FINISH 4 5				
2 8				