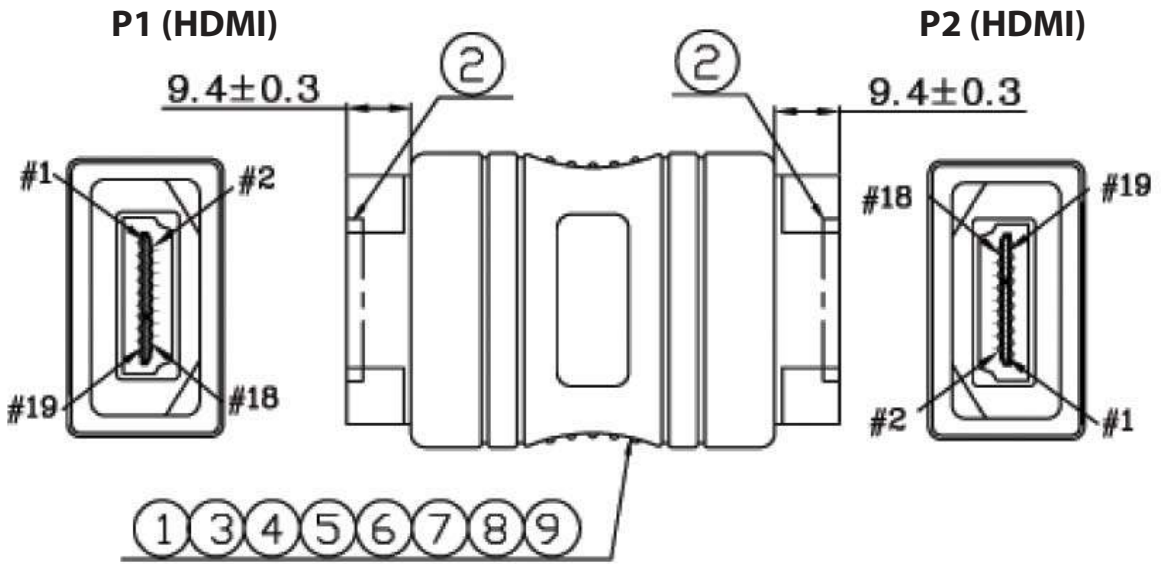


A
B
C
D
E
F
G
H



PIN ASSIGNMENT

P1	P2
1	1
3	3
2	2
4	4
6	6
5	5
7	7
9	9
8	8
10	10
12	12
11	11
13	13
15	15
16	16
17	17
19	19
18	18
S	S

NO	TYPE	DESCRIPTION	QTY	UNIT
*	XXXXXX	LABEL 50*25MM	403/400	PCS
*	330010004079		42/400	PCS
*	390	PE BAG 30*28*0.08MM	1/400	PCS
*	390	CARTON 46*30*20CM	1/400	PCS
*	390	PE BAG 6*8*0.06MM	1/10	PCS
*	370	PE BAG 3.5*3.5*0.06MM	1	PCS
9	120010000031	PVC-BLACK 10/50	6.5	G
8	230020000018	SOL-WIRE-FULL TIN-1.2	2.0	G
7	210010000096	FOIL-CU 18*45MM	1	PCS
6	210030000144	HI TEAMP TAPE W/8MM L/70MM	1	PCS
5	120020000001	PE-5321	3.5	G
4	230020000014	SOL-WIRE-FULL TIN-1.0	1.0	G
3	PDN0027A	PCB : DN0027	1	PCS
2	220050000107		2	PCS
1	110640000065	HDMI A type Conn ,FEMALE	2	PCS



Scale	1:1					Name	Item No.
TOLERANCE					Drawn	12.07.11	AB560-R
X.X	±0.40				Approved	Chappell	
X.XX	±0.25						
X.XXX	±0.15						
Angle	±3°						Title
							HDMI A to HDMI A, Adapter F-F
							Drawing No.
							rev00
							Replace
							Sheet
		Modification	Date	Name			