

## 2.5V/3.3V, 3.2 Gbps, Precision CML Dual-Channel Programmable Delay

### Features

- Dual-Channel, Programmable Delay Line
- Serial Programming Interface (SDATA, SCLK, SLOAD)
- Guaranteed AC Performance over Temperature and Voltage:
  - >3.2 Gbps/1.6 GHz  $f_{MAX}$
- Programming Accuracy:
  - Linearity: -15 ps to +15 ps INL
  - Monotonic: -5 ps to +25 ps
  - Resolution: 5 ps Programming Increments
- Low-Jitter Design: 1 ps<sub>RMS</sub> Typical Random Jitter
- Programmable Delay Range: 5 ns Delay Range
- Cascade Capability for Increased Delay
- Flexible Voltage Operation:
  - $V_{CC} = 2.5V \pm 5\%$  or  $3.3V \pm 10\%$
- Industrial Temperature Range: -40°C to +85°C
- Available in 24-Lead (4 mm x 4 mm) QFN Package

### Applications

- Clock De-Skewing
- Timing Adjustments
- Aperture Centering
- System Calibration

### Markets

- Automated Test Equipment
- Digital Radio and Video Broadcasting
- Closed Caption Encoders/Decoders
- Test and Measurement

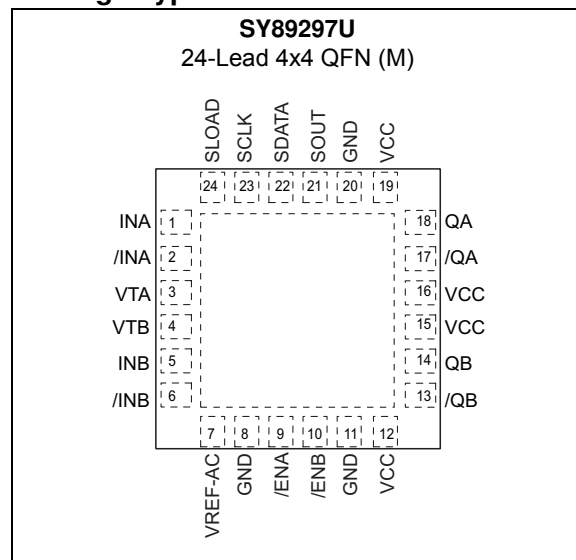
### General Description

The SY89297U is a DC-3.2 Gbps programmable, two-channel delay line. Each channel has a delay range from 2 ns to 7 ns (5 ns delta delay) in programmable increments as small as 5 ps. The delay step is extremely linear and monotonic over the entire programming range, with 15 ps INL over temperature and voltage.

The delay varies in discrete steps based on a serial control word provided by the 3-pin serial control (SDATA, SCLK, and SLOAD). The control word for each channel is 10-bits. Both channels are programmed through a common serial interface. For increased delay, multiple SY89297U delay lines can be cascaded together.

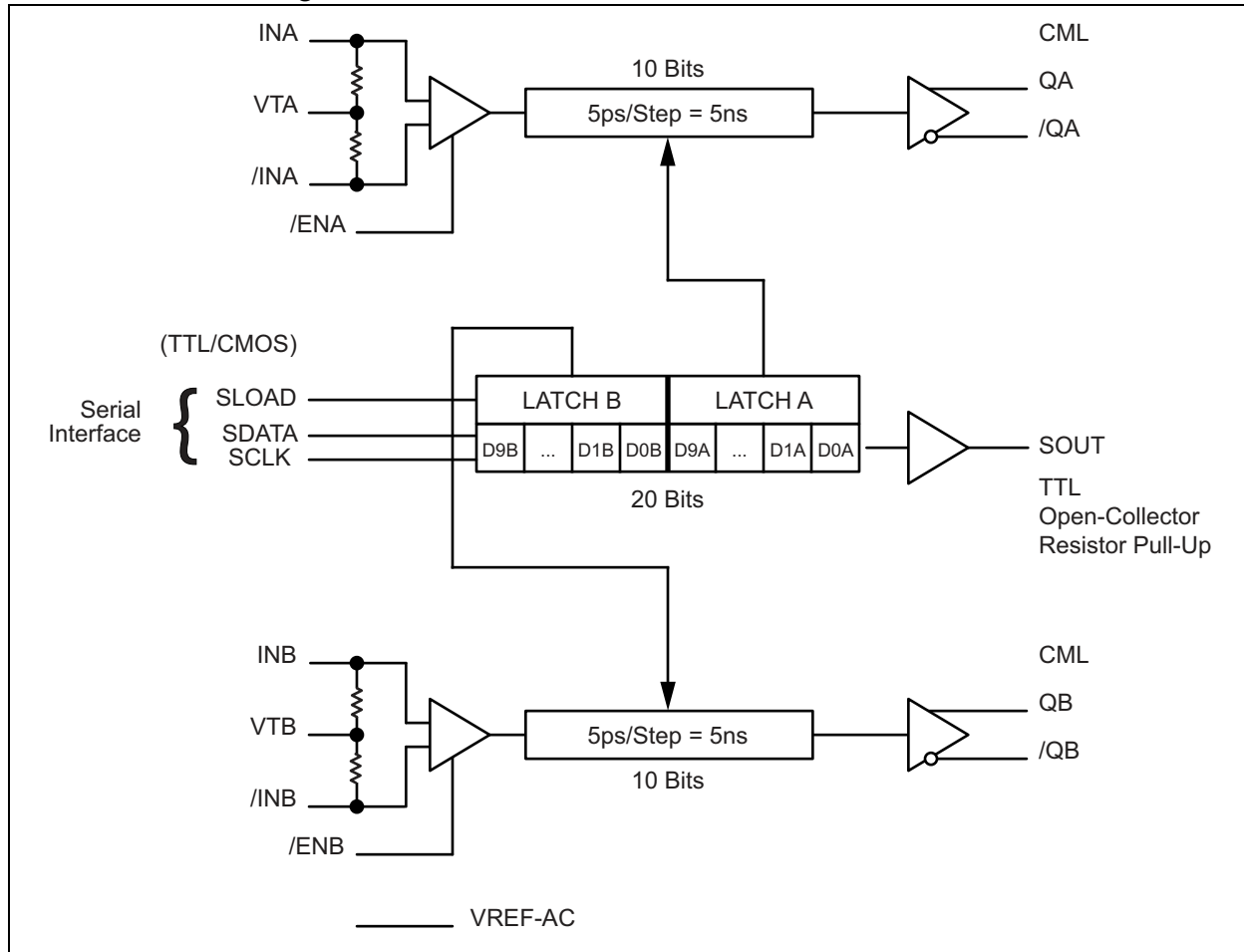
The SY89297U provides two independent 3.2 Gbps delay lines in an ultra-small 4 mm x 4 mm, 24-pin QFN package. For other delay line solutions, consider the SY89295U and SY89296U single-channel delay lines. Evaluation boards are available for all these parts.

### Package Type



# SY89297U

## Functional Block Diagram



## 1.0 ELECTRICAL CHARACTERISTICS

### Absolute Maximum Ratings †

Supply Voltage ( $V_{CC}$ )	-0.5V to +4.0V
Input Voltage ( $V_{IN}$ )	-0.5V to $V_{CC}$
CML Output Voltage ( $V_{OUT}$ )	$V_{CC} - 1.0V$ to $V_{CC} + 0.5V$
Current (Source or Sink Current on $V_T$ )	±70 mA
Input Current (Source or Sink Current on IN, /IN)	±35 mA
Current ( $V_{REF}$ , Source or Sink Current on $V_{REF-AC}$ ) (Note 1)	±0.5 mA

### Operating Ratings ‡

Supply Voltage ( $V_{CC}$ for $T_A = -40^\circ\text{C}$ to $+85^\circ\text{C}$ )	+2.375V to +2.625V
Supply Voltage ( $V_{CC}$ for $T_A = -40^\circ\text{C}$ to $+75^\circ\text{C}$ )	+3.0V to +3.6V

† **Notice:** Stresses above those listed under “Absolute Maximum Ratings” may cause permanent damage to the device. This is a stress rating only and functional operation of the device at those or any other conditions above those indicated in the operational sections of this specification is not intended. Exposure to maximum rating conditions for extended periods may affect device reliability.

‡ **Notice:** The device is not guaranteed to function outside its operating ratings.

**Note 1:** Due to the limited drive capability, use for input of the same package only.

**TABLE 1-1: DC ELECTRICAL CHARACTERISTICS**

**Electrical Characteristics:**  $T_A = -40^\circ\text{C}$  to  $+85^\circ\text{C}$ , Channels A and B, unless noted. [Note 1](#)

Parameter	Symbol	Min.	Typ.	Max.	Units	Conditions
Power Supply Voltage Range	$V_{CC}$	2.375	2.5	2.625	V	$T_A = -40^\circ\text{C}$ to $+85^\circ\text{C}$
		3.0	3.3	3.6		$T_A = -40^\circ\text{C}$ to $+75^\circ\text{C}$
		3.0	3.3	3.6		$T_A = -40^\circ\text{C}$ to $+85^\circ\text{C}$ , Airflow = 500 lfpm
Power Supply Current	$I_{CC}$	—	195	250	mA	Maximum $V_{CC}$ , Both Channels Combined, Output Load Included
Input Resistance (IN-to- $V_T$ , /IN-to- $V_T$ )	$R_{IN}$	45	50	55	$\Omega$	—
Differential Input Resistance (IN-to-/IN)	$R_{DIFF\_IN}$	90	100	110	$\Omega$	—
Input HIGH Voltage (IN, /IN)	$V_{IH}$	1.2	—	$V_{CC}$	V	—
Input LOW Voltage (IN, /IN)	$V_{IL}$	0	—	$V_{IH} - 0.1$	V	—
Input Voltage Swing (IN, /IN)	$V_{IN}$	0.1	—	1.0	V	See <a href="#">Figure 5-1</a>
Differential Input Voltage Swing ( IN - /IN )	$V_{DIFF\_IN}$	0.2	—	—	V	See <a href="#">Figure 5-2</a>
Output Reference Voltage	$V_{REF-AC}$	$V_{CC} - 1.3$	$V_{CC} - 1.2$	$V_{CC} - 1.1$	V	—
Voltage from Input to $V_T$	$V_{T\_IN}$	—	—	1.28	V	—

**Note 1:** The circuit is designed to meet the DC specifications show in the table above after thermal equilibrium has been established.

# SY89297U

**TABLE 1-2: CML OUTPUTS DC ELECTRICAL CHARACTERISTICS**

**Electrical Characteristics:**  $V_{CC} = +2.5V \pm 5\%$  or  $+3.3V \pm 10\%$ ,  $R_L = 100\Omega$  across the outputs;  $T_A = -40^\circ C$  to  $+85^\circ C$ , unless otherwise stated. [Note 1](#)

Parameter	Symbol	Min.	Typ.	Max.	Units	Conditions
Output HIGH Voltage	$V_{OH}$	$V_{CC} - 0.02$	$V_{CC} - 0.01$	$V_{CC}$	V	$R_L = 50\Omega$ to $V_{CC}$
Output Voltage Swing	$V_{OUT}$	325	400	—	mV	See <a href="#">Figure 5-1</a>
Differential Output Voltage Swing	$V_{DIFF\_OUT}$	650	800	—	mV	See <a href="#">Figure 5-2</a>
Output Source Impedance	$R_{OUT}$	45	50	55	$\Omega$	—

**Note 1:** The circuit is designed to meet the DC specifications shown in the above table after thermal equilibrium has been established.

**TABLE 1-3: LVTTTL/CMOS DC ELECTRICAL CHARACTERISTICS**

**Electrical Characteristics:**  $V_{CC} = 2.5V \pm 5\%$  or  $3.3V \pm 10\%$ ;  $T_A = -40^\circ C$  to  $+85^\circ C$ ; unless otherwise stated. [Note 1](#)

Parameter	Symbol	Min.	Typ.	Max.	Units	Conditions
Input High Voltage	$V_{IH}$	2.0	—	—	V	—
Input Low Voltage	$V_{IL}$	—	—	0.8	V	—
Input High Current	$I_{IH}$	—	—	150	$\mu A$	$V_{IH} = V_{CC}$
Input Low Current	$I_{IL}$	—	—	50	$\mu A$	$V_{IL} = 0.8V$
Output LOW Voltage	$V_{OL}$	—	—	0.55	V	SOUT Pin; $I_{OL} = 1\text{ mA}$
Output High Leakage Current		—	—	100	$\mu A$	$SOUT = V_{CC}$

**Note 1:** The circuit is designed to meet the DC specifications shown in the above table after thermal equilibrium has been established.

**TABLE 1-4: AC ELECTRICAL CHARACTERISTICS**

Electrical Characteristics:  $T_A = -40^\circ\text{C}$  to  $+85^\circ\text{C}$ , Channels A and B, unless otherwise stated. [Note 1](#)

Parameter	Symbol	Min.	Typ.	Max.	Units	Conditions
Maximum Operating Frequency	$f_{\text{MAX}}$	1.6	—	—	GHz	Clock: $V_{\text{OUT}}$ Swing $>200\text{ mV}_{\text{pk}}$
		3.2	—	—	Gbps	NRZ Data
Propagation Delay	$t_{\text{pd}}$	1000	—	2000	ps	IN to Q; D[0-9] = 0
		5500	—	7500		IN to Q; D[0-9] = 1023
		1000	—	2500		/EN to Q; D[0-9] = 0; $V_{\text{TH}} = V_{\text{CC}}/2$
		2000	—	4500		SDATA to SOUT (D0-D9 = Low), No load
Programmable Range	$t_{\text{RANGE}}$	4150	5115	—	ps	$t_{\text{pd}(\text{MAX})} - t_{\text{pd}(\text{MIN})}$
Step Delay	$\Delta t$	—	5	—	ps	D0 High
		—	10	—		D1 High
		—	20	—		D2 High
		—	40	—		D3 High
		—	80	—		D4 High
		—	160	—		D5 High
		—	320	—		D6 High
		—	640	—		D7 High
		—	1280	—		D8 High
		—	2560	—		D9 High
		—	5115	—		D0-D9 High
		-5	—	25		Monotonic
		Integral Non-Linearity	INL	-15		—
Set-Up Time	$t_{\text{S}}$	400	—	—	ps	SDATA to SCLK
		400	—	—		SCLK to SLOAD, <a href="#">Note 3</a>
		300	—	—		/EN to IN, <a href="#">Note 4</a>
Hold Time	$t_{\text{H}}$	300	—	—	ps	SLOAD to SCLK, <a href="#">Note 5</a>
		-100	—	—		IN to /EN, <a href="#">Note 6</a>
		200	—	—		SCLK to SDATA

# SY89297U

**TABLE 1-4: AC ELECTRICAL CHARACTERISTICS (CONTINUED)**

**Electrical Characteristics:**  $T_A = -40^{\circ}\text{C}$  to  $+85^{\circ}\text{C}$ , Channels A and B, unless otherwise stated. [Note 1](#)

Parameter	Symbol	Min.	Typ.	Max.	Units	Conditions
Pulse Width	$t_{PW}$	1000	—	—	ps	SLOAD
Release Time	$t_R$	800	—	—	ps	/EN to IN, <a href="#">Note 7</a>
Cycle-to-Cycle Jitter	$t_{JITTER}$	—	—	2	ps <sub>RMS</sub>	<a href="#">Note 8</a>
Total Jitter		—	—	20	ps <sub>PP</sub>	<a href="#">Note 9</a>
Random Jitter		—	—	2	ps <sub>RMS</sub>	<a href="#">Note 10</a>
Output Rise/Fall Time	$t_r/t_f$	30	55	80	ps	20% to 80% (Q)
Duty Cycle	—	45	—	55	%	Input frequency = 1.6 GHz

**Note 1:** High frequency AC electricals are guaranteed by design and characterization.

- 2: INL (Integral Non-Linearity) is defined from its corresponding point on the ideal delay versus D[9:0] curve as the deviation from its ideal delay. The maximum difference is the INL. Theoretical Ideal Linearity (TIL) = (measured maximum delay – measured minimum delay) ÷ 1023. INL = measured delay – (measured minimum delay + (step number x TIL)).
- 3: SCLK has to transition L-H a setup time before the SLOAD H-L transition to ensure the valid data is properly latched. See [Figure 4-2](#).
- 4: This setup time is the minimum time that /EN must be asserted prior to the next transition of IN / /IN to prevent an output response greater than  $\pm 75$  mV to that IN or /IN transition. See [Figure 4-3](#).
- 5: SCLK has to transition L-H a hold time after the SLOAD H-L transition to ensure that the valid data is properly latched before starting to load new data. See [Figure 4-2](#).
- 6: This hold time is the minimum time that /EN must remain asserted after a negative going transition of IN to prevent an output response greater than  $\pm 75$  mV to the IN transition. See [Figure 4-3](#).
- 7: This release time is the minimum time that /EN must be de-asserted prior to the next IN / /IN transition to affect the propagation delay of IN to Q less than 1 ps. See [Figure 4-3](#).
- 8: Cycle-to-cycle jitter definition: The variation of periods between adjacent cycles over a random sample of adjacent cycle pairs  $T_{jitter\_cc} = T_n - T_{n+1}$ , where T is the time between rising edges of the output signal.
- 9: Total jitter definition: With an ideal clock input, no more than one output edge in  $10^{12}$  output edges will deviate by more than the specified peak-to-peak jitter value.
- 10: Random jitter definition: Jitter that is characterized by a Gaussian distribution, unbounded and is quantified by its standard deviation and mean. Random jitter is measured with a K28.7 comma detect pattern, measured at 1.5 Gbps.

## TEMPERATURE SPECIFICATIONS (Note 1)

Parameters	Sym.	Min.	Typ.	Max.	Units	Conditions
<b>Temperature Ranges</b>						
Junction Operating Temperature	$T_J$	—	—	+125	°C	—
Storage Temperature Range	$T_S$	-65	—	+150	°C	—
Lead Temperature	—	—	—	+260	°C	Soldering, 20s
Ambient Temperature Range	$T_A$	-40	—	+85	°C	—
<b>Package Thermal Resistances, Note 2</b>						
Thermal Resistance QFN-24	$\theta_{JA}$	—	43	—	°C/W	Still-Air
	$\Psi_{JB}$	—	30.5	—	°C/W	Junction-to-Board

- Note 1:** The maximum allowable power dissipation is a function of ambient temperature, the maximum allowable junction temperature and the thermal resistance from junction to air (i.e.,  $T_A$ ,  $T_J$ ,  $\theta_{JA}$ ). Exceeding the maximum allowable power dissipation will cause the device operating junction temperature to exceed the maximum +125°C rating. Sustained junction temperatures above +125°C can impact the device reliability.
- 2:** Thermal performance on QFN packages assumes exposed pad is soldered (or equivalent) to the device most negative potential (GND).

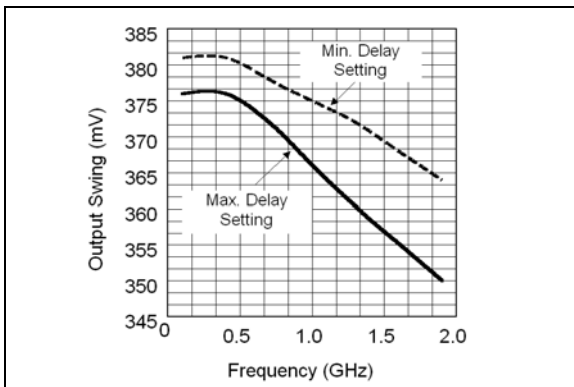
# SY89297U

## 2.0 TYPICAL PERFORMANCE CURVES

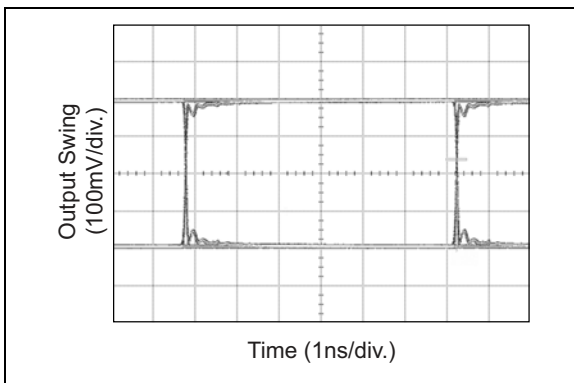
**Note:** The graphs and tables provided following this note are a statistical summary based on a limited number of samples and are provided for informational purposes only. The performance characteristics listed herein are not tested or guaranteed. In some graphs or tables, the data presented may be outside the specified operating range (e.g., outside specified power supply range) and therefore outside the warranted range.

$V_{CC} = +2.5V$ ,  $GND = 0V$ ,  $V_{IN} = 100\text{ mV}$ ,  $R_L = 100\Omega$  across the outputs,  $T_A = +25^\circ\text{C}$  for Figure 2-1.

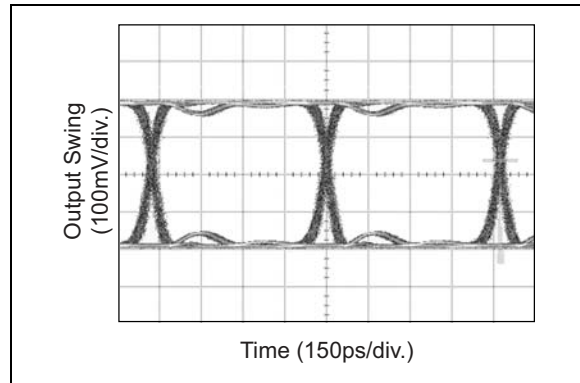
$V_{CC} = 2.5V$  or  $3.3V$ ,  $GND = 0V$ ,  $V_{IN} = 100\text{ mV}$ ,  $R_L = 100\Omega$  across the outputs,  $T_A = +25^\circ\text{C}$ , Maximum Delay (D0-D9 = High) for Figure 2-2 through Figure 2-5.



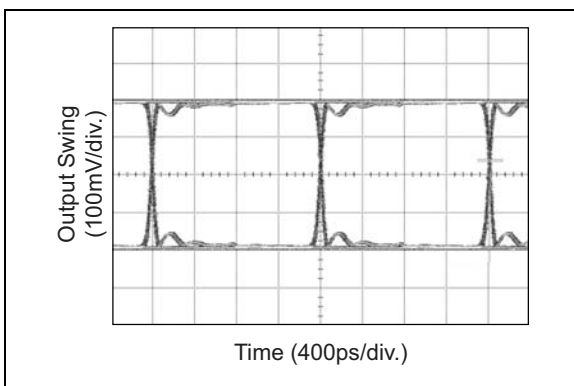
**FIGURE 2-1:** Output Swing vs. Frequency.



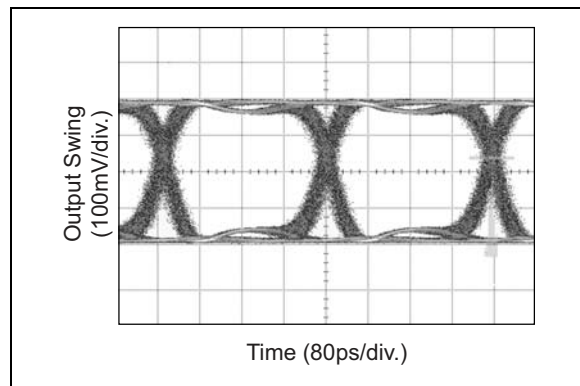
**FIGURE 2-2:** 155 Mbps Clock.



**FIGURE 2-4:** 1.6 Gbps Clock.



**FIGURE 2-3:** 622 Mbps Clock.

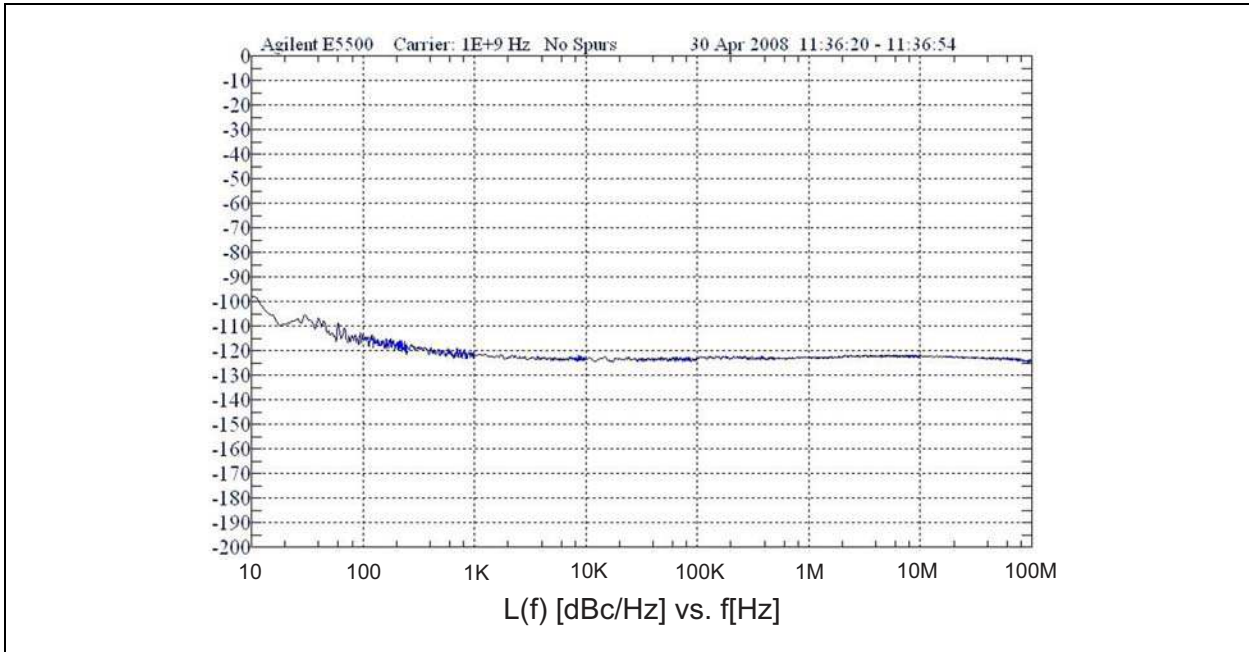


**FIGURE 2-5:** 3.2 Gbps Clock.



## 2.1 Phase Noise Chart

$V_{CC} = +2.5V$ ,  $GND = 0V$ ,  $V_{IN} = 100\text{ mV}$ ,  $R_L = 100\Omega$  across the outputs,  $T_A = +25^\circ\text{C}$ .



**FIGURE 2-6:**  $f_C$ : 1 GHz. Delay Setting: 00001 00110 (2 ns).

# SY89297U

## 3.0 PIN DESCRIPTIONS

The descriptions of the pins are listed in [Table 3-1](#).

**TABLE 3-1: PIN FUNCTION TABLE**

Pin Number	Pin Name	Description
1, 2	INA, /INA	Channel A Differential Input: INA and /INA pins receive the Channel A data. QA and /QA are the delayed product of INA and /INA. Each input is internally terminated to VTA through a 50Ω resistor (100Ω across INA and /INA).
3	VTA	Input A Termination Center-Tap: Each side of the differential input pair terminates to this pin. This pin provides a center-tap to a termination network for maximum interface flexibility. See the <a href="#">Input Interface Applications</a> section.
4	VTB	Input B Termination Center-Tap: Each side of the differential input pair terminates to this pin. This pin provides a center-tap to a termination network for maximum interface flexibility. See the <a href="#">Input Interface Applications</a> section.
5, 6	INB, /INB	Channel B Differential Input: INB and /INB pins receive the Channel B data. QB and /QB are the delayed product of INB and /INB. Each input is internally terminated to VTB through a 50Ω resistor (100Ω across INB and /INB).
7	VREF-AC	Reference Voltage Output: For AC-coupled input signals, this pin can bias the inputs IN and /IN. Connect VREF-AC directly to the VT input pin for each channel. De-couple to V <sub>CC</sub> using a 0.01 μF capacitor. Maximum sink/source current is ±0.5 mA. For DC-coupled input applications, leave VREF-AC pin floating.
8, 11, 20	GND, Exposed Pad	Negative Supply: Exposed pad must be connected to a ground plane that is the same potential as the ground pins.
9	/ENA	CMOS/TTL-Compatible Enable Input: When the /ENA pin is pulled HIGH, QA is held LOW and /QA goes HIGH after the programmed delay propagates through the part. /ENA contains a 67 kΩ pull-down resistor and defaults LOW when left floating. Logic threshold level is V <sub>CC</sub> /2
10	/ENB	CMOS/TTL-Compatible Enable Input: When the /ENB pin is pulled HIGH, QB is held LOW and /QB goes HIGH after the programmed delay propagates through the part. /ENB contains a 67 kΩ pull-down resistor and defaults LOW when left floating. Logic threshold level is V <sub>CC</sub> /2
12, 15, 16, 19	VCC	Power Supply: Bypass each supply pin with 0.1 μF//0.01 μF low-ESR capacitors. See <a href="#">Table 1-1</a> for more details. 2.5V ±5% or 3.3V ±10%.
13, 14	/QB, QB	CML Differential Output: QB and /QB are the delayed product of INB, /INB. CML outputs are terminated at the destination with 100Ω across the pair. See the <a href="#">CML Output Termination</a> section.
17, 18	/QA, QA	CML Differential Output: QA and /QA are the delayed product of INA, /INA. CML outputs are terminated at the destination with 100Ω across the pair. See the <a href="#">CML Output Termination</a> section.
21	SOUT	CMOS/TTL-compatible output: This pin is used to support cascading multiple SY89297U delay lines. Serial data is clocked into the SDATA input and is clocked out of SOUT into the next SY89297U delay line. SOUT pin includes an internal 550Ω pull-up resistor.
22, 23	SDATA, SCLK	CMOS/TTL-compatible 3-pin serial programming control inputs: The 3-pin serial control sets each channel's IN to Q delay. DA(0:9) control channel A delay. DB(0:9) control channel B. To program the two channels, insert a 20-bit word (DA0:DA9 and DB0:DB9) into SDATA and clock in the control bits with SCLK. Maximum input frequency to SCLK is 40 MHz. Data is loaded into the serial registers on the L-H transition of SCLK. After all 20-bits are clocked in, SLOAD latches the new delay bits. These pins have internal pull-downs at the inputs. See <a href="#">Table 1-4</a> for delay values. Logic threshold level is V <sub>CC</sub> /2. SCLK and SDATA contain a 67 kΩ pull-down resistor and default LOW when left floating.

**TABLE 3-1: PIN FUNCTION TABLE (CONTINUED)**

Pin Number	Pin Name	Description
24	SLOAD	CMOS/TTL-compatible 3-pin serial programming control input: SLOAD controls the latches that transfer scanned data to the delay line. These latches are transparent when SLOAD is high. Data transfers from the latch to the delay line on a L-H transition of SLOAD. SLOAD has to transition H-L before new data is loaded in the scan chain. When SLOAD is high, the latches are transparent and SCLK cannot switch. Otherwise, new data will immediately transfer to the scan chain. Logic threshold level is $V_{CC}/2$ . SLOAD contains a 67 k $\Omega$ pull-down resistor and defaults LOW when left floating.

### 3.1 Truth Tables

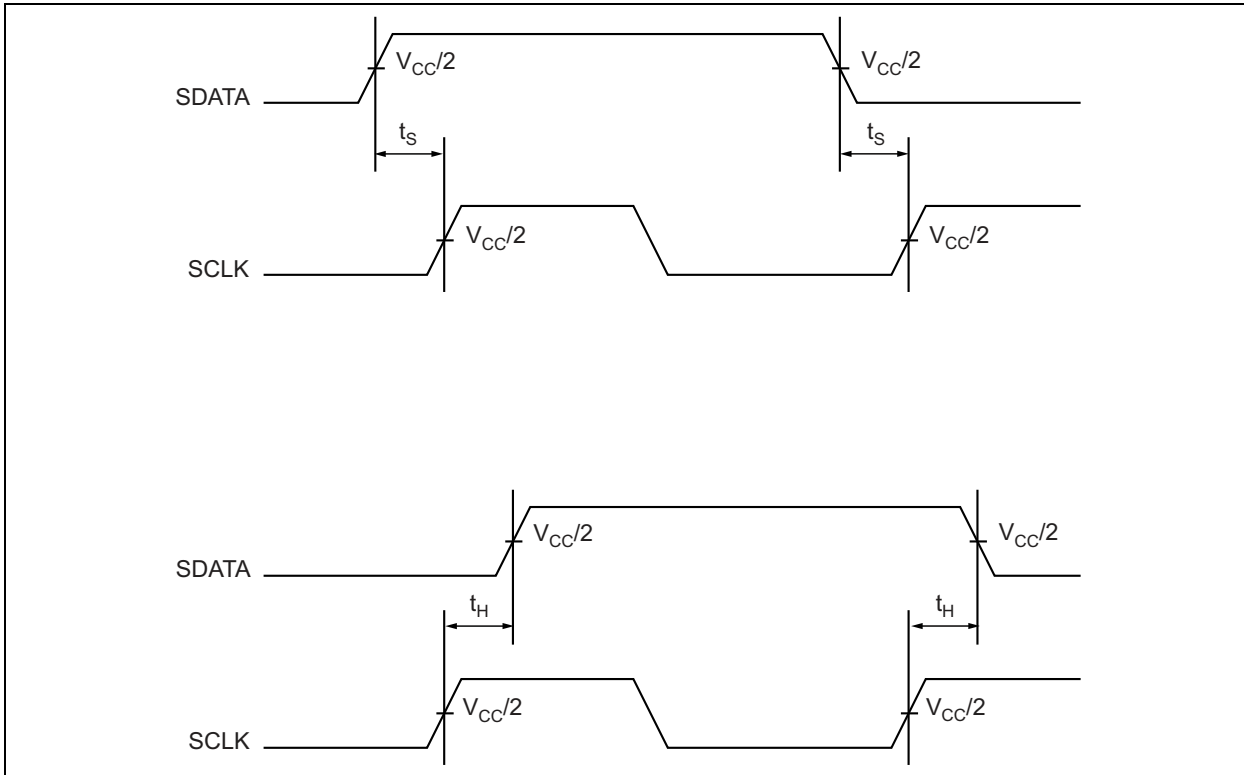
**TABLE 3-2: INPUTS/OUTPUTS**

Inputs		Outputs	
INA, INB	/INA, /INB	QA, QB	/QA, /QB
0	1	0	1
1	0	1	0

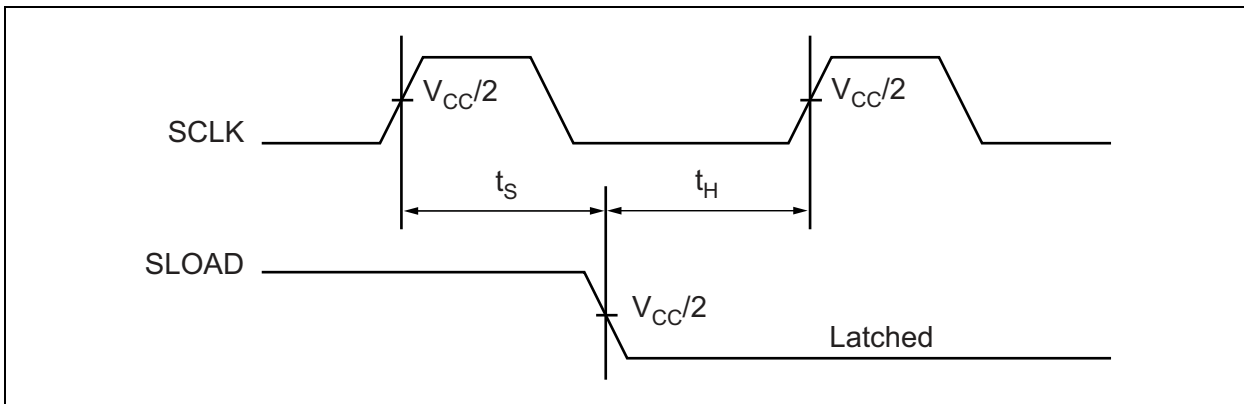
**TABLE 3-3: INPUT ENABLE (LATCHES OUTPUTS)**

/ENA, /ENB	Q, /Q (A, B)
1	Q = Low, /Q = HIGH
0	IN, /IN Delayed (normal operation)

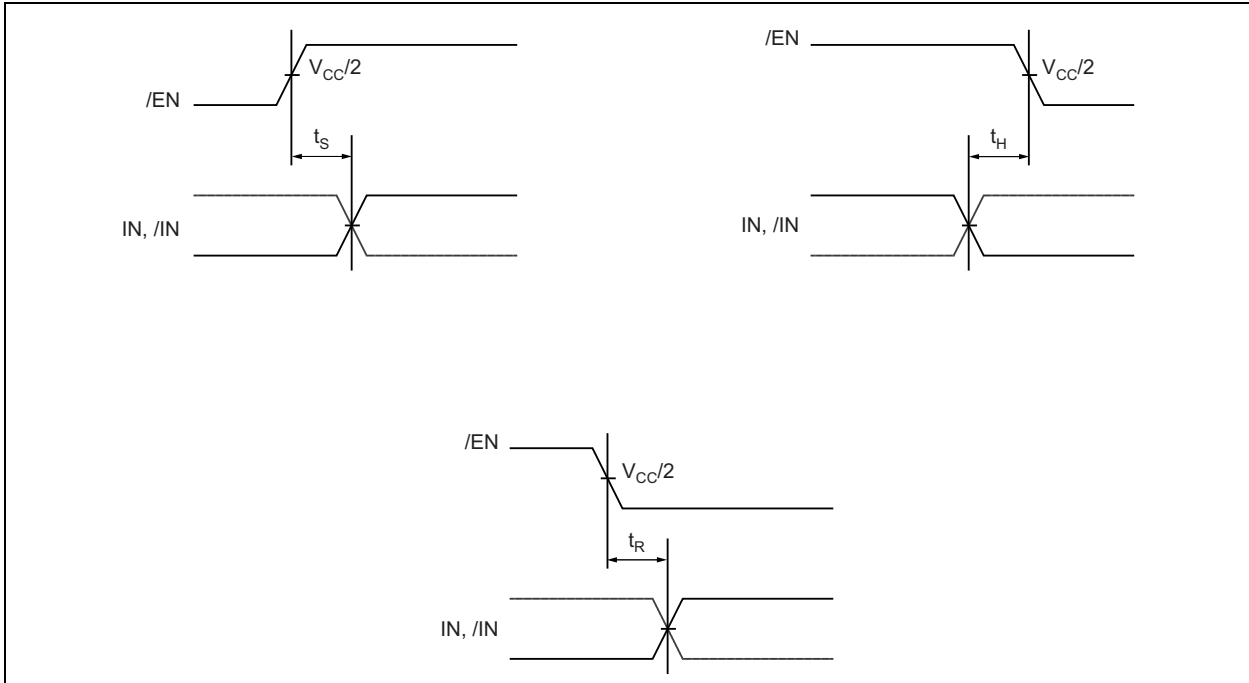
## 4.0 TIMING DIAGRAMS



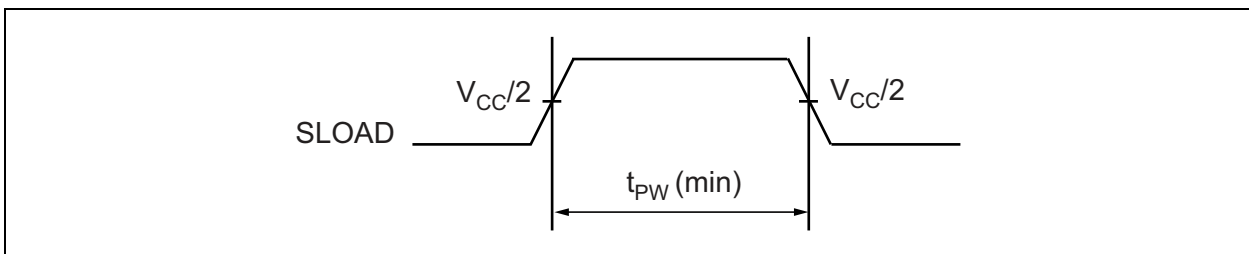
**FIGURE 4-1:** Setup and Hold Time: SDATA and SCLK.



**FIGURE 4-2:** Setup and Hold Time: SCLK and SLOAD.

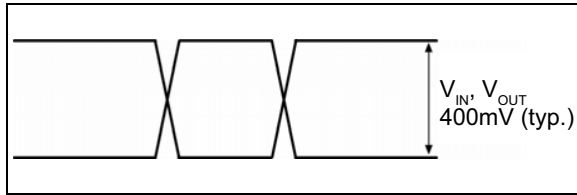


**FIGURE 4-3:** Setup, Hold, and Release Time:  $IN$  and  $/EN$ .

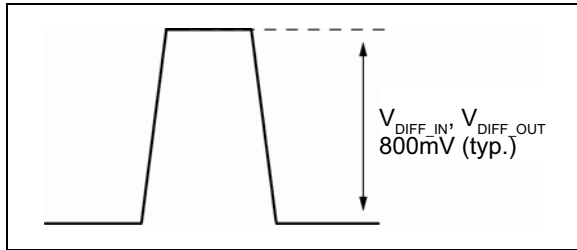


**FIGURE 4-4:**  $SLOAD$  Pulse Width ( $t_{PW}$ ).

## 5.0 VOLTAGE SWINGS

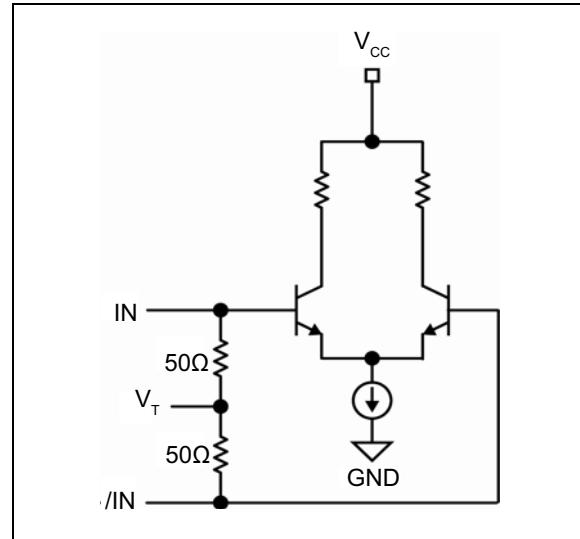


**FIGURE 5-1:** Single-Ended Voltage Swing.

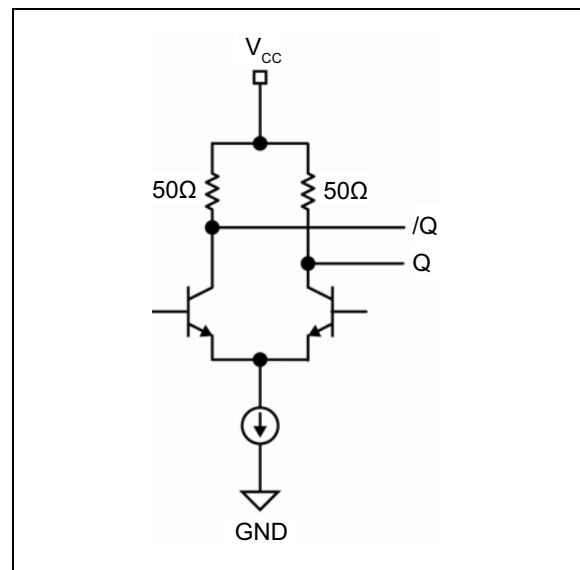


**FIGURE 5-2:** Differential Voltage Swing.

## 6.0 INPUT AND OUTPUT STAGES

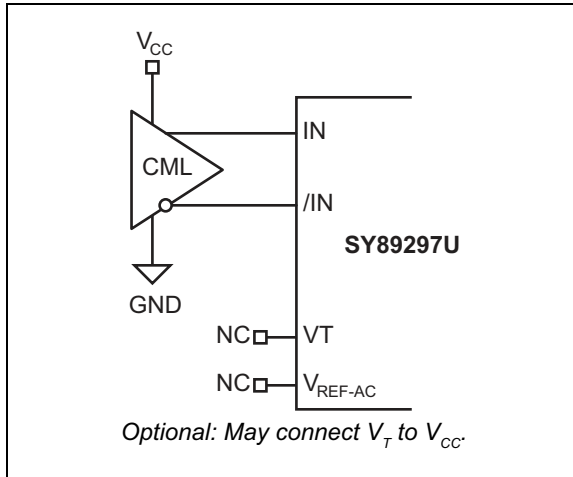


**FIGURE 6-1:** Input Stage.

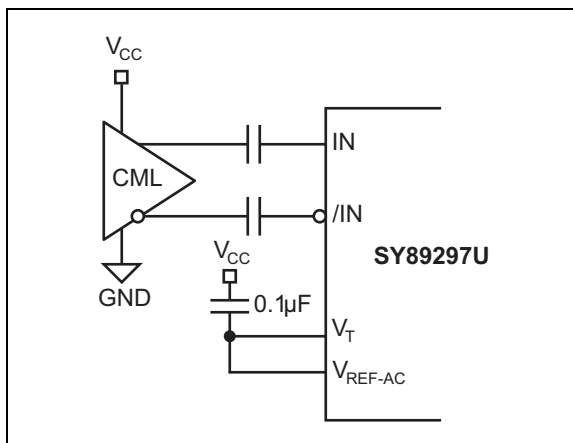


**FIGURE 6-2:** CML Output Stage.

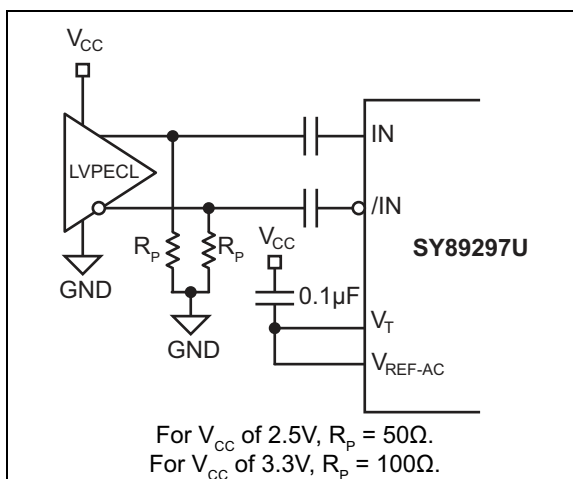
## 7.0 INPUT INTERFACE APPLICATIONS



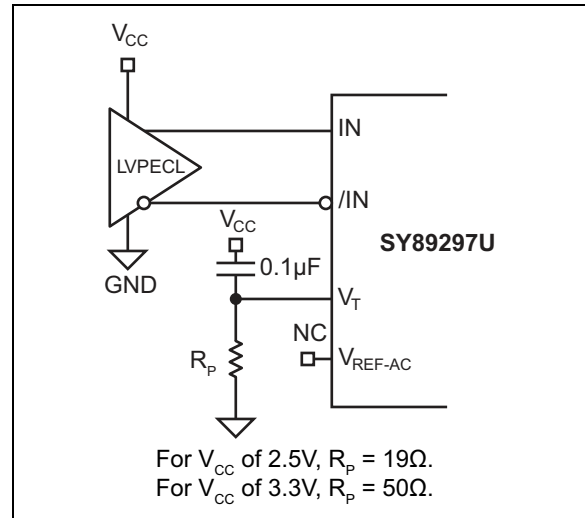
**FIGURE 7-1:** CML Interface (DC-Coupled).



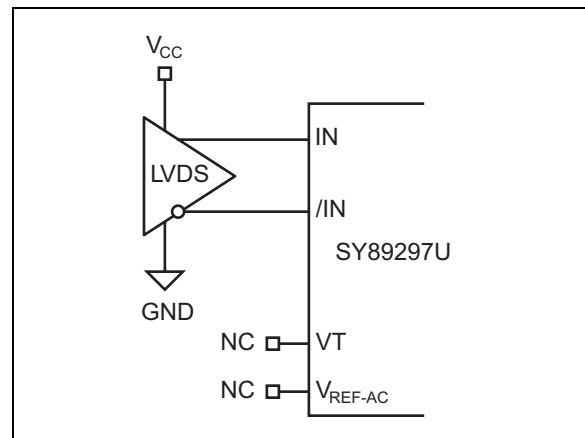
**FIGURE 7-2:** CML Interface (AC-Coupled).



**FIGURE 7-3:** LVPECL Interface (AC-Coupled).

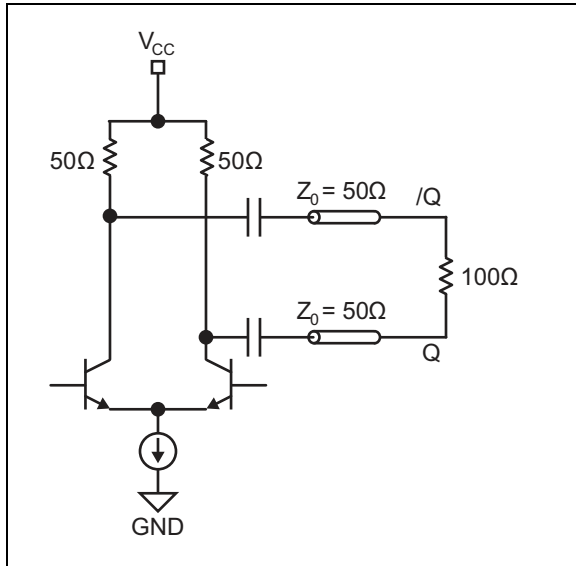


**FIGURE 7-4:** LVPECL Interface (DC-Coupled).

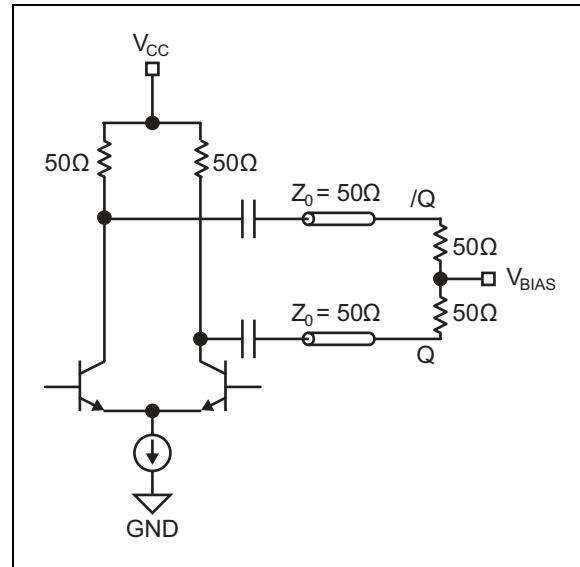


**FIGURE 7-5:** LVDS Interface (DC-Coupled).

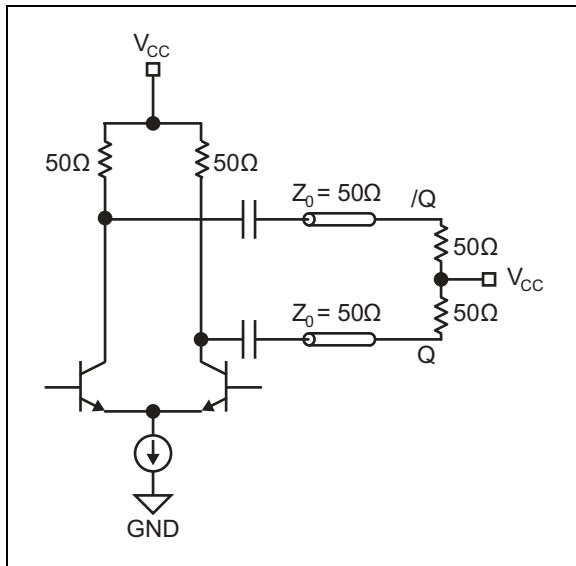
## 8.0 CML OUTPUT TERMINATION



**FIGURE 8-1:** CML AC-Coupled Termination – 100Ω Differential.



**FIGURE 8-3:** CML AC-Coupled Termination – 50Ω to  $V_{BIAS}$ .



**FIGURE 8-2:** CML AC-Coupled Termination – 50Ω to  $V_{CC}$ .



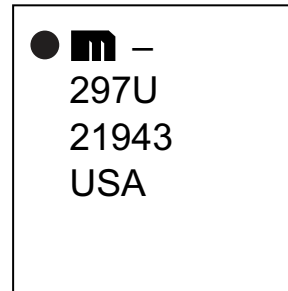
## 9.0 PACKAGING INFORMATION

### 9.1 Package Marking Information

24-Lead QFN\*



Example



<b>Legend:</b>	XX...X	Product code or customer-specific information
	Y	Year code (last digit of calendar year)
	YY	Year code (last 2 digits of calendar year)
	WW	Week code (week of January 1 is week '01')
	NNN	Alphanumeric traceability code
	COO	Country of Origin
	(e3)	Pb-free JEDEC® designator for Matte Tin (Sn)
	*	This package is Pb-free. The Pb-free JEDEC designator (e3) can be found on the outer packaging for this package.
	•, ▲, ▼	Pin one index is identified by a dot, delta up, or delta down (triangle mark).
<b>Note:</b>	In the event the full Microchip part number cannot be marked on one line, it will be carried over to the next line, thus limiting the number of available characters for customer-specific information. Package may or may not include the corporate logo.	
	Underbar (¯) and/or Overbar (¯) symbol may not be to scale.	

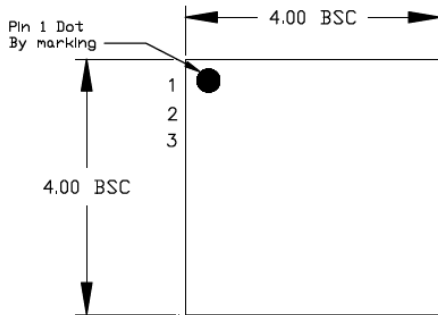
# SY89297U

## 24-Lead 4 mm x 4 mm QFN Package Outline and Recommended Land Pattern

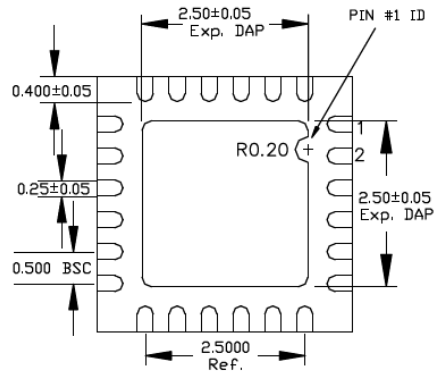
**TITLE**

24 LEAD QFN 4x4mm PACKAGE OUTLINE & RECOMMENDED LAND PATTERN

DRAWING #	QFN44-24LD-PL-1	UNIT	MM
-----------	-----------------	------	----



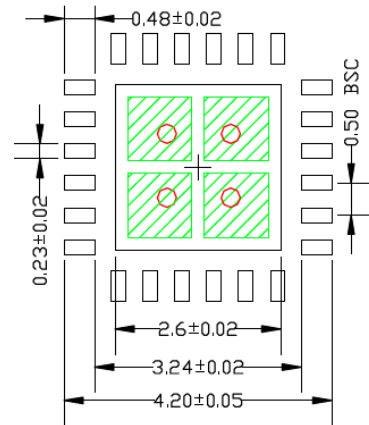
TOP VIEW  
NOTE: 1, 2, 3



BOTTOM VIEW  
NOTE: 1, 2, 3



SIDE VIEW  
NOTE: 1, 2, 3



RECOMMENDED LAND PATTERN  
NOTE: 4, 5

**NOTE:**

1. MAX PACKAGE WARPAGE IS 0.05 MM
2. MAX ALLOWABLE BURR IS 0.076MM IN ALL DIRECTIONS
3. PIN #1 IS ON TOP WILL BE LASER MARKED
4. RED CIRCLE IN LAND PATTERN INDICATE THERMAL VIA. SIZE SHOULD BE 0.30-0.35MM IN DIAMETER AND SHOULD BE CONNECTED TO GND FOR MAX THERMAL PERFORMANCE
5. GREEN RECTANGLES (SHADED AREA) INDICATE SOLDER STENCIL OPENING ON EXPOSED PAD AREA. SIZE SHOULD BE 1.00x1.00 MM IN SIZE, 1.20 MM PITCH.

Note: For the most current package drawings, please see the Microchip Packaging Specification located at <http://www.microchip.com/packaging>.

## APPENDIX A: REVISION HISTORY

### Revision A (January 2018)

- Converted Micrel document SY89297U to Microchip data sheet DS20005835A.
- Minor text changes throughout.

# SY89297U

---

NOTES:

## PRODUCT IDENTIFICATION SYSTEM

To order or obtain information, e.g., on pricing or delivery, contact your local Microchip representative or sales office.

<b>PART NO.</b>	<b>X</b>	<b>X</b>	<b>X</b>	<b>-XX</b>
<b>Device</b>	<b>Voltage Option</b>	<b>Package</b>	<b>Temperature Range</b>	<b>Special Processing</b>
<b>Device:</b>	SY89297:	2.5V/3.3V, 3.2 Gbps Precision CML Dual-Channel Programmable Delay		
<b>Voltage Option:</b>	U	=	2.5V/3.3V	
<b>Package:</b>	M	=	24-Lead 4 mm x 4 mm QFN	
<b>Temperature Range:</b>	G	=	-40°C to +85°C (Pb-Free NiPdAu)	
	H	=	-40°C to +75°C (Pb-Free NiPdAu)	
<b>Special Processing:</b>	<blank>=		75/Tube	
	TR	=	1,000/Reel	

<b>Examples:</b>	
a) SY89297UMG:	2.5V/3.3V, 3.2 Gbps Precision CML Dual-Channel Programmable Delay, 2.5V/3.3V, 24-Lead 4 mm x 4 mm QFN, -40°C to +85°C (Pb-Free NiPdAu), 75/Tube
b) SY89297UMG-TR:	2.5V/3.3V, 3.2 Gbps Precision CML Dual-Channel Programmable Delay, 2.5V/3.3V, 24-Lead 4 mm x 4 mm QFN, -40°C to +85°C (Pb-Free NiPdAu), 1,000/Reel
c) SY89297UMH:	2.5V/3.3V, 3.2 Gbps Precision CML Dual-Channel Programmable Delay, 2.5V/3.3V, 24-Lead 4 mm x 4 mm QFN, -40°C to +75°C (Pb-Free NiPdAu), 75/Tube
b) SY89297UMH-TR:	2.5V/3.3V, 3.2 Gbps Precision CML Dual-Channel Programmable Delay, 2.5V/3.3V, 24-Lead 4 mm x 4 mm QFN, -40°C to +75°C (Pb-Free NiPdAu), 1,000/Reel

**Note 1:** Tape and Reel identifier only appears in the catalog part number description. This identifier is used for ordering purposes and is not printed on the device package. Check with your Microchip Sales Office for package availability with the Tape and Reel option.

# SY89297U

---

NOTES:

---

---

**Note the following details of the code protection feature on Microchip devices:**

- Microchip products meet the specification contained in their particular Microchip Data Sheet.
- Microchip believes that its family of products is one of the most secure families of its kind on the market today, when used in the intended manner and under normal conditions.
- There are dishonest and possibly illegal methods used to breach the code protection feature. All of these methods, to our knowledge, require using the Microchip products in a manner outside the operating specifications contained in Microchip's Data Sheets. Most likely, the person doing so is engaged in theft of intellectual property.
- Microchip is willing to work with the customer who is concerned about the integrity of their code.
- Neither Microchip nor any other semiconductor manufacturer can guarantee the security of their code. Code protection does not mean that we are guaranteeing the product as “unbreakable.”

Code protection is constantly evolving. We at Microchip are committed to continuously improving the code protection features of our products. Attempts to break Microchip's code protection feature may be a violation of the Digital Millennium Copyright Act. If such acts allow unauthorized access to your software or other copyrighted work, you may have a right to sue for relief under that Act.

---

Information contained in this publication regarding device applications and the like is provided only for your convenience and may be superseded by updates. It is your responsibility to ensure that your application meets with your specifications. MICROCHIP MAKES NO REPRESENTATIONS OR WARRANTIES OF ANY KIND WHETHER EXPRESS OR IMPLIED, WRITTEN OR ORAL, STATUTORY OR OTHERWISE, RELATED TO THE INFORMATION, INCLUDING BUT NOT LIMITED TO ITS CONDITION, QUALITY, PERFORMANCE, MERCHANTABILITY OR FITNESS FOR PURPOSE. Microchip disclaims all liability arising from this information and its use. Use of Microchip devices in life support and/or safety applications is entirely at the buyer's risk, and the buyer agrees to defend, indemnify and hold harmless Microchip from any and all damages, claims, suits, or expenses resulting from such use. No licenses are conveyed, implicitly or otherwise, under any Microchip intellectual property rights unless otherwise stated.

*Microchip received ISO/TS-16949:2009 certification for its worldwide headquarters, design and wafer fabrication facilities in Chandler and Tempe, Arizona; Gresham, Oregon and design centers in California and India. The Company's quality system processes and procedures are for its PIC® MCUs and dsPIC® DSCs, KEELOQ® code hopping devices, Serial EEPROMs, microperipherals, nonvolatile memory and analog products. In addition, Microchip's quality system for the design and manufacture of development systems is ISO 9001:2000 certified.*

**QUALITY MANAGEMENT SYSTEM  
CERTIFIED BY DNV  
= ISO/TS 16949 =**

### Trademarks

The Microchip name and logo, the Microchip logo, AnyRate, AVR, AVR logo, AVR Freaks, BeaconThings, BitCloud, CryptoMemory, CryptoRF, dsPIC, FlashFlex, flexPWR, Heldo, JukeBlox, KEELOQ, KEELOQ logo, Klear, LANCheck, LINK MD, maXStylus, maXTouch, MediaLB, megaAVR, MOST, MOST logo, MPLAB, OptoLyzer, PIC, picoPower, PICSTART, PIC32 logo, Prochip Designer, QTouch, RightTouch, SAM-BA, SpyNIC, SST, SST Logo, SuperFlash, tinyAVR, UNI/O, and XMEGA are registered trademarks of Microchip Technology Incorporated in the U.S.A. and other countries.

ClockWorks, The Embedded Control Solutions Company, EtherSynch, Hyper Speed Control, HyperLight Load, IntelliMOS, mTouch, Precision Edge, and Quiet-Wire are registered trademarks of Microchip Technology Incorporated in the U.S.A.

Adjacent Key Suppression, AKS, Analog-for-the-Digital Age, Any Capacitor, AnyIn, AnyOut, BodyCom, chipKIT, chipKIT logo, CodeGuard, CryptoAuthentication, CryptoCompanion, CryptoController, dsPICDEM, dsPICDEM.net, Dynamic Average Matching, DAM, ECAN, EtherGREEN, In-Circuit Serial Programming, ICSP, Inter-Chip Connectivity, JitterBlocker, KlearNet, KlearNet logo, Mindi, MiWi, motorBench, MPASM, MPF, MPLAB Certified logo, MPLIB, MPLINK, MultiTRAK, NetDetach, Omniscient Code Generation, PICDEM, PICDEM.net, PICKit, PICtail, PureSilicon, QMatrix, RightTouch logo, REAL ICE, Ripple Blocker, SAM-ICE, Serial Quad I/O, SMART-I.S., SQI, SuperSwitcher, SuperSwitcher II, Total Endurance, TSHARC, USBCheck, VariSense, ViewSpan, WiperLock, Wireless DNA, and ZENA are trademarks of Microchip Technology Incorporated in the U.S.A. and other countries.

SQTP is a service mark of Microchip Technology Incorporated in the U.S.A.

Silicon Storage Technology is a registered trademark of Microchip Technology Inc. in other countries.

GestIC is a registered trademark of Microchip Technology Germany II GmbH & Co. KG, a subsidiary of Microchip Technology Inc., in other countries.

All other trademarks mentioned herein are property of their respective companies.

© 2018, Microchip Technology Incorporated, All Rights Reserved.  
ISBN: 978-1-5224-2520-5



# MICROCHIP

## Worldwide Sales and Service

### AMERICAS

**Corporate Office**  
2355 West Chandler Blvd.  
Chandler, AZ 85224-6199  
Tel: 480-792-7200  
Fax: 480-792-7277  
Technical Support:  
<http://www.microchip.com/support>  
Web Address:  
[www.microchip.com](http://www.microchip.com)

#### Atlanta

Duluth, GA  
Tel: 678-957-9614  
Fax: 678-957-1455

#### Austin, TX

Tel: 512-257-3370

#### Boston

Westborough, MA  
Tel: 774-760-0087  
Fax: 774-760-0088

#### Chicago

Itasca, IL  
Tel: 630-285-0071  
Fax: 630-285-0075

#### Dallas

Addison, TX  
Tel: 972-818-7423  
Fax: 972-818-2924

#### Detroit

Novi, MI  
Tel: 248-848-4000

#### Houston, TX

Tel: 281-894-5983

#### Indianapolis

Noblesville, IN  
Tel: 317-773-8323  
Fax: 317-773-5453  
Tel: 317-536-2380

#### Los Angeles

Mission Viejo, CA  
Tel: 949-462-9523  
Fax: 949-462-9608  
Tel: 951-273-7800

#### Raleigh, NC

Tel: 919-844-7510

#### New York, NY

Tel: 631-435-6000

#### San Jose, CA

Tel: 408-735-9110  
Tel: 408-436-4270

#### Canada - Toronto

Tel: 905-695-1980  
Fax: 905-695-2078

### ASIA/PACIFIC

**Australia - Sydney**  
Tel: 61-2-9868-6733

**China - Beijing**  
Tel: 86-10-8569-7000

**China - Chengdu**  
Tel: 86-28-8665-5511

**China - Chongqing**  
Tel: 86-23-8980-9588

**China - Dongguan**  
Tel: 86-769-8702-9880

**China - Guangzhou**  
Tel: 86-20-8755-8029

**China - Hangzhou**  
Tel: 86-571-8792-8115

**China - Hong Kong SAR**  
Tel: 852-2943-5100

**China - Nanjing**  
Tel: 86-25-8473-2460

**China - Qingdao**  
Tel: 86-532-8502-7355

**China - Shanghai**  
Tel: 86-21-3326-8000

**China - Shenyang**  
Tel: 86-24-2334-2829

**China - Shenzhen**  
Tel: 86-755-8864-2200

**China - Suzhou**  
Tel: 86-186-6233-1526

**China - Wuhan**  
Tel: 86-27-5980-5300

**China - Xian**  
Tel: 86-29-8833-7252

**China - Xiamen**  
Tel: 86-592-2388138

**China - Zhuhai**  
Tel: 86-756-3210040

### ASIA/PACIFIC

**India - Bangalore**  
Tel: 91-80-3090-4444

**India - New Delhi**  
Tel: 91-11-4160-8631

**India - Pune**  
Tel: 91-20-4121-0141

**Japan - Osaka**  
Tel: 81-6-6152-7160

**Japan - Tokyo**  
Tel: 81-3-6880-3770

**Korea - Daegu**  
Tel: 82-53-744-4301

**Korea - Seoul**  
Tel: 82-2-554-7200

**Malaysia - Kuala Lumpur**  
Tel: 60-3-7651-7906

**Malaysia - Penang**  
Tel: 60-4-227-8870

**Philippines - Manila**  
Tel: 63-2-634-9065

**Singapore**  
Tel: 65-6334-8870

**Taiwan - Hsin Chu**  
Tel: 886-3-577-8366

**Taiwan - Kaohsiung**  
Tel: 886-7-213-7830

**Taiwan - Taipei**  
Tel: 886-2-2508-8600

**Thailand - Bangkok**  
Tel: 66-2-694-1351

**Vietnam - Ho Chi Minh**  
Tel: 84-28-5448-2100

### EUROPE

**Austria - Wels**  
Tel: 43-7242-2244-39  
Fax: 43-7242-2244-393

**Denmark - Copenhagen**  
Tel: 45-4450-2828  
Fax: 45-4485-2829

**Finland - Espoo**  
Tel: 358-9-4520-820

**France - Paris**  
Tel: 33-1-69-53-63-20  
Fax: 33-1-69-30-90-79

**Germany - Garching**  
Tel: 49-8931-9700

**Germany - Haan**  
Tel: 49-2129-3766400

**Germany - Heilbronn**  
Tel: 49-7131-67-3636

**Germany - Karlsruhe**  
Tel: 49-721-625370

**Germany - Munich**  
Tel: 49-89-627-144-0  
Fax: 49-89-627-144-44

**Germany - Rosenheim**  
Tel: 49-8031-354-560

**Israel - Ra'anana**  
Tel: 972-9-744-7705

**Italy - Milan**  
Tel: 39-0331-742611  
Fax: 39-0331-466781

**Italy - Padova**  
Tel: 39-049-7625286

**Netherlands - Drunen**  
Tel: 31-416-690399  
Fax: 31-416-690340

**Norway - Trondheim**  
Tel: 47-7289-7561

**Poland - Warsaw**  
Tel: 48-22-3325737

**Romania - Bucharest**  
Tel: 40-21-407-87-50

**Spain - Madrid**  
Tel: 34-91-708-08-90  
Fax: 34-91-708-08-91

**Sweden - Gothenberg**  
Tel: 46-31-704-60-40

**Sweden - Stockholm**  
Tel: 46-8-5090-4654

**UK - Wokingham**  
Tel: 44-118-921-5800  
Fax: 44-118-921-5820