

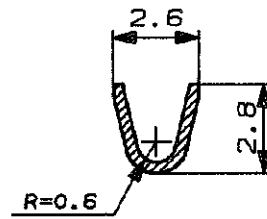
FOR AMP DO BRASIL ONLY

SCALA NON IMPEGNATIVA  
(DO NOT SCALE)  
DIMENSIONI IN mm  
(DIMENSIONS IN mm)

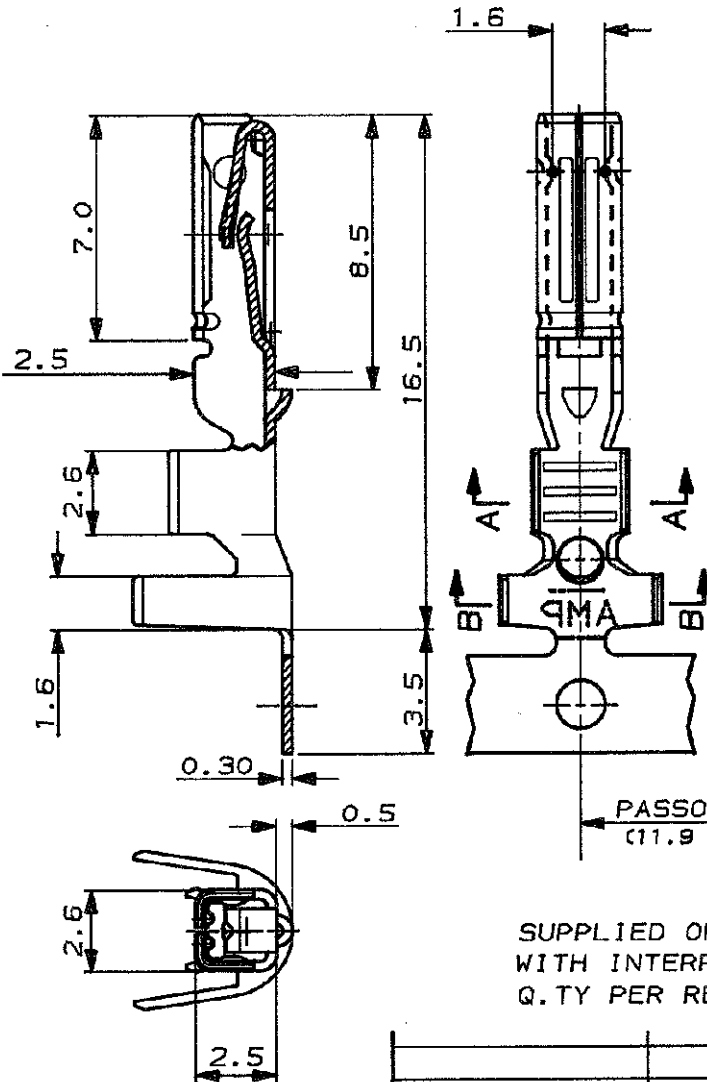
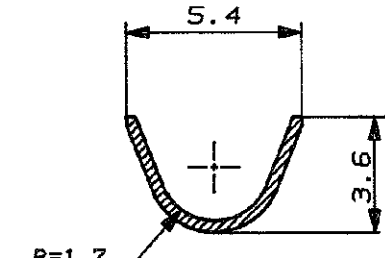
**METRIC**

PROIEZIONE EUROPEA  
(EUROPEAN PROJECTION)

PART. SECT. A-A



PART. SECT. B-B



DIR. OFF TOP OF REEL

PASSO 11.9  
(11.9 PITCH)

SUPPLIED ON 24'DIA CARTON REEL  
WITH INTERPOSED PAPER STRIP  
Q.TY PER REEL: 3500

PRE-STAGNATO (PRE-TIND)	BRONZO FOSF. (PH. BR.)	282438-1
FINITURA / COLORE (FINISH / COLOUR)	MATERIALE (MATERIAL)	NUMERO (PART NUMBER)

CUSTOMER DWG.  
FOR REFERENCE ONLY

DISEGNO PER CLIENTE  
SOLO PER RIFERIMENTO

THIS DRAWING IS UNPUBLISHED RELEASE FOR PUBLICATION 1990

© COPYRIGHT 1990 BY AMP INCORPORATED, HARRISBURG, PA. ALL INTERNATIONAL RIGHT RESERVED. AMP PRODUCTS MAY BE COVERED BY U.S. AND FOREIGN PATENT AND/OR PATENT PENDING.

TOLLERANZE, SE NON DIVERSAMENTE SPECIFICATO TOLERANCES, UNLESS OTHERWISE SPECIFIED	DIAM. ISOLANTE (INS. DIA. RANGE)	RANGO FILO (WIRE RANGE)	SCALA (SCALE)
± 0.3		0.5-1.0mm <sup>2</sup>	NO

ANGOLI  
(ANGLES) ± 2°

**AMP**

AMP ITALIA S.p.A.  
Corso F.lli Cervi, 15  
COLLENO (TORINO)

DIS. C. BERTINI  
(DR.) 1-07-92

DESCRIZIONE  
(DESCRIPTION)

MINI MIC SRS REC. CONTACT

DISTRIBUZIONE (PRINT DIST.)	A	IN PRODUCTION	A. B.	30-10-92
	2	UP-DATED	A. B.	1-8-92
	1	WAS C-92-51192	A. B.	21-7-92
	REV. DATA	REVISIONI (REVISION RECORD)	DIS. DATA (DR. DATE)	

LOC.	SIZE	NUMERO (CDSG NO)	REV.	FOLIO (SHEET)
I	A4	C-282438	A	1 DI 1