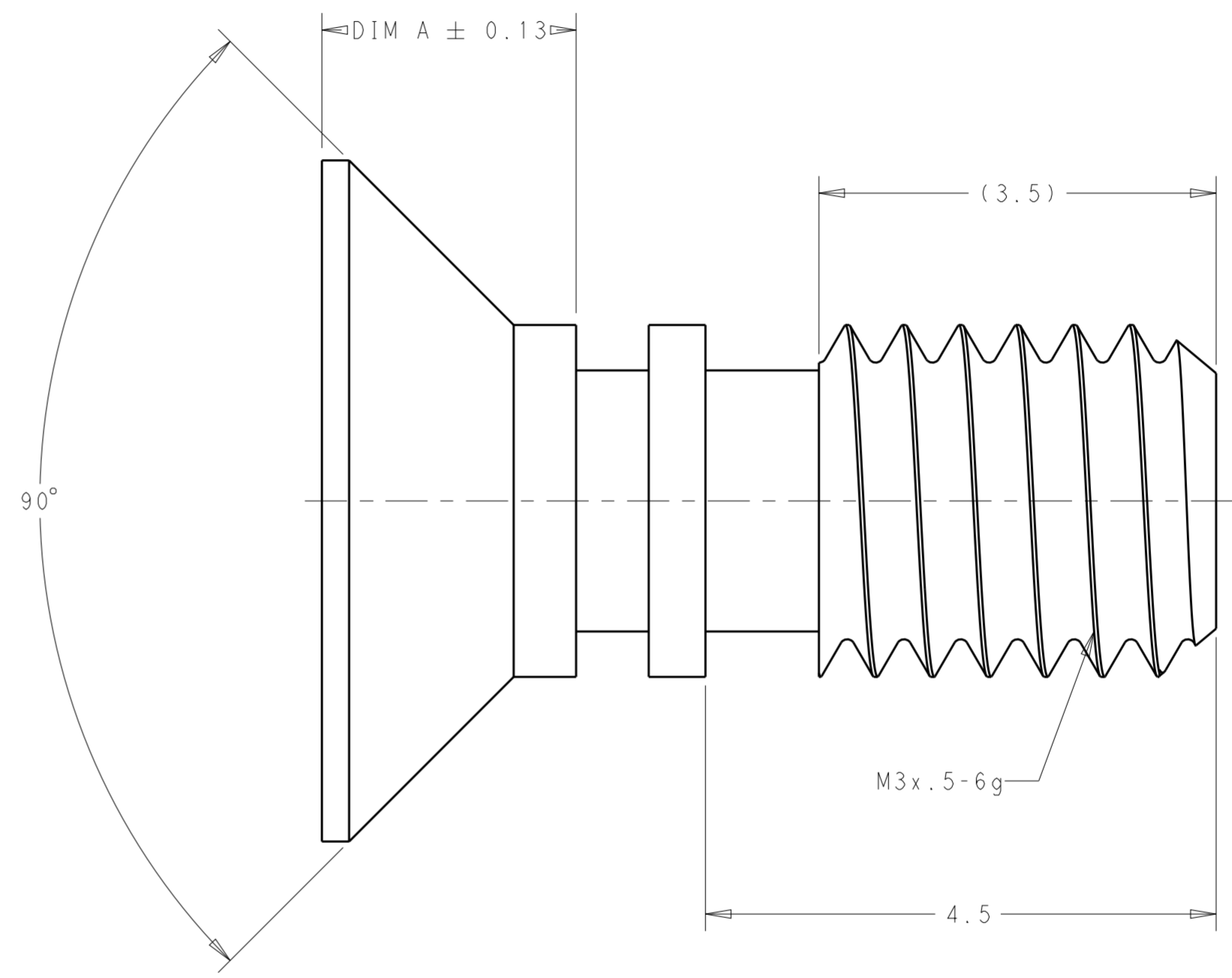
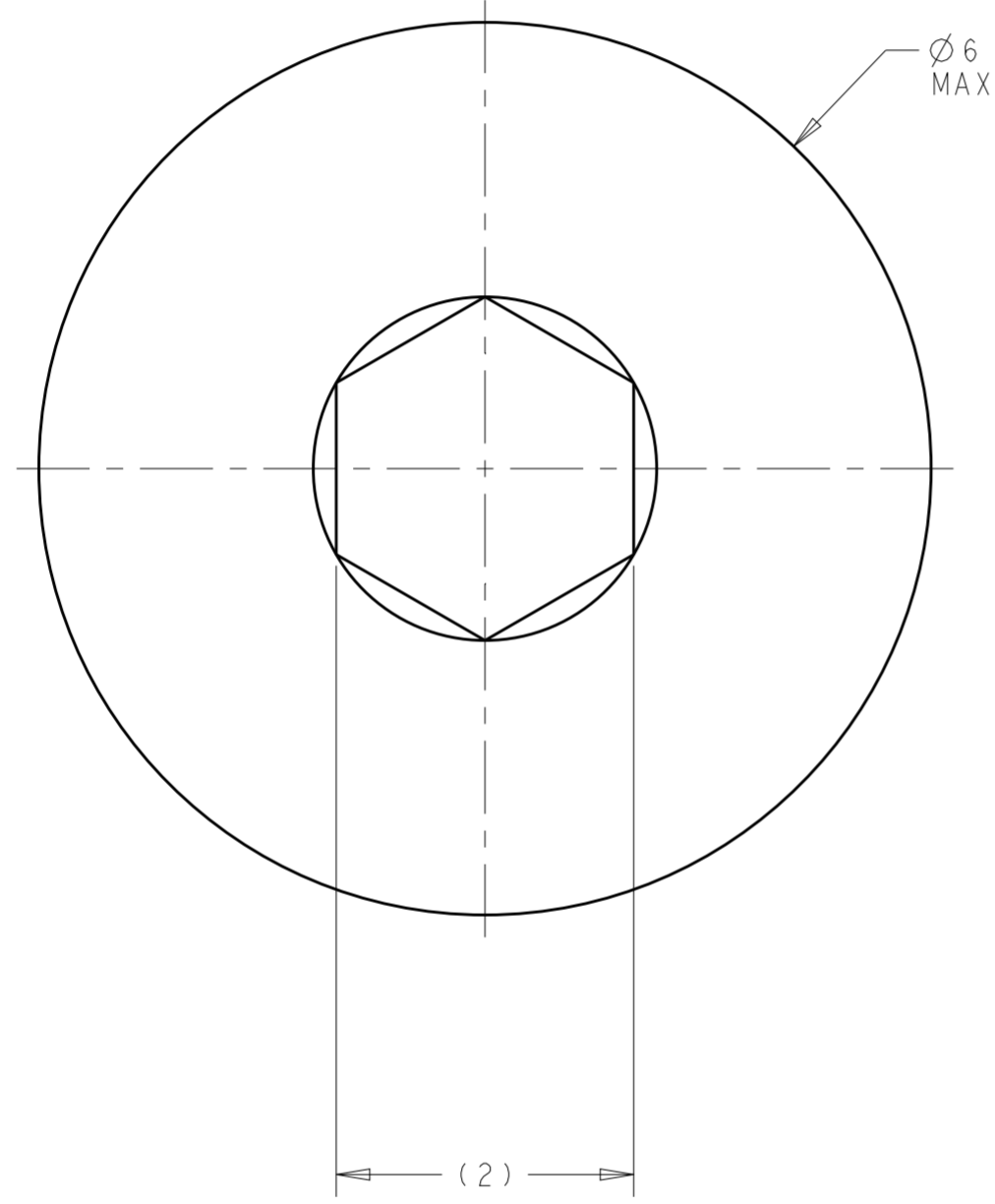


THIS DRAWING IS UNPUBLISHED. RELEASED FOR PUBLICATION 20  
 © COPYRIGHT 20 BY - ALL RIGHTS RESERVED.

REVISIONS				
P	LTR	DESCRIPTION	DATE	APVD
D		REV PER ECO 17-011785	8-22-17	CT DH



- 1 MAT'L: STAINLESS STEEL 304.
- 2 FINISH: PASSIVATED PER SAE-AMS-2700.
- 3. -PCB COUNTERSINK DIAMETER 6.4mm ±0.1

2.46mm [.097"]	2.59	2226666-2
2.60mm [.102"]	2.73	2226666-1
MAX PCB THICKNESS	DIM A	PART NUMBER

THIS DRAWING IS A CONTROLLED DOCUMENT.		DWN D. BELACK	29 JUN 2015	TE Connectivity	
DIMENSIONS: mm		CHK -	-	NAME JACK SCREW, MEZALOK, M3x.5	
TOLERANCES UNLESS OTHERWISE SPECIFIED:		APVD N. RUFFINI	29 JUN 2015	SIZE A2	
0 PLC ±-	1 PLC ±0.13	PRODUCT SPEC	-	CAGE CODE	DRAWING NO
2 PLC ±0.05	3 PLC ±-	APPLICATION SPEC	-	-	-
4 PLC ±-	ANGLES ±-	WEIGHT	-	SCALE	RESTRICTED TO
MATERIAL	FINISH	CUSTOMER DRAWING		10:1	SHEET 1 OF 1
1	2				REV D