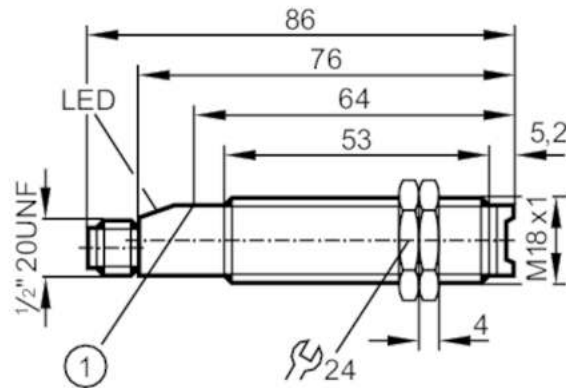




Through-beam sensor transmitter

OGS-000A/LS-100-AK



1 pushbutton without function



Product characteristics

Type of light	infrared light
Housing	threaded type

Application

Function principle	Through-beam sensor
--------------------	---------------------

Electrical data

Frequency AC	[Hz]	47...63
Operating voltage	[V]	20...250 AC/DC
Current consumption	[mA]	< 5
Protection class		II
Type of light		infrared light
Wave length	[nm]	880

Outputs

Short-circuit protection	no
Overload protection	no

Detection zone

Transmitter / receiver	transmitter	
Range	[m]	< 15
Range adjustable	no	
Max. light spot diameter	[mm]	2000
Light spot dimensions refer to	at maximum range	

Operating conditions

Ambient temperature	[°C]	-25...80
Protection		IP 67

Tests / approvals

EMC	EN 60947-5-2	
MTTF	[years]	1662

OG0030



Through-beam sensor transmitter

OGS-000A/LS-100-AK

Mechanical data	
Weight [g]	38
Housing	threaded type
Dimensions [mm]	M18 x 1 / L = 76
Thread designation	M18 x 1
Materials	PBT
Lens material	PMMA

Displays / operating elements	
Display	operation 1 x LED, green

Accessories	
Items supplied	lock nuts: 2

Remarks	
Pack quantity	1 pcs.

Electrical connection

Connector: 1 x 1/2"; coding: C



Connection

