

REV.	DESCRIPTION	DATE	APPROVED
F	23900 FIND NO 11 P/N WAS 39529-001	94/04/05	RS
G	27476 WEIGHT MAX WAS 40 LBS	95/03/25	RS
H	35451 NOTE 5 ADDED	98/05/04	RS
J	39516 'BOEING' ADDED TO VIB SPEC, SHOCK & CONNECTOR P/N, 87 MIN ADDED	99/05/11	RS
K	0227-03 .05 REF WAS .05	03/02/26	CC

CONSTRUCTION

MAIN CONTACTS  
 VOLTAGE RES.  
 CURRENT RES.  
 SUB TRANSIENT SHORT CIRCUIT INTERRUPT

AUXILIARY CONTACTS  
 CONFIGURATION VOLTAGE CURRENT

COIL DATA  
 DUTY CYCLE OPERATING VOLTAGE PICKUP NOMINAL DROPOUT CURRENT PICKUP HOLD

ENVIRONMENTAL DATA  
 OPERATING TEMP. VIBRATION ACCELERATION SHOCK ALTITUDE OPERATE TIME PICKUP DROPOUT LIFE ELECTRICAL LIFE MECHANICAL WEIGHT MAX.

GASKET SEALED (VENTED)  
 3PST N.O. (DOUBLE BREAK)  
 115/200 VOLTS FREQ. 400 HZ.  
 275 AMP 115/200 VAC CONTINUOUS  
 350 AMP 115/200 VAC FOR 5 MINS.  
 450 AMP 115/200 VAC FOR 5 SECONDS.  
 4000 AMP SHORT CIRCUIT INTERRUPT  
 2800 AMP 3500 AMP

FAA-PMA

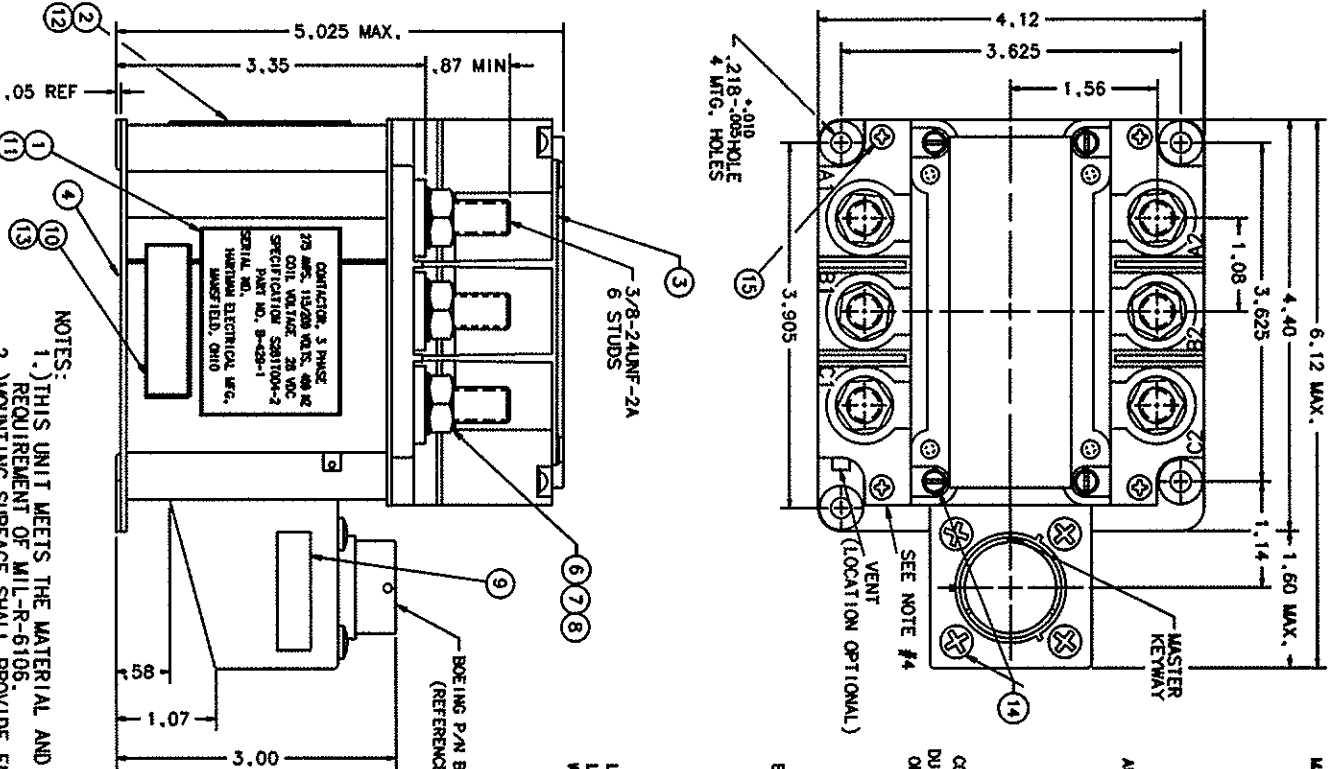
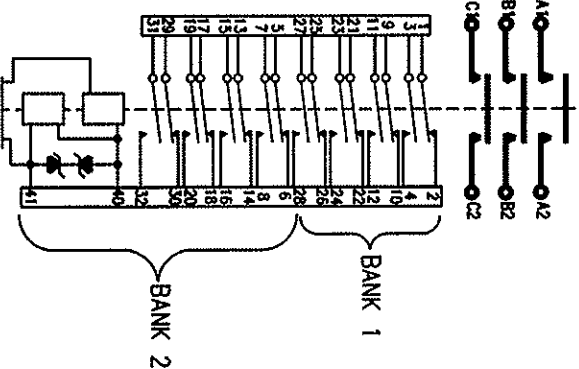
8 SPST N.O., 8 SPST N.C.  
 1.2, 3, 4 9, 10, 11, 12 17, 18, 19, 20 25, 26, 27, 28  
 5, 6, 7, 8 13, 14, 15, 16 21, 22, 23, 24 29, 30, 31, 32  
 .01 7.5 7.5 1  
 28 VDC 28 VDC 28 VDC 240 VAC

CONTINUOUS (ECONOMIZING)

15 TO 37.5 VDC  
 15 VOLTS  
 28 VOLTS  
 1.5 TO 10 VDC  
 6 AMPS MAX.  
 .6 AMPS MAX.

-55°C MIN., +85°C MAX.  
 PER BOEING DB-44589-22, CAT. A  
 MIL STD-883C METHOD 513.2  
 PER BOEING DB-44589 PARA 2.3  
 45,000 FT.

20 MSEC MAX. AT 20VDC  
 20 MSEC MAX. AT 20VDC  
 50,000 CYCLES MIN.  
 100,000 CYCLES MIN.  
 4.0 LBS.



NOTES:

- THIS UNIT MEETS THE MATERIAL AND WORKMANSHIP REQUIREMENT OF MIL-R-6106.
- MOUNTING SURFACE SHALL PROVIDE ELECTRICAL GROUND.
- TERMINAL COVER ITEM #3 REMOVED FROM TOP VIEW.
- EFFECTIVE WITH S/N C030086 FOUR COVER SCREWS WILL BE COUNTERSUNK BELOW THE BASE LEVEL.
- FAA/PMA PLATE (AND OVERLAY) NOT REQUIRED ON UNITS SUPPLIED TO ORIGINAL EQUIPMENT MANUFACTURERS.

REV.	DESCRIPTION	DATE	APPROVED
15	AR 54100-001 SILASTIC		
14	AR 54102-001 GLYPTOL		
13	39529-024 OVERLAY FAA/PMA		
12	39529-008 OVERLAY-WIRING DIAGRAM		
11	39529-009 OVERLAY-NAMEPLATE		
10	58400-028 PLATE - FAA/PMA		
9	125695-001 PLATE - WARNING		
8	51807-230 WASHER-LOCK .375 X .687 X .094 SPLIT		MS3538-141 ST. STEEL
7	51704-010 WASHER .390 X .625 X .032 FLAT		AN960C6161 ST. STEEL
6	50407-370 NUT 3/8-24 X .562 X .328 HEX.		MS51972-3 ST. STEEL
5			
4	35924-020 CONTACTOR ASSEMBLY PRI.		
3	36006-010 COVER-TERMINAL ASSEMBLY		
2	35935-001 PLATE -WIRING DIAGRAM		
1	40190-001 PLATE-NAME		
1	1		
1	1		

REV.	DESCRIPTION	DATE	APPROVED
2	PL. DEC. 13 PL. DEC. ANGLES		
1	1		
1	1		

REF. BOEING S281T004-2	REF. BOEING S281T004-2
DR BY CSC 103/03/05	DR BY CSC 103/03/05
CHK BY CC 03/03/06	CHK BY CC 03/03/06
ENGR AS 03-03-06	ENGR AS 03-03-06
SIZE 1/8	SIZE 1/8
DATE 03-03-07	DATE 03-03-07
SCALE NONE SHEET	SCALE NONE SHEET



23 Hortonville, Ohio 44022  
 CONTACTOR - 3PST N.O.  
 275 AMP 115/200V, 400 HZ

DWG NO. B-429-1

REF TYCO P/N 0-1616005-1