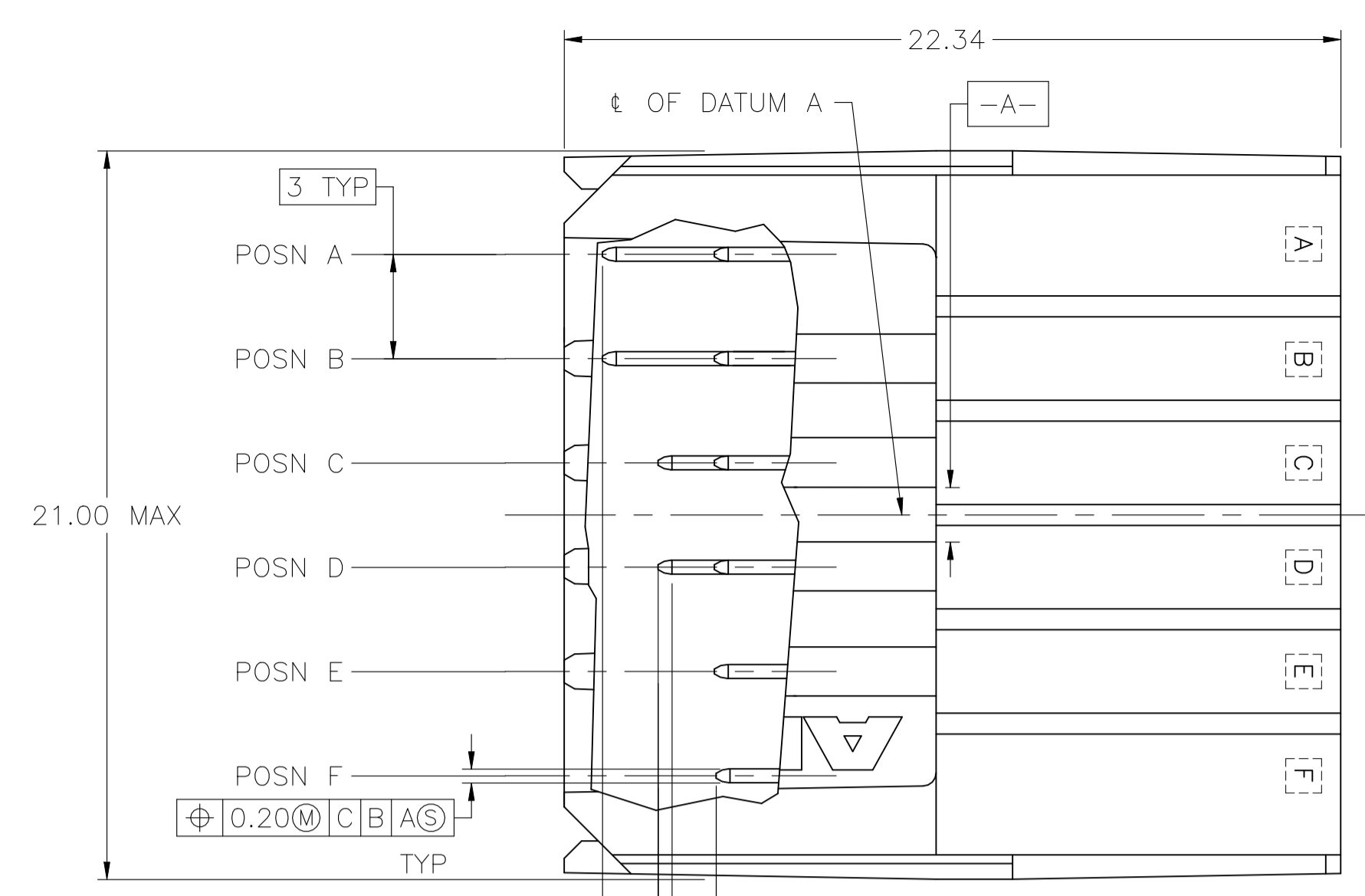
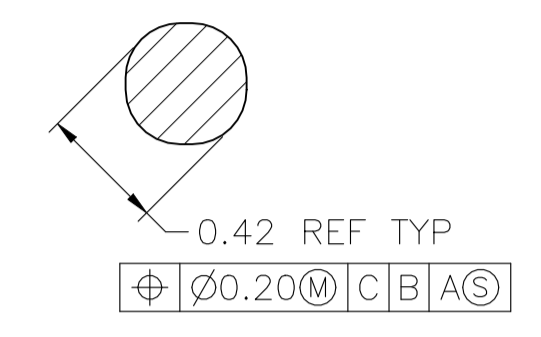


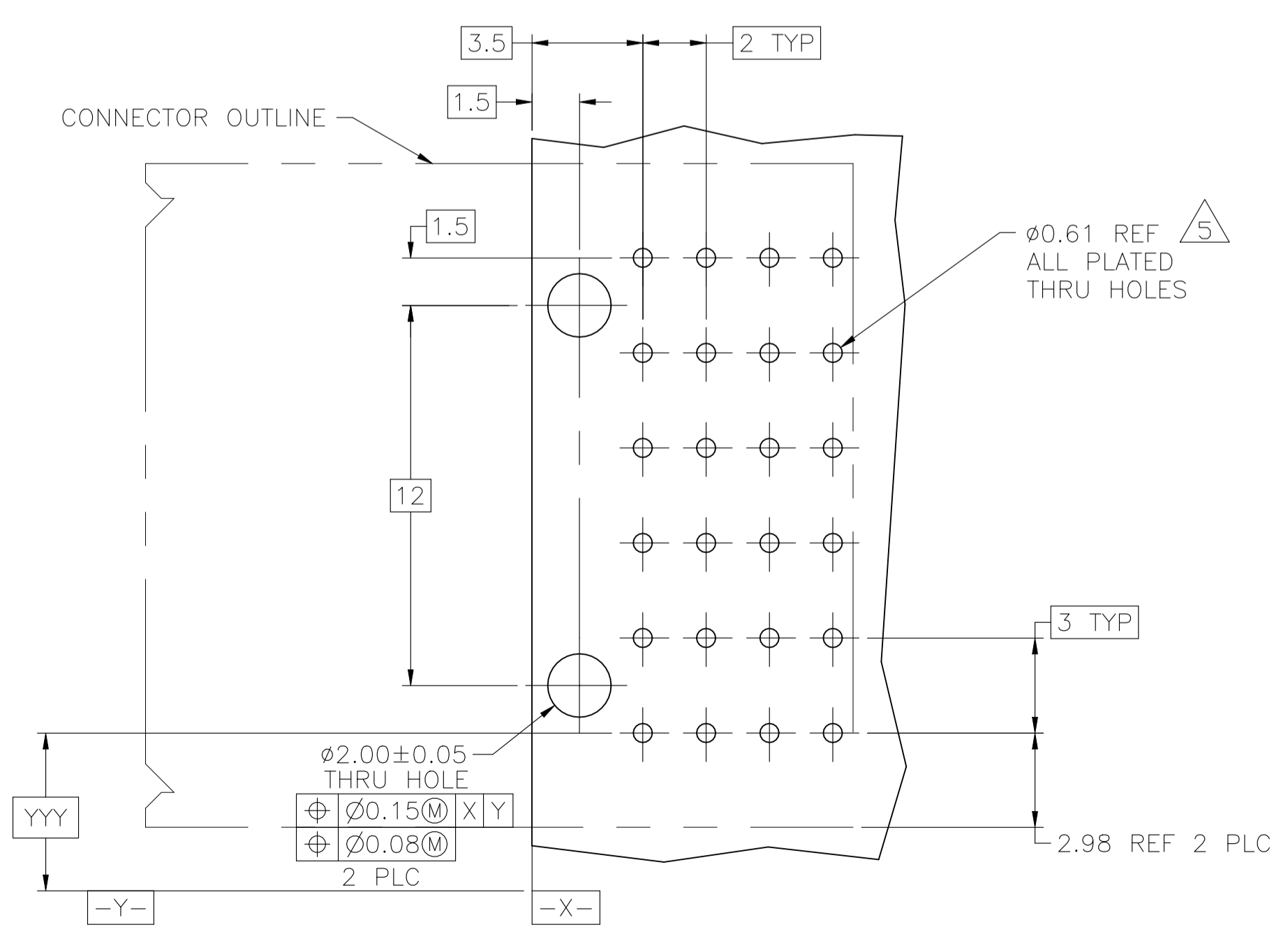
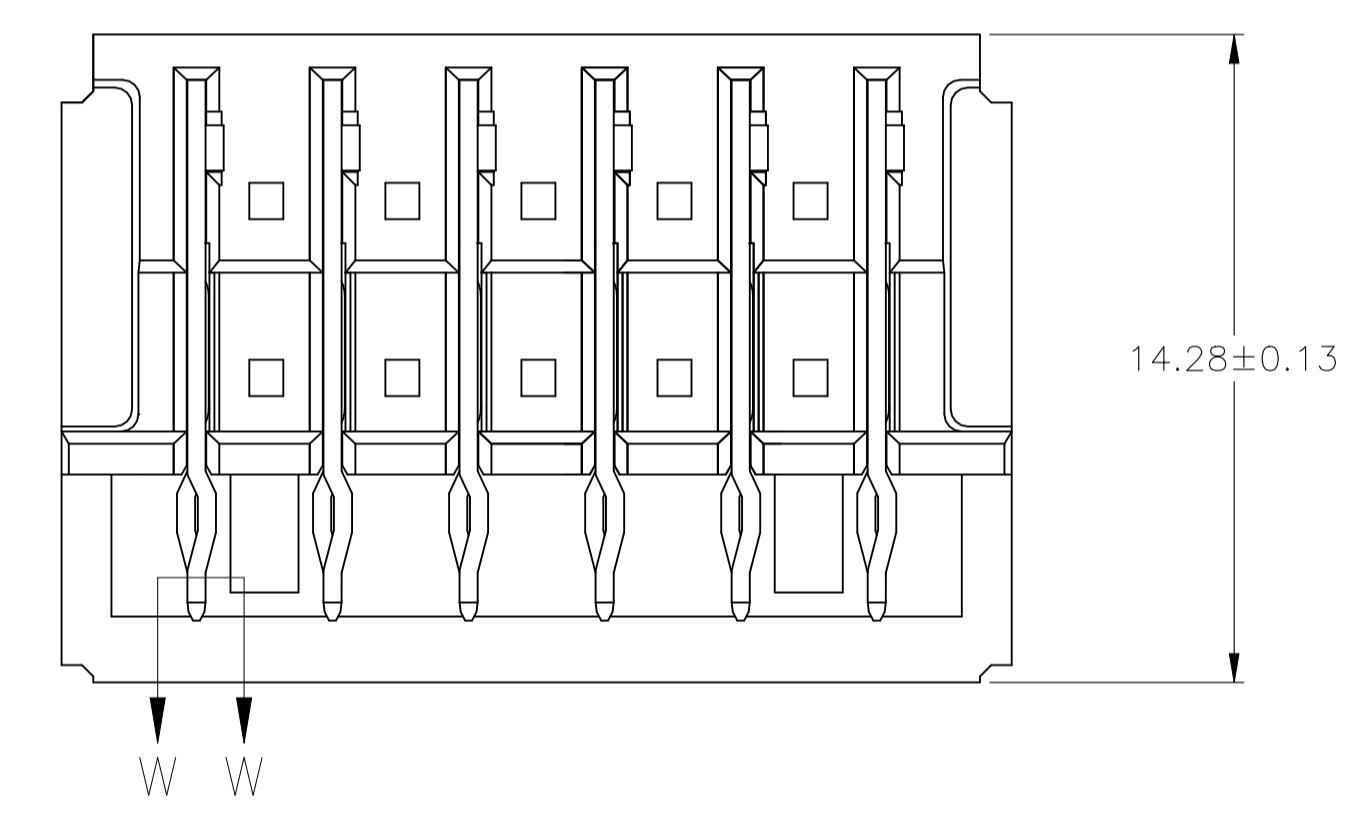
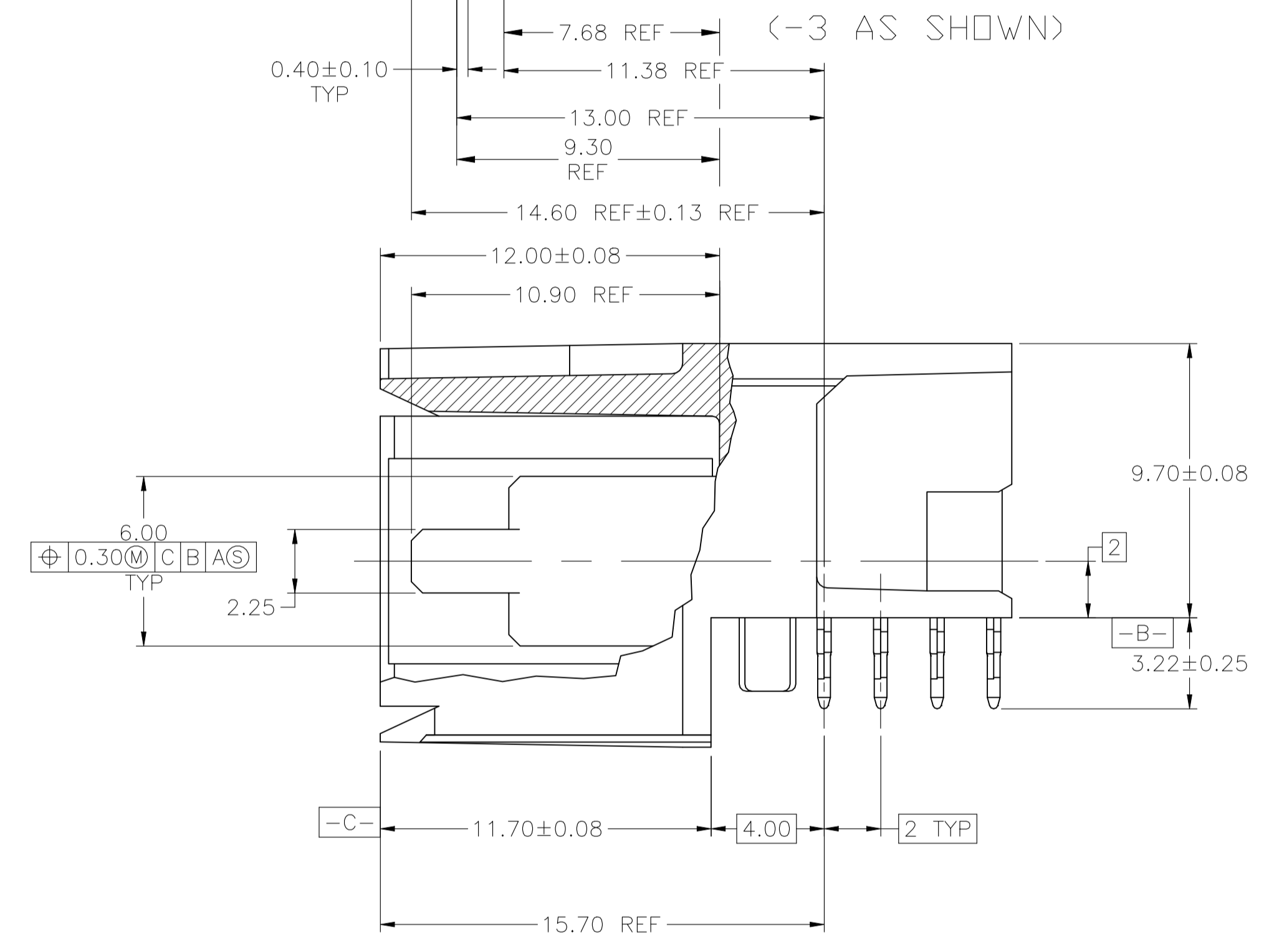
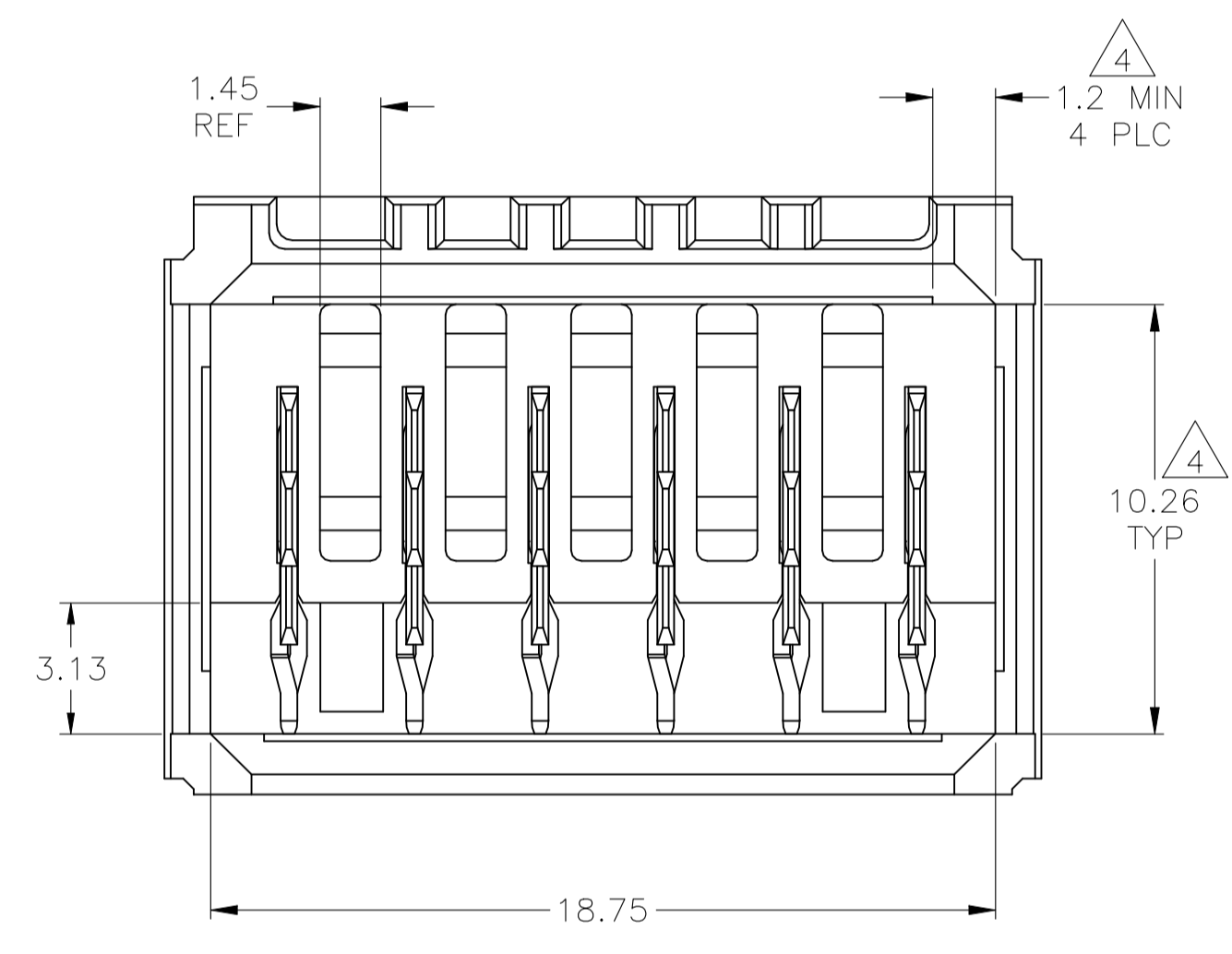
REVISIONS					
REV	DESCRIPTION	DATE	BY	CHK	APP
E7	ADDED -53	17APR2023	DP	HW	



SECTION W-W
SCALE 40:1



- 1 MATERIAL: HOUSING: POLYESTER. COLOR: GRAY. UL 94V-0. CONTACT: COPPER ALLOY.
- 2 FINISH: IN ACCORDANCE WITH PRODUCT SPECIFICATION 108-1651, GOLD PLATING OR EQUIVALENT PLATING ON PRODUCT CONTACT MATING AREA, AND MATTE TIN PLATING ON COMPLIANT PIN AREA, ALL OVER MATTE NICKEL UNDERPLATED. DETAIL PLEASE REFER TO PRODUCT SPECIFICATION 108-1651.
- 3 FINISH: CONTACT LUBRICATION WITH BELLCORE APPROVED LUBRICANT. TECHNICAL REFERENCE: GR-1217-CORE, ISSUE 1, NOVEMBER 1995.
- 4 THE 10.26 ± 0.13 DIMENSION APPLIES IN THIS AREA.
- 5 REFERENCE APPLICATION SPEC 114-1103 FOR RECOMMENDED PLATED THRU HOLE DIAMETER AND PLATING THICKNESS.
- 6. CURRENT RATING 10A/CONTACT PER PRODUCT SPEC 108-1651.
- 7 HALOGEN FREE PART



DELETED

FINISH	POSITIONS LOADED WITH 10.90 CONTACTS	POSITIONS LOADED WITH 9.30 CONTACTS	POSITIONS LOADED WITH 7.68 CONTACTS	NO OF LOADED POSITIONS	PART NUMBER
2	3	4	6	5-5646956-3	
2	3	4	6	5646956-8	
2	3	4	6	5646956-7	
2	3	4	6	5646956-6	
2	3	4	6	5646956-5	
2	3	4	6	5646956-4	
2	3	4	6	5646956-3	
2	3	4	6	5646956-2	
2	3	4	6	5646956-1	

THIS DRAWING IS A CONTROLLED DOCUMENT.

DIMENSIONS: mm	TOLERANCES UNLESS OTHERWISE SPECIFIED:	DIN R CARBO 04JAN05	NAME
0 PLC ± -	1 PLC ± 0.13	CHK R PATTERSON 04JAN05	ASSEMBLY, RIGHT ANGLE HEADER, W/ RETENTION PEGS, UNIVERSAL POWER MODULE
2 PLC ± 0.13	3 PLC ± -	APP'D R PATTERSON 04JAN05	PRODUCT SPEC 108-1651
4 PLC ± -	ANGLES ± -	APPLICATION SPEC 114-1103	SIZE CAGE CODE DRAWING NO
MATERIAL 1	FINISH 2	WEIGHT 0.000000	A1 00779 C=5646956
		CUSTOMER DRAWING	SCALE 6:1 SHEET 1 of 1 REV E7